

## Engineering Specification

Job Name \_\_\_\_\_

Contractor \_\_\_\_\_

Job Location \_\_\_\_\_

Approval \_\_\_\_\_

Engineer \_\_\_\_\_

Contractor's P.O. No. \_\_\_\_\_

Approval \_\_\_\_\_

Representative \_\_\_\_\_

# Cast Bronze Screwed, Solder, and Sil-Braze Ends Y Strainers

Models: 351M Screwed, Class 125  
352M Screwed, Class 250  
352½M Sil-Braze, Class 125  
358S Solder Joint, Class 125

Sizes: 1/4" - 4" (8 - 100mm)

### Typical Service

- Used to strain foreign matter from pipelines and provide economical protection for costly pumps, meters, valves, and other similar mechanical equipment.

### Features

- Machined seats in both body and cap align and lock the screen in place to stop sediment bypass.
- 352-½ conforms to Military specifications.
- 352-½ conforms to the latest revision of BuShip Drawing 80064-810-841499.
- All sizes of 352-½ are furnished grooved less rings.

### Self-Cleaning

- Self-cleaning is accomplished by opening the plug or valve connected to the blowoff outlet.

### Blowoff Outlets

- Outlets are NPT tapped.
- Sizes of tapping are specified on next page.
- Not normally furnished with plug. Plug is available, specify with order.
- BuShip Drawing strainers are supplied without blowoff outlets.

### Capacity

- Generously proportioned bodies.
- Open Area Ratio much greater than pipe size, ensuring low pressure drop.

Mueller Steam Specialty product specifications in U.S. customary units and metric are approximate and are provided for reference only. For precise measurements, please contact Mueller Steam Specialty Technical Service. Mueller Steam Specialty reserves the right to change or modify product design, construction, specifications, or materials without prior notice and without incurring any obligation to make such changes and modifications on Mueller Steam Specialty products previously or subsequently sold.



351M Screwed ends (shown)  
352M Screwed ends



358S Solder Joint



352-½MM Sil-Braze ends

### Pressure/Temperature - Non-Shock

Model	Material	Rating
351M	Bronze	200psi @ -20 to 150°F 13.8 bar @ 66°C 50psi @ 350°F 10.3 bar @ 177°C
352M	Bronze	400 psi @ -20 to 150°F 27.6 bar @ 66°C 300psi @ 350°F 20.7 bar @ 177°C
358S	Bronze	400psi @ -20 to 100°F 27.6 bar @ 37.8°C
352½	Bronze	250psi @ 425°F 17.2 bar @ 218°C

### Screens

Model	Sizes	STANDARD (WATER)		STEAM RECOMENDATION	
		Material	Opening	Material	Opening
All	1/4" - 2"	304SS	20 mesh	304SS	.033 perf
	2½" - 4"	304SS	.062 perf	304SS	.033 perf

### NOTICE

The information contained herein is not intended to replace the full product installation and safety information available or the experience of a trained product installer. You are required to thoroughly read all installation instructions and product safety information before beginning the installation of this product.

**Mueller Steam Specialty™**

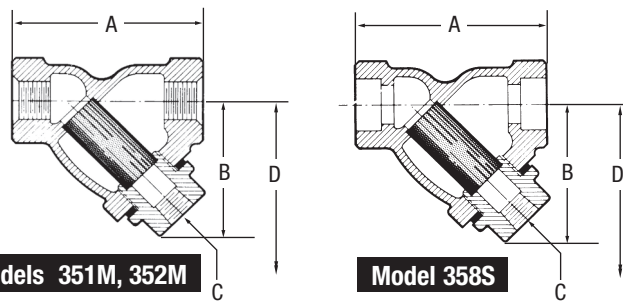
**A WATTS Brand**

## Materials

	351M, 352M, 358S	352½MM
Body	Bronze ASTM B62	Bronze ASTM B61
Cap	Bronze ASTM B62	Bronze ASTM B61
Screen	304SS	304SS
Gasket	Metal Filled Graphite	Copper

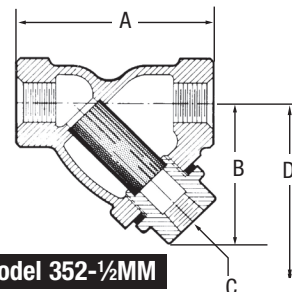
## Dimensions and Weights

SIZE		DIMENSIONS				WEIGHT			
		A		B		C (NPT)		D Screen Removal	
in.	mm	in.	mm	in.	mm	in.	mm	in.	mm
<b>351M, 352M</b>									
¼	8	2¾	70	2¼	57	¼	6	2½	64
¾	10	2¾	70	2¼	57	¼	6	2½	64
½	15	2¾	70	2¼	57	¼	6	2½	64
¾	20	3	76	2⅞	65	⅜	10	2⅝	67
1	25	3¾	95	2¾	70	⅜	10	3⅜	86
1¼	32	4⅞	113	3⅝	81	¾	20	4⅝	117
1½	40	4⅞	125	3⅞	98	¾	20	5	127
2	50	6⅞	156	5⅞	130	1	25	6⅞	175
2½	65	8¼	210	6	152	1¼	32	8¾	222
3	80	9	229	6¾	171	1½	38	9¾	248
<b>358S</b>									
¼	8	3	76	2¼	57	¼	6	¼	6
¾	10	3	76	2¼	57	¼	6	¼	6
½	15	3	76	2¼	57	¼	6	¼	6
¾	20	3⅞	93	2⅞	65	⅜	10	⅜	10
1	25	4¾	120	2¾	70	⅜	10	⅜	10
1¼	32	5⅞	138	3⅝	81	¾	20	¾	20
1½	40	5⅞	150	3⅞	98	¾	20	¾	20
2	50	7⅞	192	5⅞	130	1	25	1	25
2½	65	9¾	248	6	152	1¼	32	1¼	32
3	80	10⅝	264	6¾	171	1½	38	1½	38
<b>352½MM</b>									
¼	8	2⅞	65	1⅞	48	⅞	3	2¾	70
¾	10	2⅞	65	1⅞	48	⅞	3	2¾	70
½	15	2⅞	75	2⅞	54	⅞	3	3	76
¾	20	3⅞	86	2⅞	65	¼	6	4	102
1	25	4⅞	105	3⅞	79	¼	6	4½	114
1¼	32	4⅞	122	3⅞	90	⅜	10	5½	140
1½	40	5⅞	137	4⅞	122	½	15	6½	165
2	50	6⅞	168	5⅞	137	¾	20	8¼	210
2½	65	7⅞	200	6½	165	1	25	10	254
3	80	11¾	298	7	178	1	25	10½	267
4	100	15⅞	386	11⅞	289	Blind Cover		16	406



Models 351M, 352M

Model 358S



Model 352-½MM

## Pressure Drop

- See Pressure Drop Charts in Technical Data Section of the Mueller Steam Specialty Engineering binder.

**Limited Warranty:** Mueller Steam Specialty warrants each product to be free from defects in material and workmanship under normal usage for a period of one year from the date of original shipment. In the event of such defects within the warranty period, the Company will, at its option, replace or recondition the product without charge. This shall constitute the sole and exclusive remedy for breach of warranty, and the Company shall not be responsible for any incidental, special or consequential damages, including without limitation, lost profits or the cost of repairing or replacing other property which is damaged if this product does not work properly, other costs resulting from labor charges, delays, vandalism, negligence, fouling caused by foreign material, damage from adverse water conditions, chemical, or any other circumstances over which the Company has no control. This warranty shall be invalidated by any abuse, misuse, misapplication or improper installation of the product. **THIS WARRANTY IS IN LIEU OF ALL OTHER WARRANTIES, EXPRESS OR IMPLIED, INCLUDING ANY IMPLIED WARRANTIES OF MERCHANTABILITY OR FITNESS FOR A PARTICULAR PURPOSE.** Any implied warranties that are imposed by law are limited in duration to one year.

Some States do not allow limitations on how long an implied warranty lasts, and some States do not allow the exclusion or limitation of incidental or consequential damages. Therefore the above limitations may not apply to you. This Limited Warranty gives you specific legal rights, and you may have other rights that vary from State to State. You should consult applicable state laws to determine your rights.



A WATTS Brand

USA: T: (800) 334-6259 • F: (800) 421-6772 • MuellerSteam.com

Latin America: T: (52) 55-4122-0138 • MuellerSteam.com