

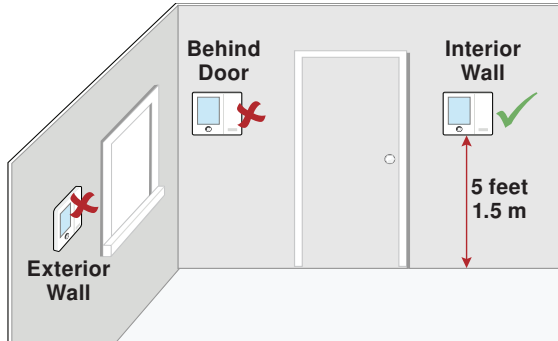


Zoning

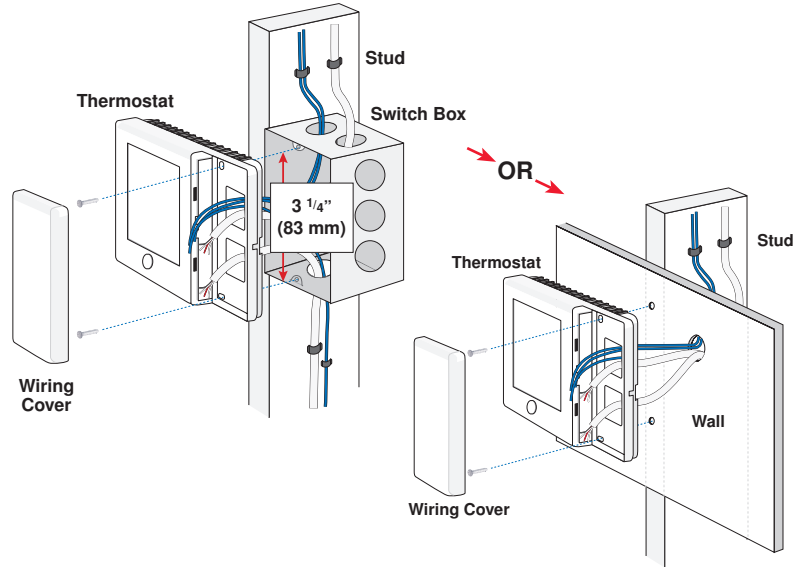


Replaces: New

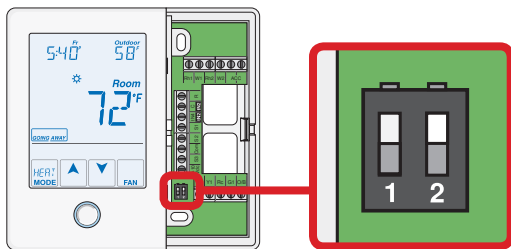
1. Location



2. Install Thermostat

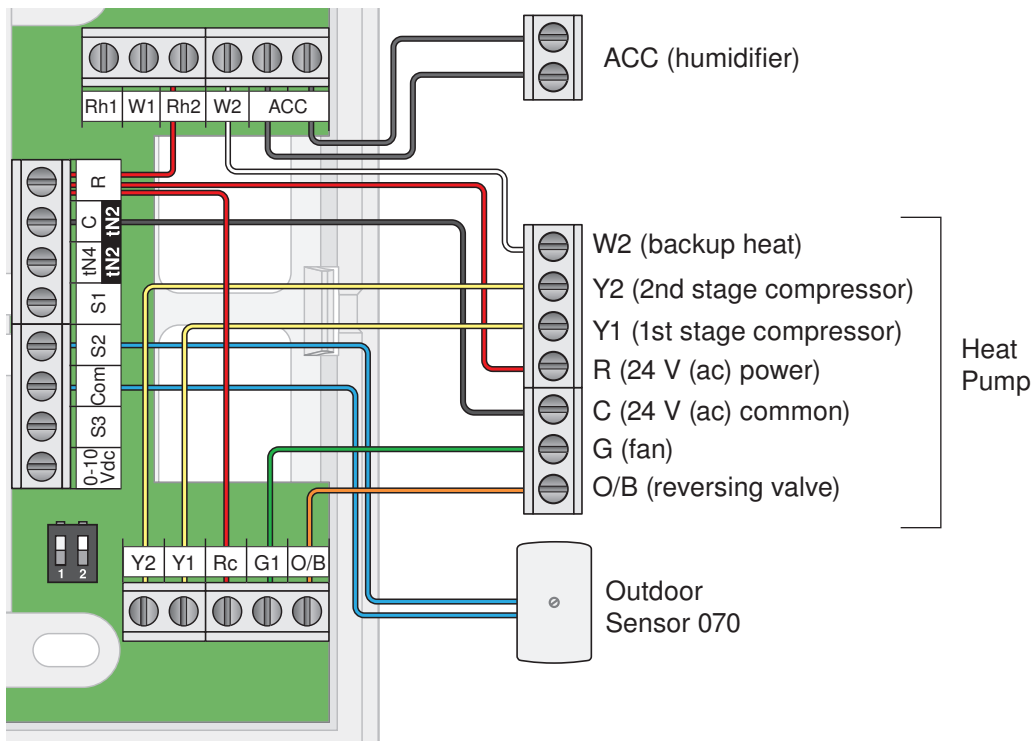


3. Switch Settings



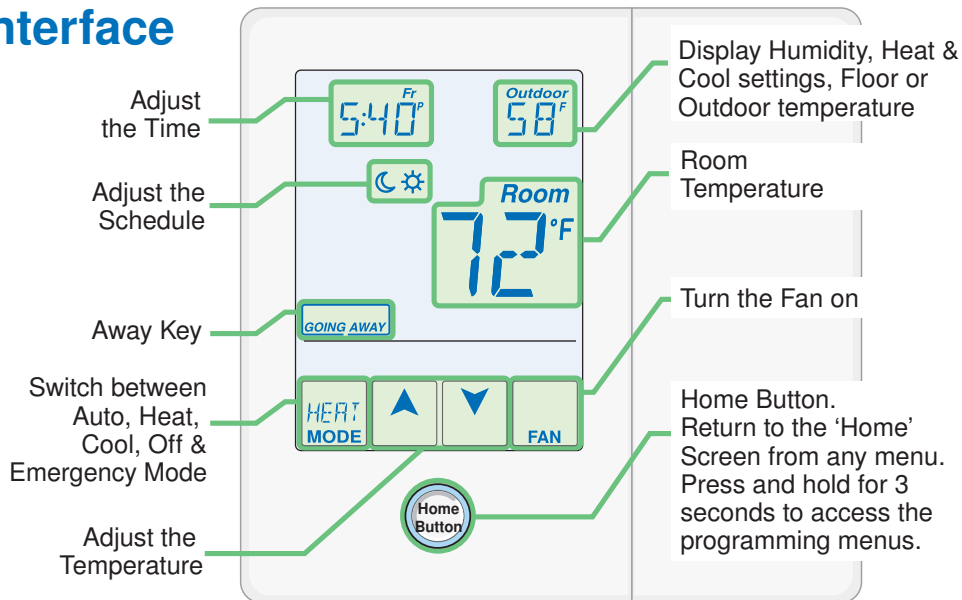
Switch Position Action		
1	ON	LOCK Access level adjustment is not available.
	OFF	UNLOCK Access level adjustment is available.
2	Not Used	

4. Stand Alone Wiring



For tekmarNet®2 or 4 wiring, see Application Brochure 557_A or Installation & Operation Manual 557_D.

5. User Interface



6. Critical Settings

The following settings are essential to the successful operation of the system.

Step 1: Set switch setting #1 and tekmarNet® system control located in the mechanical room to Unlock to change Access level to Installer. Return to Lock setting once installation has been completed.

Step 2: Press and hold "Home" button for 3 seconds to enter programming menus.

Step 3: Touch NEXT to locate the Setup Menu and touch ENTER.

Setup Menu Settings
SENSOR 1 Select the type of sensor connected to auxiliary sensor input 1.
Range: OFF, ROOM, FLOR (floor), DUCT
Default: OFF
SENSOR 2 Select the type of sensor connected to auxiliary sensor input 2.
Range: OFF, ROOM, FLOR (floor), OUT (outdoor)
Default: OFF
SENSOR 3 Select the type of sensor connected to auxiliary sensor input 3.
Range: OFF, ROOM, FLOR (floor), HUM (humidity)
Default: OFF
ROOM SENSOR Select if the built-in room temperature sensor is on or off.
Range: OFF or ON
Default: ON
W1 TERMINAL UNIT Select the terminal unit type of the first stage of heat W1.
Range: NONE, HRF1, HRF2, OTHR (other)
Default: NONE

Setup Menu Settings
BACKUP W2 TERMINAL UNIT Select the type of backup heating.
Range: NONE, CONV, COIL, FURN (furnace), OTHR (other)
Default: NONE
Y1 RELAY Select the cooling equipment the Y1 relay operates.
Range: HP1 (heat pump), AC1 (air conditioner), W2
Default: HP1
Y2 RELAY Select the equipment the Y2 relay operates.
Range: OFF, HP2 (heat pump stage 2), AC2 (air conditioner stage 2), HRV, DHUM (dehumidifier), VALV (valve)
Default: OFF
ACCESSORY RELAY Select the equipment the accessory relay operates.
Range: OFF, HUM (humidifier), DHUM (dehumidifier), VALV (valve)
Default: OFF
O/B VALVE Select the heat pump operation of the O / B relay.
Range: O or B
Default: O

For a full list of settings and operational details, please refer to the thermostat **Installation and Operation Manual (557_D)** included with compatible tekmarNet® controls or download the brochure from www.tekmarControls.com



tekmar Control Systems Ltd., A Watts Water Technologies Company. Head Office: 5100 Silver Star Road, Vernon, B.C. Canada V1B 3K4, 250-545-7749, Fax. 250-545-0650 Web Site: www.tekmarControls.com