

tekmar® Submittal

tekmarNet® Thermostat 554



Zoning

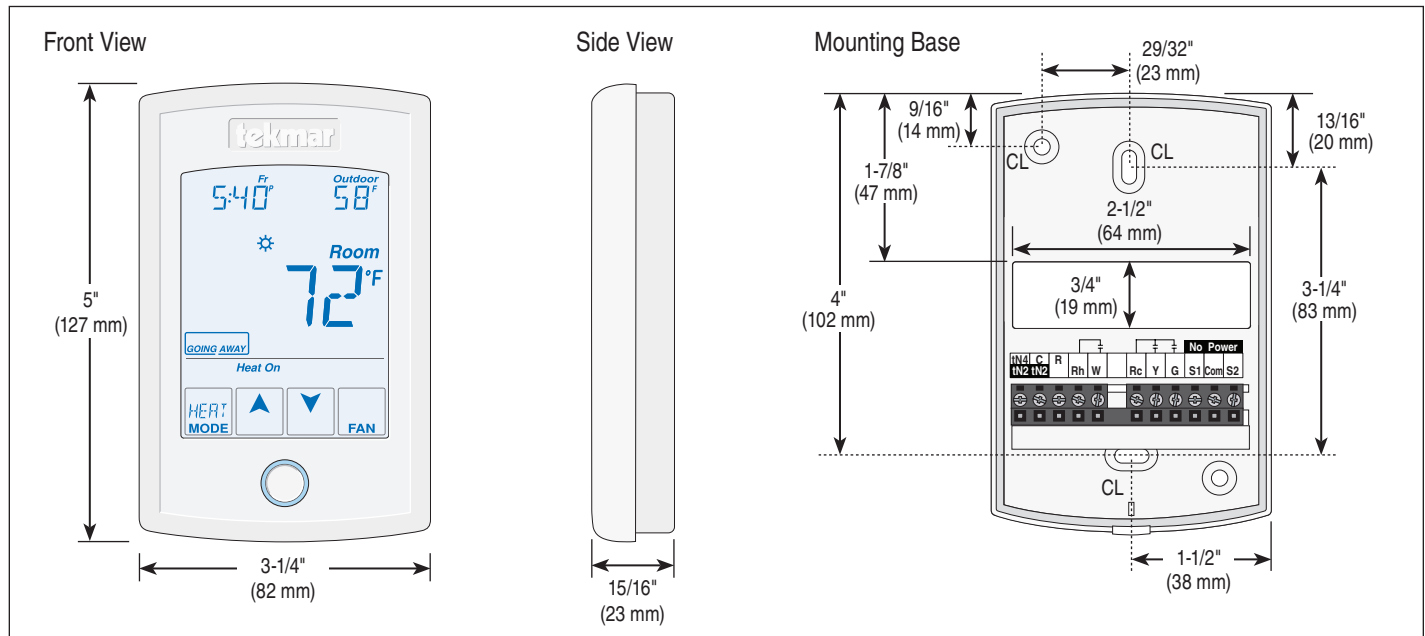
554_C

02/15

Replaces: New

Job _____ Designer _____ Contact _____

The tekmarNet Thermostat 554 is a communicating touchscreen thermostat designed to operate one heating stage, one cooling stage, and a fan. The heating stage can be either hydronic or forced air and the cooling stage is an air conditioner. There are two auxiliary sensor inputs available to measure room, floor, outdoor, coil or duct temperature. The optional floor sensor allows precise heating of radiant floors by controlling the floor temperature and maintaining the desired room air temperature. The large touchscreen allows you to easily adjust 7-day programmable schedules and room temperature to optimize comfort and energy savings. The 554 can connect to tekmarNet controls using two or four wires or it can operate as a stand-alone thermostat using three wires.



Specifications

tekmarNet® Thermostat 554 One Stage Heat, One Stage Cool, One Fan	
Literature	554_A, 554_C, 554_D, 554_J, 554_Q, 554_U
Control	Microprocessor control. This is not a safety (limit) control.
Packaged weight	0.8 lb. (350 g)
Dimensions	5" H x 3-1/4" W x 15/16" D (127 x 82 x 23 mm)
Enclosure	White PVC plastic, NEMA type 1
Approvals	Meets Class B: ICES & FCC Part 15
Ambient conditions	Indoor use only, 32 to 122°F (0 to 50°C), RH ≤90% non-condensing
Power supply	24 V ± 10%, 60 Hz, 1.8 VA standby, NEC / CEC Class 2
Relays	24 V (ac), 2 A
Temperature sensor	NTC thermistor, 10 kΩ @ 77°F (25°C ±0.2°C) β=3892
-Included	None
-Optional	tekmar type # 070, 071, 072, 073, 076, 077, 079, 082, 083, 084
Warranty	Limited 3 Year (See 554_D for full warranty)

Features

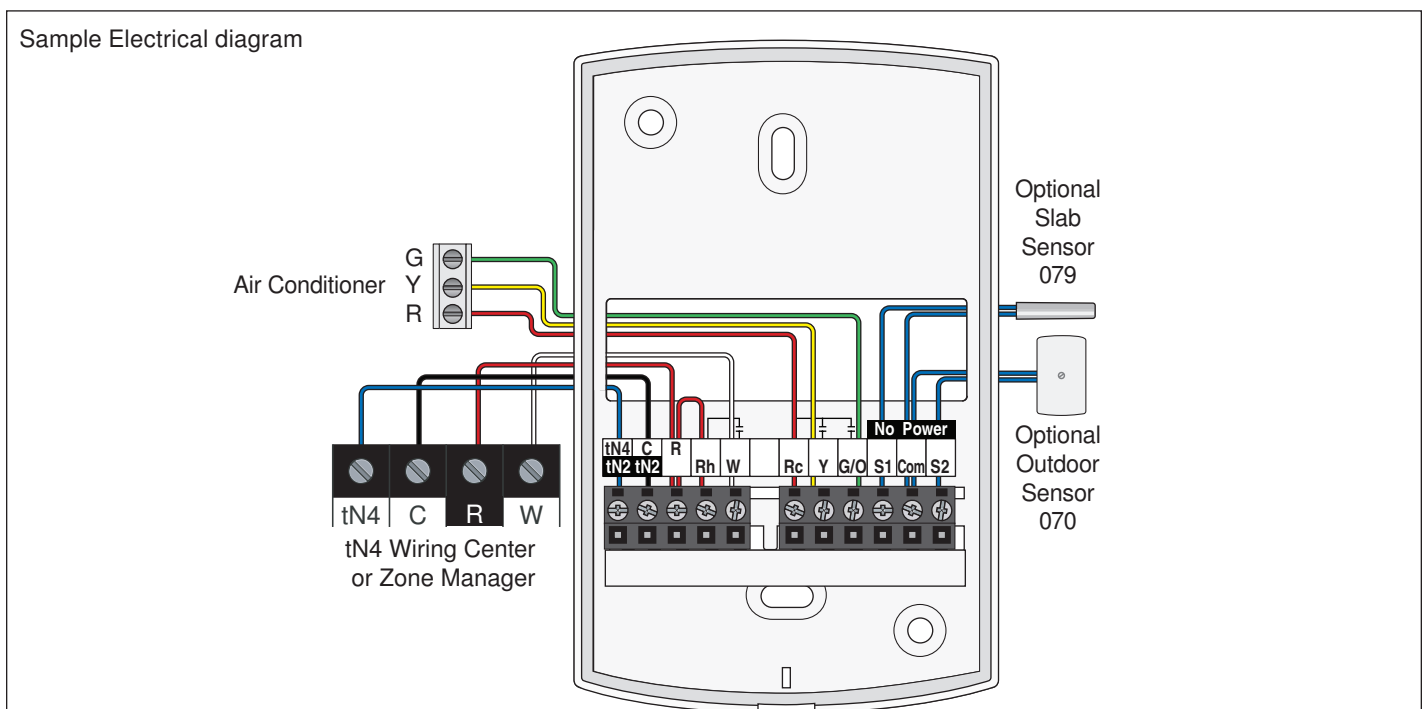
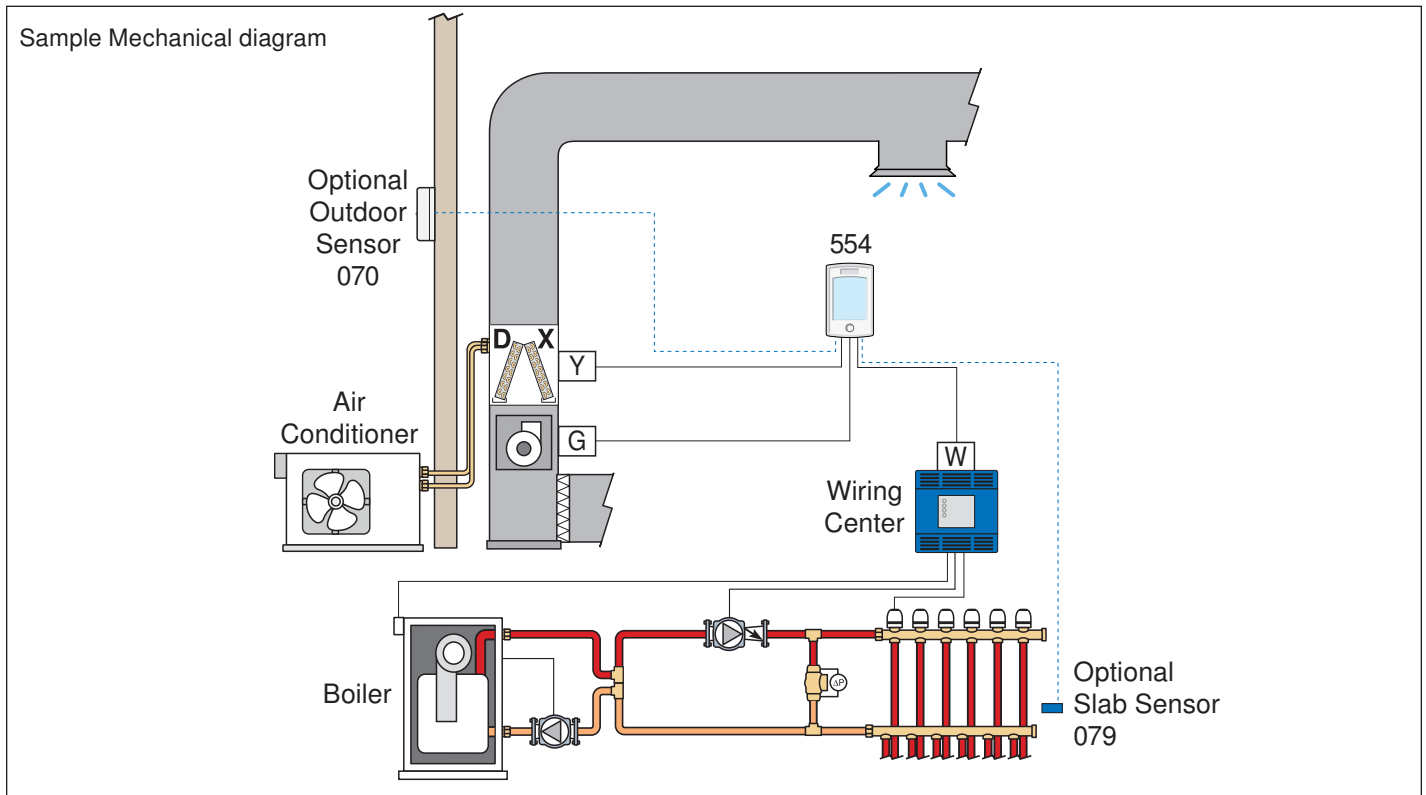
- tekmarNet communication compatible
- Touchscreen technology
- Radiant floor heating
- Programmable schedule
- Network schedule master or member
- Optimum start
- Temporary hold
- Air group master
- Zone synchronization
- 2 auxiliary sensor inputs
- Room temperature limiting
- Away scene key

SPECIAL REQUIREMENTS

An auxiliary sensor must be used to measure any auxiliary sensor temperatures.

Sample Application Drawing

Below is a sample application drawing for this product. This application may include other tekmar products that are required for installation. More sample applications can be found at www.tekmarControls.com.



NOTICE

The information contained herein is not intended to replace the full product installation and safety information available or the experience of a trained product installer. You are required to thoroughly read all installation instructions and product safety information before beginning the installation of this product.



tekmar Control Systems Ltd., A Watts Water Technologies Company. Head Office: 5100 Silver Star Road, Vernon, B.C. Canada V1B 3K4, 250-545-7749, Fax. 250-545-0650 Web Site: www.tekmarControls.com

