



Zoning

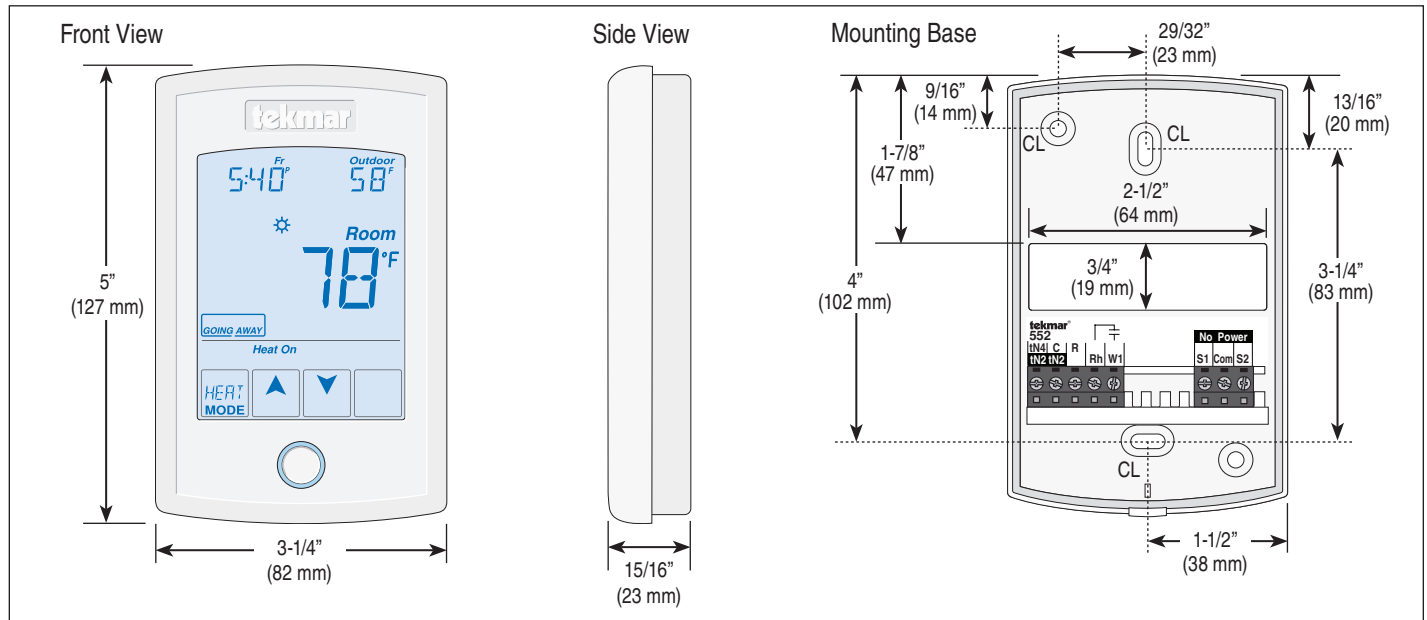
C552

07/11

Replaces: New

Job _____ Designer _____ Contact _____

The tekmarNet® Thermostat 552 is a communicating touchscreen thermostat designed for hydronic heating systems. The extra large touchscreen display allows you to easily adjust 7-day programmable schedules and room temperatures to optimize comfort and energy savings. It operates a single zone of heating and has two auxiliary sensor inputs that can be assigned to measure room, floor, or outdoor temperature. An optional floor sensor allows precise heating of radiant floors by controlling the floor temperature and maintaining the desired room air temperature. Alternatively the room air temperature sensor can also be disabled to solely maintain a minimum floor temperature. The 552 can be wired using 2 or 4 wires to connect to tekmarNet® zoning controls, or can be installed as a stand-alone thermostat using 3 wires.



Specifications

tekmarNet® Thermostat 552 One Stage Heat	
Literature	D552, Q552, U552
Control	Microprocessor control. This is not a safety (limit) control
Packaged weight	0.8 lb. (350 g)
Dimensions	5" H x 3-1/4" W x 15/16" D (127 x 82 x 23 mm)
Enclosure	White ABS / PC plastic
Approvals	Meets Class B: ICES & FCC Part 15
Ambient conditions	Indoor use only, 32 to 122°F (0 to 50°C), RH ≤90% non-condensing
Power supply	24 V ±10%, 50/60 Hz, 1.8 VA Standby, 56 VA fully loaded, NEC / CEC Class 2
Relay	24 V (ac) 2 A
Sensors	NTC thermistor, 10 kΩ @ 77°F (25°C ±0.2°C) β=3892
-Included	None
-Optional	tekmar type # 070, 072, 073, 076, 077, 078, 079, 084
Warranty	Limited 3 Year (See D552 for full warranty)

Energy Saving Features

- Warm Weather Shut Down
- Zone Synchronization
- Zone Post Purge
- Programmable Schedule
- Away Scene Key
- Auto Heating Cycle

Additional Features

- tekmarNet® Communication Compatible
- Touchscreen
- 2 Auxiliary Sensor Inputs
- Floor Warming (with 079 slab sensor)
- Pulse Width Modulation
- Outdoor Temperature Display
- Optional Floor Temperature Display
- Air Group Member
- Backlight
- Freeze Protection
- Equipment Exercising
- Room Temperature Limiting
- Radiant Floor Cooling Member

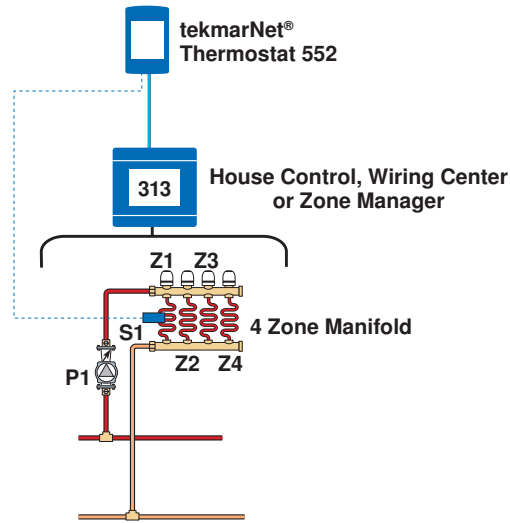
SPECIAL REQUIREMENTS

This thermostat is designed to be used with a tekmarNet® Wiring Center or Zone Manager for power and communication. It can also be used in stand alone applications.

Sample Application Drawing

Below is a sample application drawing for this product. This application may include other tekmar products that are required for installation. More sample applications can be found at www.tekmarcontrols.com.

Sample Mechanical diagram



Sample Electrical diagram

Legend

- P1 = Zone Manifold Pump**
- Z1 = Zone 1**
- Z2 = Zone 2**
- Z3 = Zone 3**
- Z4 = Zone 4**
- S1 = Optional Slab Sensor**

