

This Quick Setup Guide contains the basic information required to get your new tekmar tN4 Wiring Center 315 installed and operational. An Installation and Operation Manual D315 containing all available features and operational details is included with this control or can be found at www.tekmarcontrols.com/literature.html

Basic Installation

The tN4 Wiring Center 315 is designed to be mounted near a zone manifold and will operate up to 6 zone valves in a hydronic heating system.

Control Location

- The Wiring Center can be mounted either directly to the wall, or to a 4"x4" electrical box.
- Mount the enclosure to a solid backing.
- Wiring will enter through either side knockouts or between the base of the enclosure and the cover on the sides and top. See Figure 1 and Figure 2.

Note: The nonmetallic enclosure does not provide grounding between conduit connections. Conduit connections must be grounded by other means.

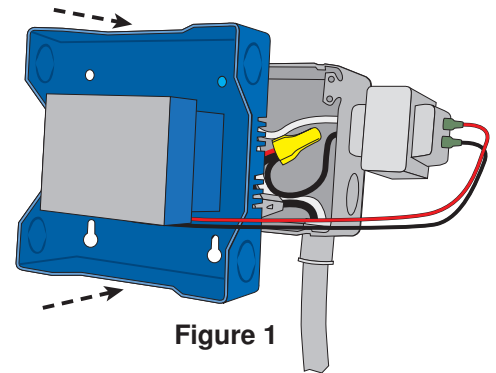


Figure 1

Wire the Thermostats

tN4 Thermostats:

- Connect tN4, C, R and W conductors to the corresponding terminals on the 315, paying special attention to ensure that the tN4 and C wires are not reversed. See the terminal labelling in Figure 2.

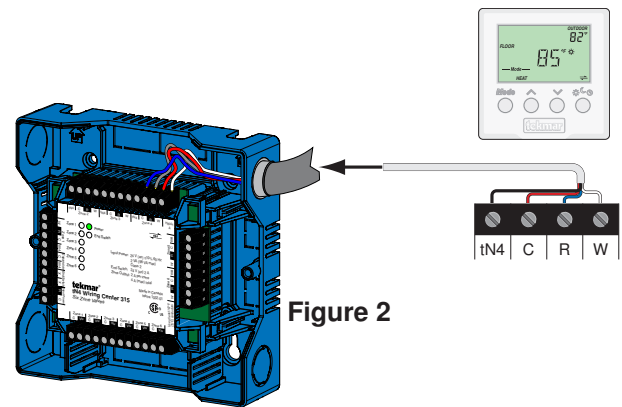


Figure 2

Wire the Zone Valves

- Wire the zone valves to the V1v and C terminals on the 315, as shown in Figure 3.
- End switches on zone valves are not required when using the 315.

Connect to the Mechanical System

- If the 315 is to be connected to a tN4 network, connect the tN4 and C expansion terminals to the tN4 connection on the associated tN4 device.
- If the 315 is to be connected to another control, such as a tekmar Boiler Control, use the end switch terminals to create a 'Boiler Demand' on this external control. See application on next page.

Wire the Power Supply

Once the transformer has been correctly sized, connect the 24 V (ac) leads from the transformer to the R and C terminals marked "Input Power" on the Wiring Center. See "Sizing the External Transformer" in the Installation and Operation Manual D315 for more detailed information.

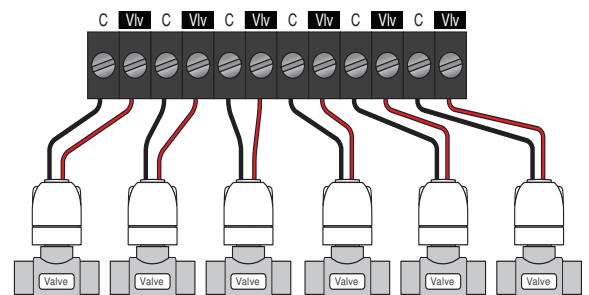
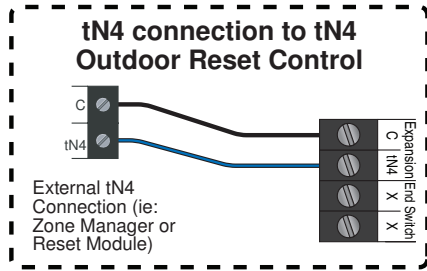


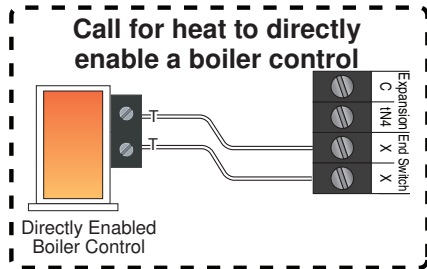
Figure 3

Application Drawing

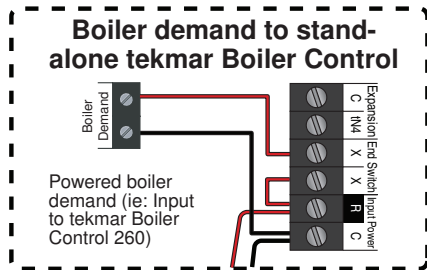
Use tekmarNet® 4 Thermostats to achieve better system performance.



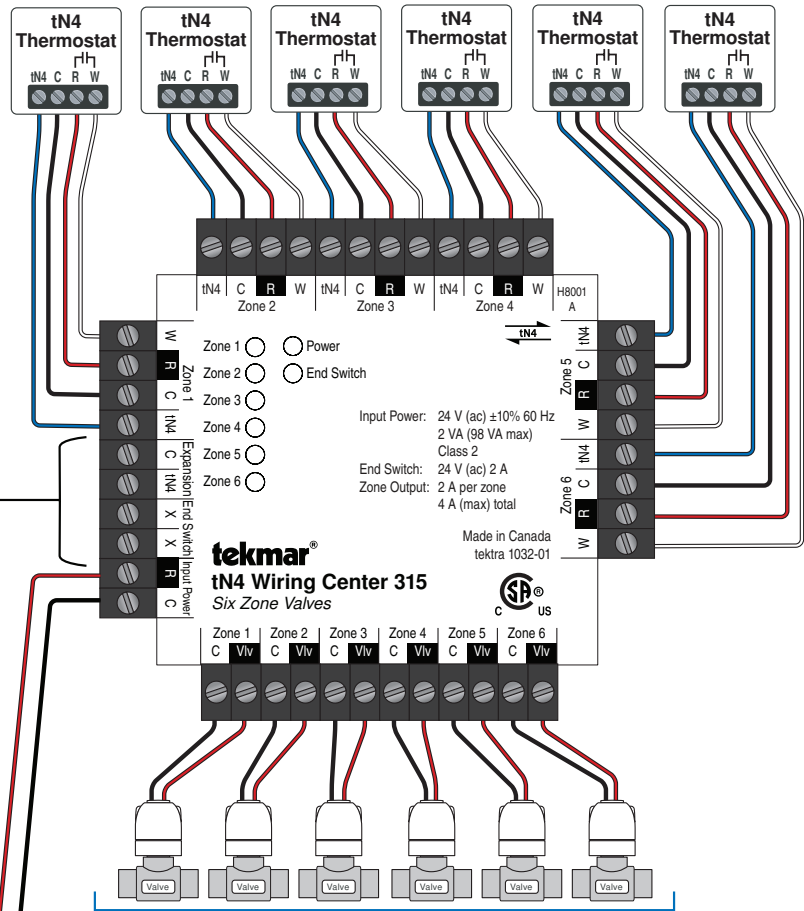
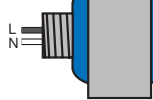
OR



OR



tekmar Transformer 009
24 V (ac)



Refer to Transformer Data Sheets for Maximum Allowable Loads

Sizing the External Transformer:

Add up all the thermostat and zone valve loads (VA) connected to the Wiring Center. The transformer must have higher capacity than this total load.

$$\boxed{} + \boxed{} + \boxed{2\text{ VA}} = \boxed{}$$

T-stats + Zone Valves + Control Total Load

Wiring Conventional Thermostats:

The tN4 Wiring Center 315 may be used with conventional thermostats instead.

- Connect the thermostat wires to the R and W terminals of the 315.
- Do not mix conventional and tekmarNet® Thermostats on the same Wiring Center.
- See the Installation & Operation Manual D315 for more detailed wiring information.

tekmar Control Systems Ltd., Canada, tekmar Control Systems, Inc., U.S.A.

Head Office: 5100 Silver Star Road, Vernon, B.C. Canada V1B 3K4, 250-545-7749, Fax. 250-545-0650 Web Site: www.tekmarcontrols.com

