

tekmar® Submittal

tekmarNet® 4 Wiring Center 315



Zoning

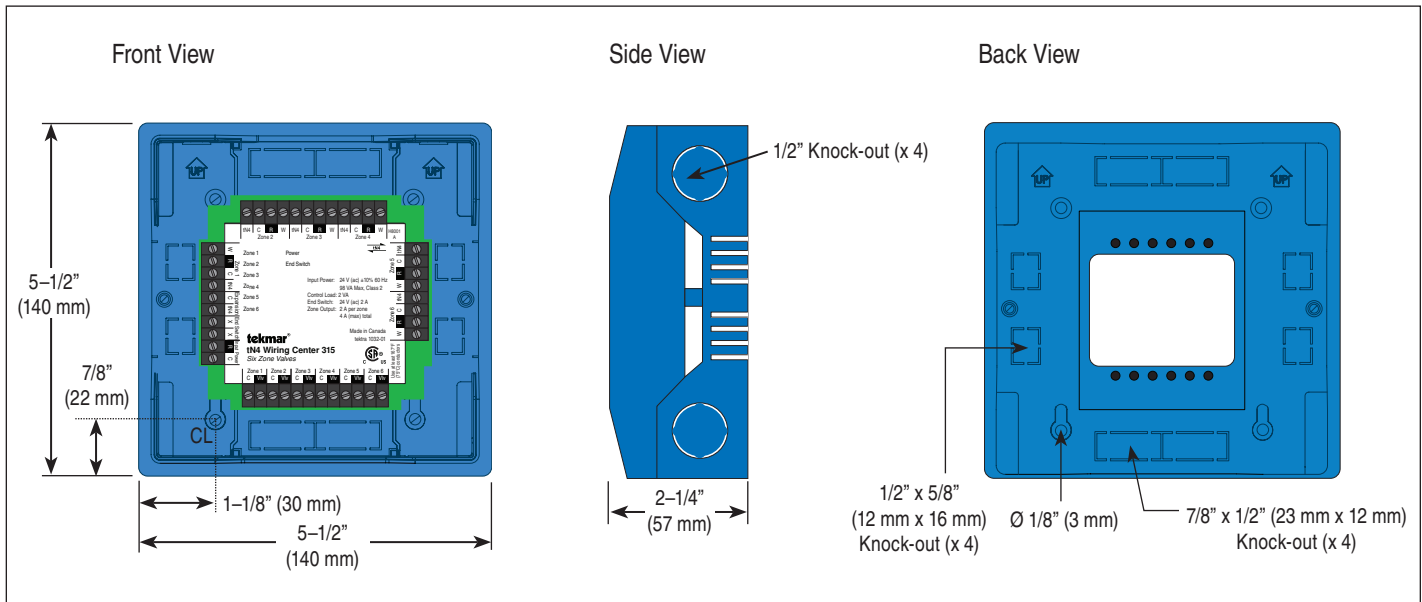
C315

01/11

Replaces: New

Job _____ Designer _____ Contact _____

The tekmarNet® 4 Wiring Center 315 is designed to provide a zoning solution for heating systems. It can be used in applications ranging from baseboard zones, to remote manifolds for radiant heating. This control energizes up to 6 zone valves. It is capable of providing power for up to 6 tekmarNet® 4, or stand alone thermostats, and energizing their respective 24 V (ac) zones, as well as providing an end switch closure to enable an external device such as a boiler.



Specifications

tN4 Wiring Center 315 Six Zone Valves	
Literature	D315, Q315
Control	Microprocessor control. This is not a safety (limit) control
Packaged weight	1.4 lb. (630 g)
Dimensions	5.5" H x 5.5" W x 2.25" D (140 x 140 x 57 mm)
Enclosure	Blue PC+ABS plastic, NEMA type 1
Approvals	CSA C US, meets class B: ICES & FCC Part 15
Ambient conditions	Indoor use only, 32 to 122°F (0 to 50°C), RH ≤90% Non-condensing
Power supply	24 V (ac) ±10%, 60 Hz, 98 VA, Class 2
Zone valve load	24 V (ac) 2 A, maximum combined current (zones 1 to 4): 4 A
End switch relay	24 V (ac) 2 A
Warranty	Limited 3 Year (See D315 for full warranty)

Features

- Six 24 V (ac) powered zone outputs
- For use with tekmarNet® 4 thermostats
- tN4 expansion terminals
- Isolated end switch
- External diagnostic LEDs
- CSA C US Certified for use in USA and Canada

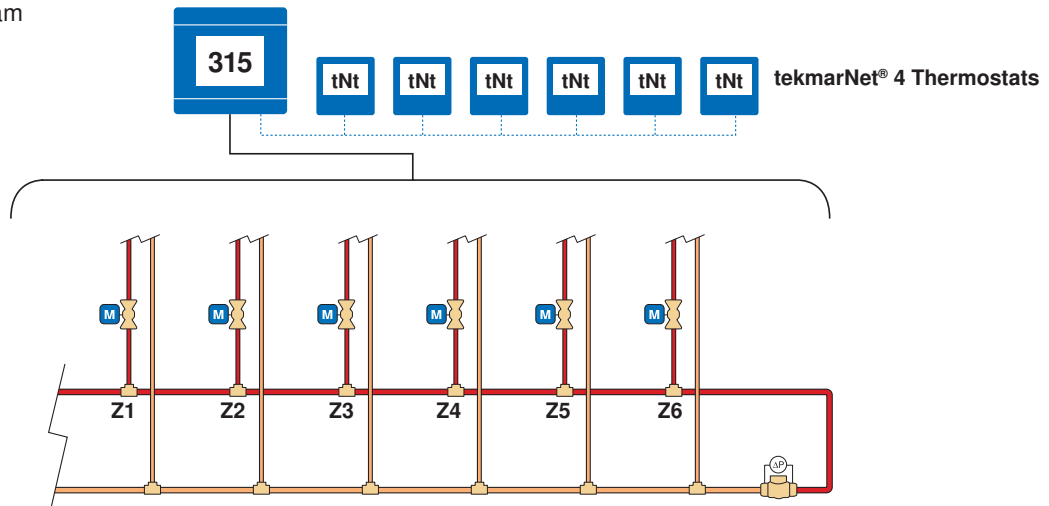
SPECIAL REQUIREMENTS

Designed for use with tekmarNet® 4 Thermostats.

Sample Application Drawing

Below is a sample application drawing for this product. This application may include other tekmar products that are required for installation. More sample applications can be found at www.tekmarcontrols.com.

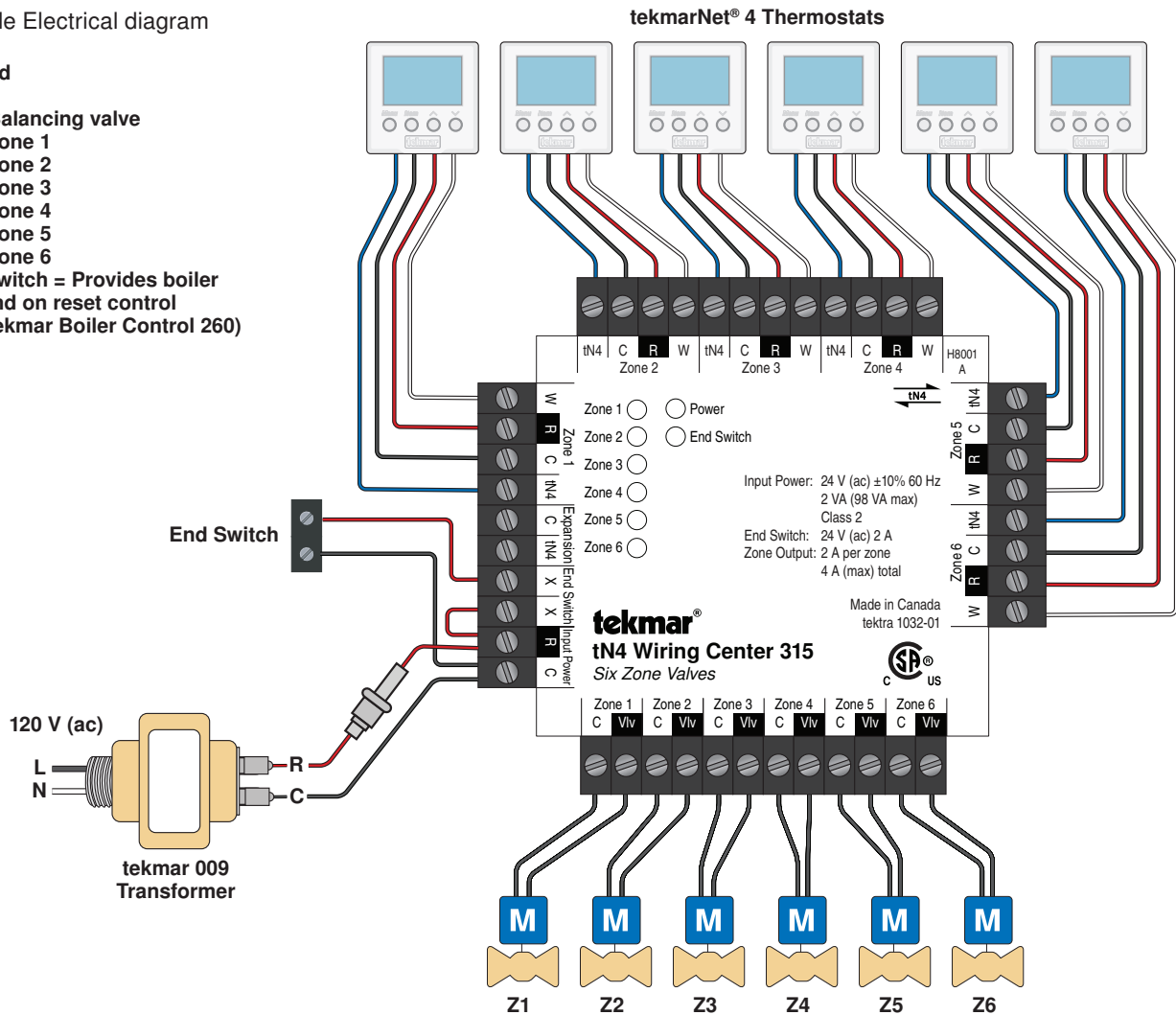
Sample Mechanical diagram



Sample Electrical diagram

Legend

- V1 = Balancing valve
- Z1 = Zone 1
- Z2 = Zone 2
- Z3 = Zone 3
- Z4 = Zone 4
- Z5 = Zone 5
- Z6 = Zone 6
- End Switch = Provides boiler demand on reset control (e.g. tekmar Boiler Control 260)



Refer to Transformer Data Sheets for Maximum Allowable Loads



tekmar Control Systems Ltd., Canada, tekmar Control Systems, Inc., U.S.A. Head Office: 5100 Silver Star Road, Vernon, B.C. Canada V1B 3K4, 250-545-7749, Fax. 250-545-0650 Web Site: www.tekmarcontrols.com

