

# tekmar® Submittal

## tN2 Wiring Center 313



Zoning

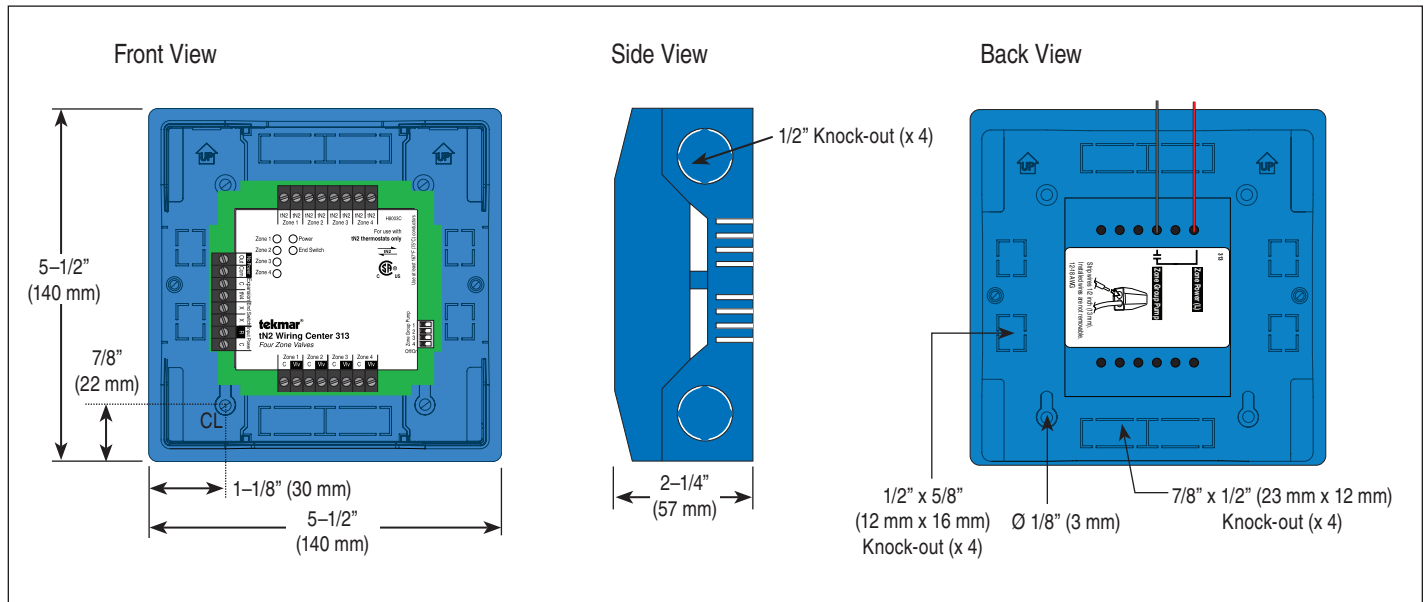
**C313**

05/11

Replaces: 01/11

Job \_\_\_\_\_ Designer \_\_\_\_\_ Contact \_\_\_\_\_

The tekmarNet®2 Wiring Center 313 is designed to provide a zoning solution for heating systems. It can be used in applications ranging from baseboard zones, to remote manifolds for radiant heating. This product provides power for up to four tekmarNet®2 thermostats, and up to four 24 V (ac) zone valve outputs, as well as providing an end switch closure to enable an external device such as a boiler. A line voltage output on the back of the control can operate a zone group pump if required. An outdoor sensor input is included and provides the outdoor air temperature reading on each thermostat when an optional outdoor sensor is installed.



### Specifications

tN2 Wiring Center 313 Four Zone Valves	
Literature	D313, Q313, C313
Control	Microprocessor control. This is not a safety (limit) control
Packaged weight	1.4 lb (630 g)
Dimensions	5.5" H x 5.5" W x 2.25" D (140 x 140 x 57 mm)
Enclosure	Blue PC+ABS plastic, NEMA type 1
Approvals	CSA C US, meets class B: ICES & FCC Part 15
Ambient conditions	Indoor use only, 32 to 122°F (0 to 50°C), RH ≤90% Non-condensing
Power supply	24 V (ac) ±10%, 60 Hz, 3 VA min, 99 VA max, Class 2
Zone valve load	24 V (ac) 2 A, maximum combined current (zones 1 to 4): 4 A
End switch relay	24 V (ac) 2 A
Zone group pump	115 V (ac) 5 A
Sensors	NTC thermistor, 10 kΩ @ 77°F (25°C ±0.2°C) β=3892
-Included	None
-Optional	Outdoor Sensor 070
Warranty	Limited 3 Year (See D313 for full warranty)

### Features

- Four 24 V (ac) powered zone outputs
- For use with tekmarNet®2 thermostats ONLY
- Supports two-stage tekmarNet®2 thermostats
- tN4 expansion terminals
- Isolated end switch
- Zone group pump output
- Outdoor sensor input
- External diagnostic LEDs
- CSA C US certified for use in USA and Canada

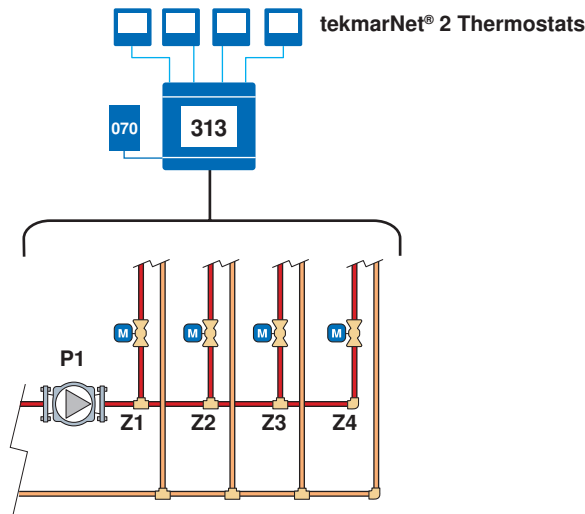
### SPECIAL REQUIREMENTS

This control is designed for use ONLY with tekmarNet®2 Thermostats.

# Sample Application Drawing

Below is a sample application drawing for this product. This application may include other tekmar products that are required for installation. More sample applications can be found at [www.tekmarcontrols.com](http://www.tekmarcontrols.com).

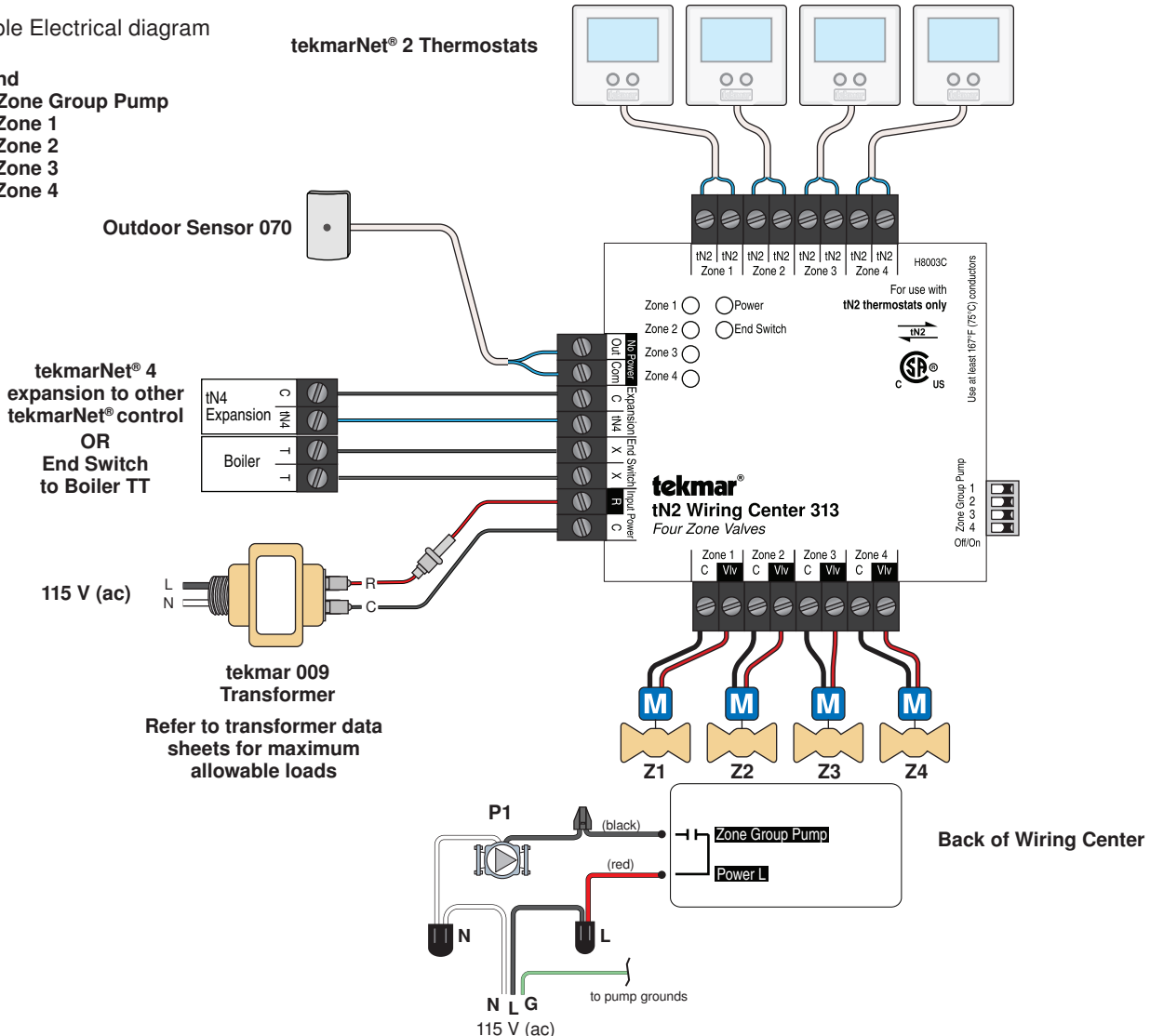
Sample Mechanical diagram



Sample Electrical diagram

**Legend**

- P1 = Zone Group Pump
- Z1 = Zone 1
- Z2 = Zone 2
- Z3 = Zone 3
- Z4 = Zone 4



tekmar Control Systems Ltd., Canada, tekmar Control Systems, Inc., U.S.A. Head Office: 5100 Silver Star Road, Vernon, B.C. Canada V1B 3K4, 250-545-7749, Fax. 250-545-0650 Web Site: [www.tekmarcontrols.com](http://www.tekmarcontrols.com)

