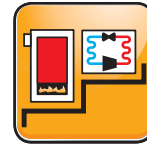


# tekmar® Submittal

## Boiler Control 284



Multi-Staging

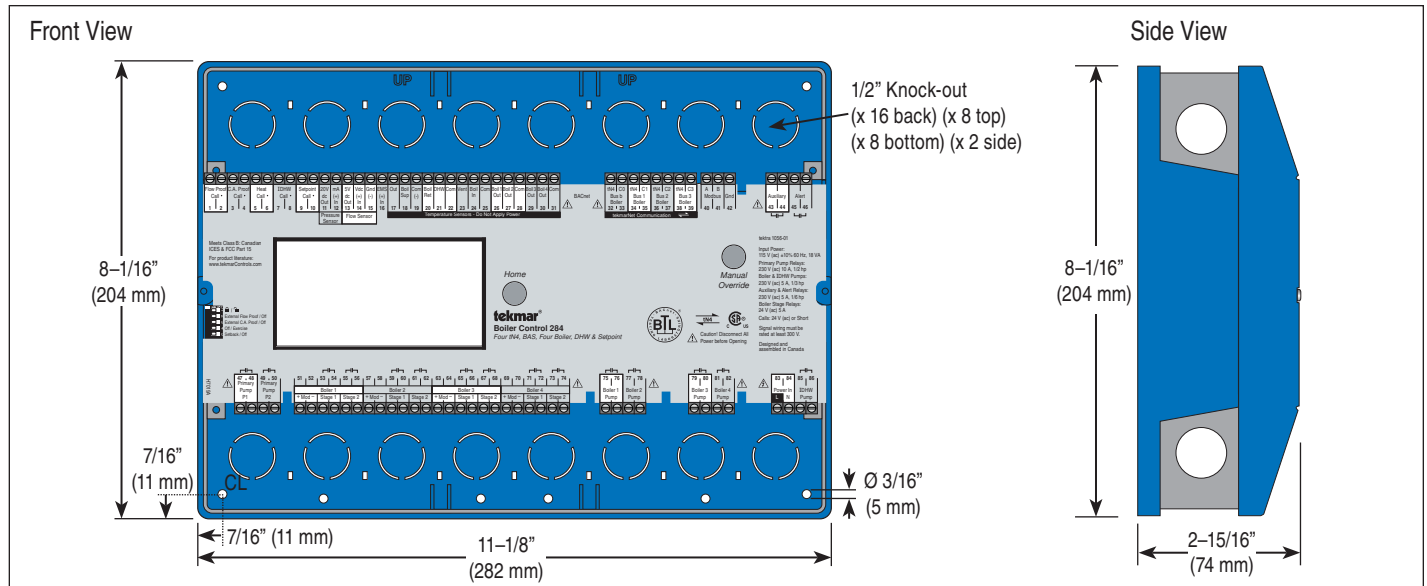
284\_C

06/13

Replaces: 02/13

Job \_\_\_\_\_ Designer \_\_\_\_\_ Contact \_\_\_\_\_

The Boiler Control 284 is designed to operate up to four boilers to accurately maintain a target water temperature. The 284 operates both condensing & non-condensing boilers that are either modulating, single stage or two stage to provide a flexible, cost effective mixed boiler plant solution with better system performance. The target water temperature is based on outdoor temperature reset or a fixed setpoint for space or process heating applications. Additional loads supplied by the 284 include domestic hot water & setpoint heating. Boiler equal run-time rotation, stand-by primary pump operation & pump exercising all increase boiler plant reliability. The 284 communicates with a Building Automation System (BAS) using BACnet® IP or Modbus® for remote monitoring & adjustment capability. tekmarNet® Thermostats or a tN4 Gateway 483 can be added to optimize system performance & provide remote monitoring capability.



### Specifications

| <b>Boiler Control 284 Four tN4, BAS, Four Boiler, DHW &amp; Setpoint</b> |   |
|--|---|
| Literature   | 284_A, 284_B, 284_C, 284_D  |
| Control  | Microprocessor control. This is not a safety (limit) control                        |
| Packaged weight  | 5.5 lb. (2490 g)  |
| Dimensions   | 8-1/16" H x 11-1/8" W x 2-15/16" D (204 x 282 x 74 mm)                              |
| Enclosure  | Blue PC+ABS plastic with metal top and bottom conduit connection walls, NEMA type 1 |
| Approvals  | CSA C US, meets class B: ICES & FCC Part 15, BTL Listed                             |
| Ambient conditions   | Indoor use only, 32 to 122°F (0 to 50°C), < 90% RH non-condensing                   |
| Power supply   | 115 V (ac) ±10%, 60 Hz, 18 VA   |
| Primary pump relays  | 230 V (ac) 10 A, 1/2 hp   |
| Boiler & IDHW pump relays  | 230 V (ac) 5 A, 1/3 hp  |
| Auxiliary & Alert Relays   | 230 V (ac) 5 A, 1/6 hp  |
| Boiler Stage Relays  | 24 V (ac) 5 A   |
| Modulating outputs   | 4 x 0-10 V (dc) 500 Ω minimum load impedance / 4-20 mA 1 kΩ max load impedance      |
| Calls  | 24 V (ac) or Short  |
| Sensors  | NTC thermistor, 10 kΩ @ 77°F (25°C ±0.2°C) β=3892                                   |
| -Included  | Outdoor Sensor 070 and 2 of Universal Sensor 082                                    |
| -Optional  | tekmar type: 071, 078, 082  |
| Warranty   | Limited 3 Year (See 284_D for full warranty)  |

### Features

- Outdoor temperature reset
- Programmable schedules
- tekmarNet® 4 compatible
- Control up to four boilers
- Condensing & non-condensing boiler groups
- Modulating, single stage or two stage
- BACnet® IP or Modbus® communication
- Primary pump sequencing
- DHW priority
- Setpoint operation
- Combustion air damper control
- Energy, flow & pressure monitoring



Scan code for quick link to product page on [tekmarControls.com](http://tekmarControls.com)

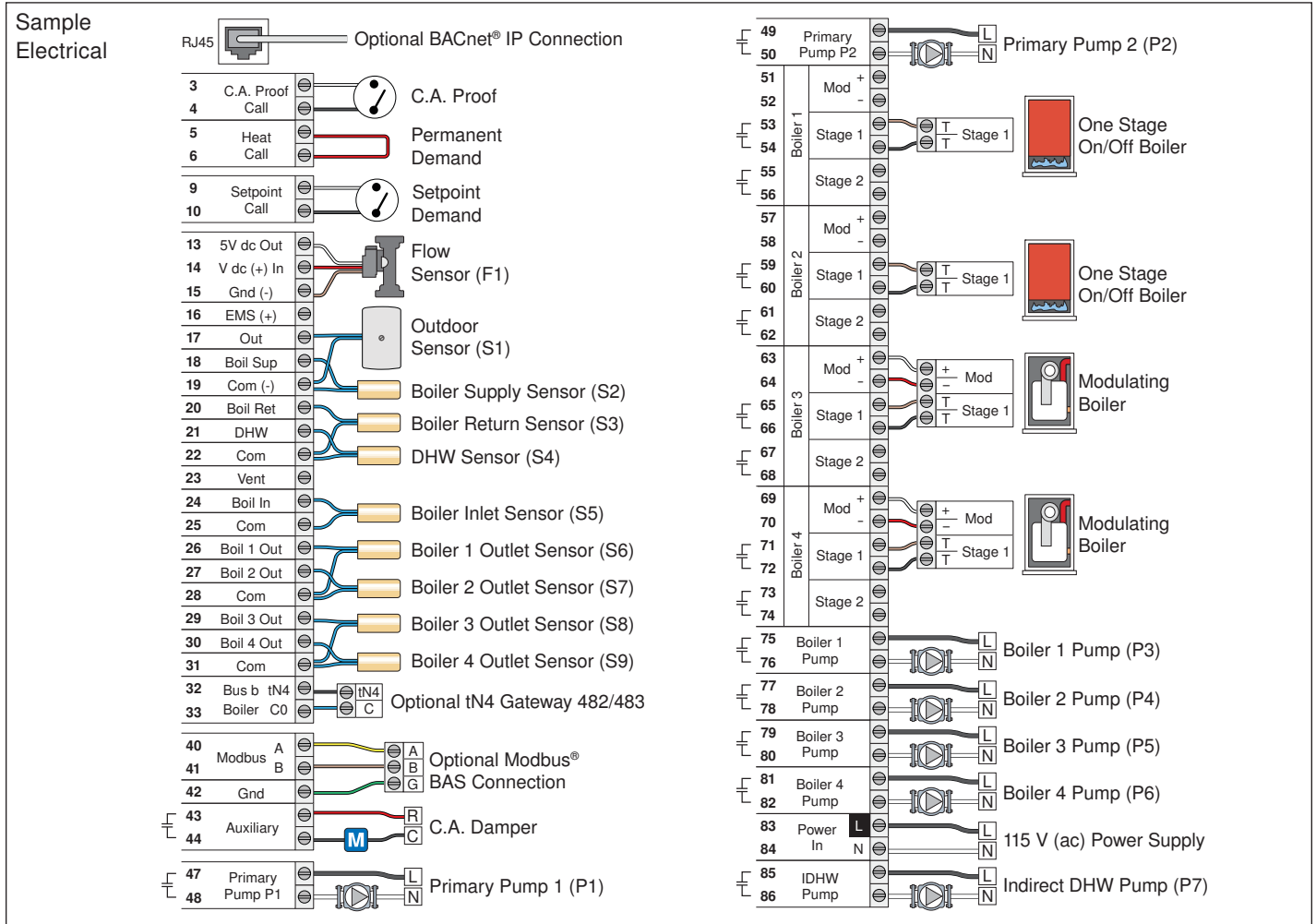
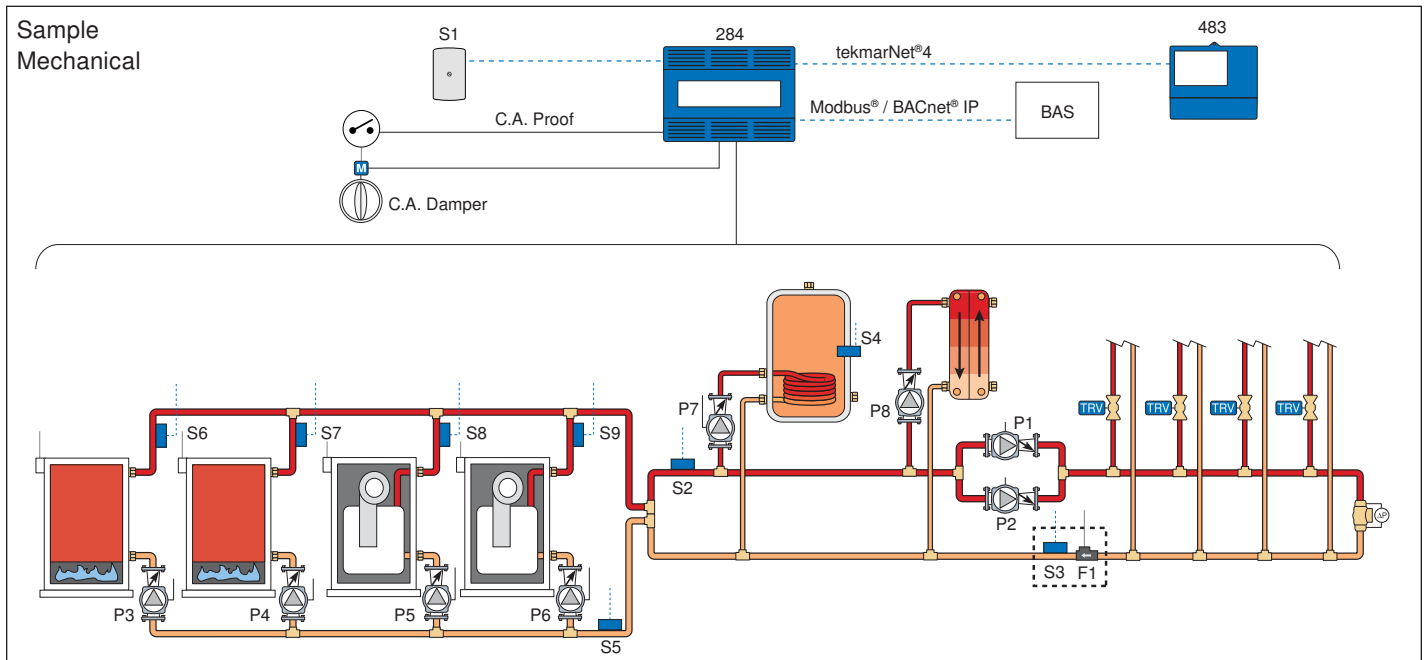


### SPECIAL REQUIREMENTS

N / A

# Sample Application Drawing

Below is a sample application drawing for this product. This application may include other tekmar products that are required for installation. More sample applications can be found at [www.tekmarControls.com](http://www.tekmarControls.com).



tekmar Control Systems Ltd., A Watts Water Technologies Company. Head Office: 5100 Silver Star Road, Vernon, B.C. Canada V1B 3K4, 250-545-7749, Fax. 250-545-0650 Web Site: [www.tekmarControls.com](http://www.tekmarControls.com)

