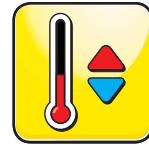


tekmar® Submittal

tekmarNet® 4 Setpoint Control 161



Setpoint

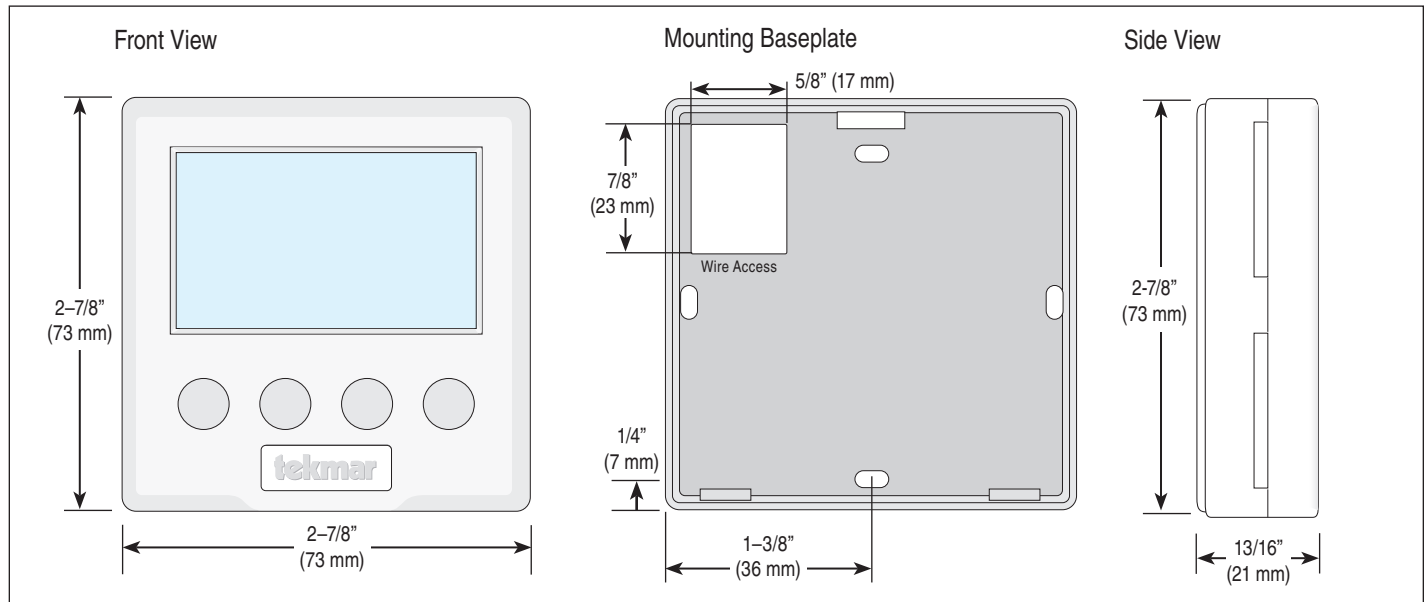
C 161

01/12

Replaces: 01/11

Job _____ Designer _____ Contact _____

The tekmarNet® 4 Setpoint Control 161 is designed to operate a single piece of heating equipment in order to maintain a setpoint temperature. It can be used in applications ranging from heating a swimming pool to maintaining a constant slab temperature in a commercial car wash bay. This product regulates a constant water temperature for heating using 4 preset modes (setpoint on/off, hot tub, DHW tank, floor PWM). It is capable of operating a single relay (rated at 24 V, 2 A) to control a single device such as a boiler, pump, or valve.



Specifications

tN4 Setpoint Control 161 One Stage Heat	
Literature	D161, W161, J161, U161, D071
Control	Microprocessor control. This is not a safety (limit) control
Packaged weight	0.5 lb. (230 g)
Dimensions	2-7/8" H x 2-7/8" W x 13/16" D (73 x 73 x 21 mm)
Enclosure	White PVC plastic, NEMA type 1
Approvals	CSA C US, meets Class B: ICES & FCC Part 15
Ambient conditions	Indoor use only, 32 to 122°F (0 to 50°C), RH ≤92% to 104°F (40°C), and 50% above 104°F (40°C), Altitude <9840 ft. (3000 m), Pollution Degree 2
Power supply	24 V (ac) ± 10%, 50/60 Hz, 1.7 VA, NEC / GEC Class 2
Relays	24 V (ac) 2 A
Sensors	NTC thermistor, 10 kΩ @ 77°F (25°C ±0.2°C) β=3892
–Included	Universal Sensor 071
–Optional	tekmar type #070, 071, 072, 073, 076, 077, 078, 079, 082, 083, 084
Warranty	Limited 3 Year (See D161 for full warranty)

Features

- tekmarNet® 4 and tekmarNet® 2 compatible
- On / Off differential
- Hot tub operation
- DHW tank operation
- Floor operation
- Exercising
- Scenes supported
- Temperature sensor input
- WWSD (if connected to tekmarNet® network with outdoor sensor)
- Pulse Width Modulation control

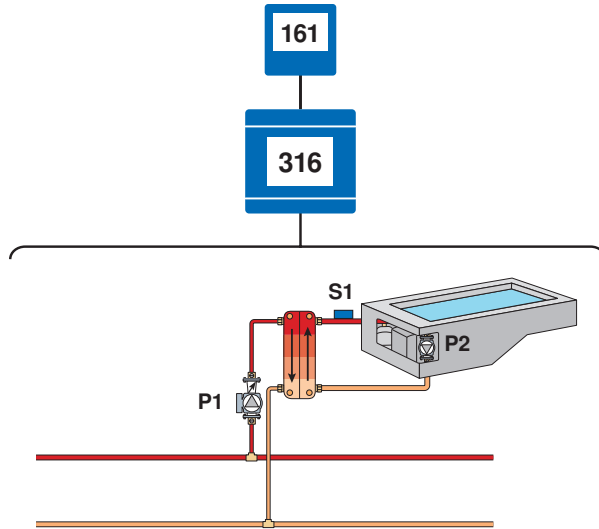
SPECIAL REQUIREMENTS

Designed to be used with a tekmarNet® Wiring Center or Zone Manager for power and communication. It can also be used in stand alone applications.

Sample Application Drawing

Below is a sample application drawing for this product. This application may include other tekmar products that are required for installation. More sample applications can be found at www.tekmarcontrols.com.

Sample Mechanical diagram



Sample Electrical diagram

Legend:

- P1 = System Pump
(Controlled by Zone Manager)**
- P2 = Circulation Pump
(Controlled by others)**
- S1 = Universal Sensor**

