

# tekmar® Submittal

## Snow / Ice Sensor 090



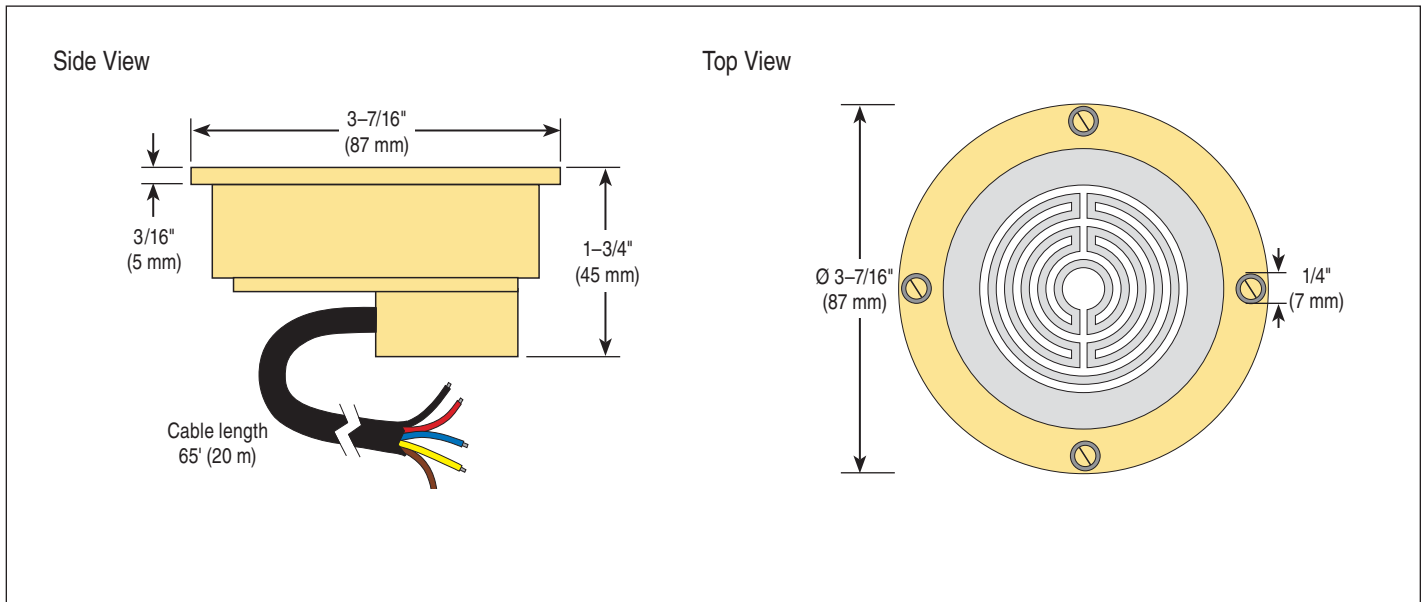
**C090**

10/13

Snow Melting Replaces: 01/11

Job \_\_\_\_\_ Designer \_\_\_\_\_ Contact \_\_\_\_\_

The Snow/Ice Sensor 090 is an in ground sensor used with tekmar snow melting controls to automatically detect snow or ice on a driveway or walkway. The 090 has 65 ft (20 m) of wire. This product can be used in applications ranging from residential driveways to commercial building fronts such as emergency access entries. This sensor allows tekmar snow melting controls to automatically operate the snow/ice melt system only when snow or ice is present, while also providing temperature feedback to the control.



### Specifications

Snow / Ice Sensor 090 In-slab, 65 ft. (20 m) Wire	
Literature	090_D, 090_C
Packaged weight	4.4 lb (2000 g)
Dimensions	1-3/4" H x 3-7/16" OD (45 mm H x 87 mm OD)
Sensor material	Silicon brass
Cable Material	65 ft. (20 m) 5 conductor stranded wire with polyethylene jacket
Approvals	CSA C US with tekmar Snow Melting Controls
Operating range	-30 to 170°F (-34 to 77°C)
Included	4 #4-40, 7/16" machined, stainless steel screws 4 #6-32, 3/8" flathead, slotted, stainless steel screws
Warranty	Limited 3 Year (See 090_D for full warranty)

### Energy Saving Features

- Automatic snow/ice detection so melting systems only operate when needed

### Additional Features

- Slab temperature sensing
- Long wire included so in field splicing is not necessary
- Designed for long life in driveway and walkway installations
- 65 ft (20 m) of cable

### SPECIAL REQUIREMENTS

The Snow / Ice Sensor 090 must be operated by a tekmar Snow Melting Control 653, 654, 661, 662, 664, 665 or 667. Operation of the sensor by 3rd party control systems may result in electrolysis failures not covered by the tekmar Limited Warranty.



tekmar Control Systems Ltd., A Watts Water Technologies Company. Head Office: 5100 Silver Star Road, Vernon, B.C. Canada V1B 3K4, 250-545-7749, Fax. 250-545-0650 Web Site: [www.tekmarControls.com](http://www.tekmarControls.com)

