

tekmar® Submittal

10K Solar Sensor 085



C085

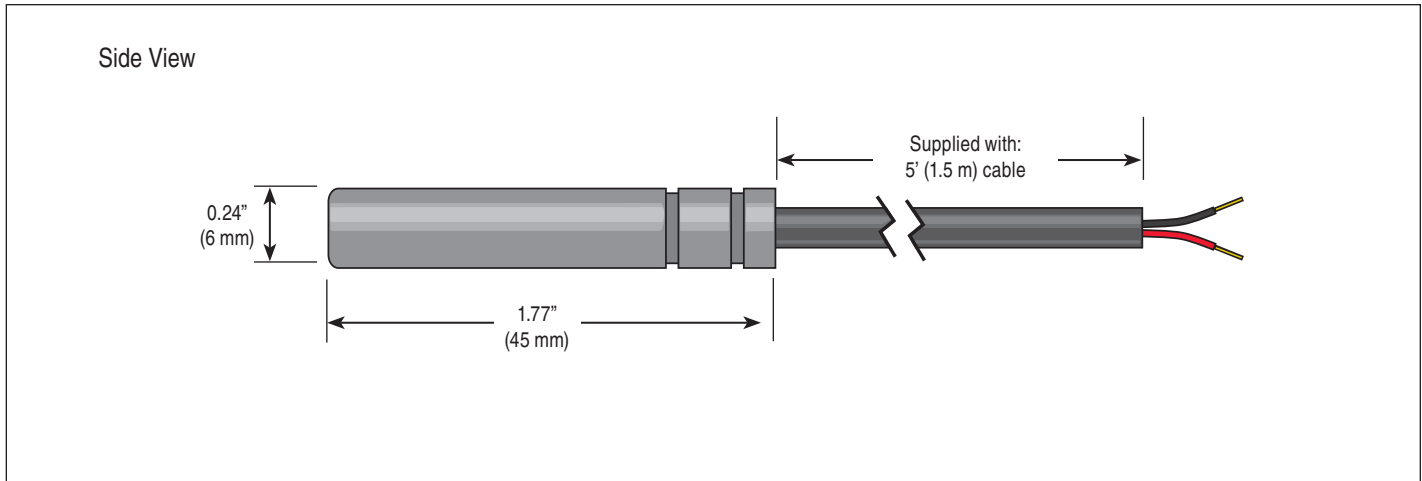
03/11

Accessories

Replaces: 01/11

Job _____ Designer _____ Contact _____

The Solar Sensor 085 is designed to be used as a sensor in solar applications. It has a stainless steel head and silicone jacketed wire, ideal for use as an immersion well sensor in a solar collector. This sensor is commonly used to measure the source temperature at a solar thermal collector.



Specifications

10K Solar Sensor 085	
Literature	D085
Packaged weight	0.12 lb (55 g)
Dimensions	0.24" (6 mm) O.D., 1.77" (45 mm) long with 5' (1.5 m) cable
Enclosure	SS304 metal tube, black silicone rubber ins, 2 conductor cable
Approvals	CSA C US
Operating Range	-40°F to 356°F (-40°C to 180°C)
Sensor	NTC thermistor, 10 kΩ @ 77°F (25°C ± 0.2°C), β = 3892
Warranty	Limited 3 year (see D085 for full warranty)

Features

- 10K thermistor
- Designed for use in solar thermal installations
- Fits common solar temperature sensor wells
- Rated to withstand temperatures up to 356°F (180°C)

Temperature vs. Resistance

Temperature		Resistance	Temperature		Resistance	Temperature		Resistance	Temperature		Resistance
°F	°C	Ω	°F	°C	Ω	°F	°C	Ω	°F	°C	Ω
-40°	-40°	336,479	68°	20°	12,493	176°	80°	1,255	284°	140°	235
-31°	-35°	242,681	77°	25°	10,000	185°	85°	1,070	293°	145°	208
-22°	-30°	176,974	86°	30°	8,057	194°	90°	915	302°	150°	186
-13°	-25°	130,421	95°	35°	6,531	203°	95°	786	311°	155°	166
-4°	-20°	97,081	104°	40°	5,326	212°	100°	678	320°	160°	148
5°	-15°	72,957	113°	45°	4,368	221°	105°	587	329°	165°	133
14°	-10°	55,329	122°	50°	3,602	230°	110°	510	338°	170°	119
23°	-5°	42,327	131°	55°	2,986	239°	115°	445	347°	175°	107
32°	0°	32,650	140°	60°	2,488	248°	120°	389	356°	180°	97
41°	5°	25,392	149°	65°	2,083	257°	125°	341	365°	185°	87
50°	10°	19,901	158°	70°	1,752	266°	130°	301	374°	190°	79
59°	15°	15,712	167°	75°	1,480	275°	135°	265	383°	195°	72

SPECIAL REQUIREMENTS

N / A



tekmar Control Systems Ltd., Canada, tekmar Control Systems, Inc., U.S.A. **Head Office: 5100 Silver Star Road, Vernon, B.C. Canada V1B 3K4, 250-545-7749, Fax. 250-545-0650 Web Site: www.tekmarcontrols.com**

