

# tekmar® Submittal

## Universal Sensor Enclosure 080



Accessories

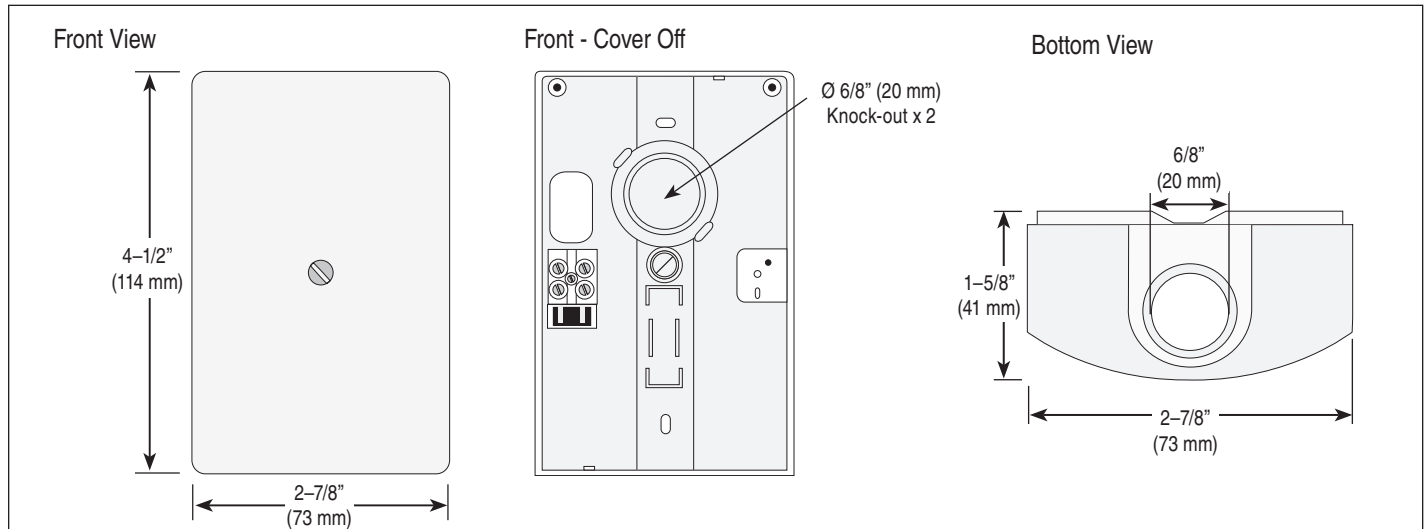
**C080**

01/11

Replaces: New

Job \_\_\_\_\_ Designer \_\_\_\_\_ Contact \_\_\_\_\_

The Universal Sensor Enclosure 080 is designed for mounting a universal sensor either into a standard 3/8" I.D. well, or strapped onto the surface of a 1" to 4" diameter pipe. The end of the enclosure has a knock out to connect 1/2" conduit.



### Specifications

Universal Sensor Enclosure 080	
Literature	D080
Packaged weight	0.4 lb. (181 g)
Dimensions	4-1/2" H x 2-7/8" W x 1-1/2" D (73 x 114 x 38 mm)
Enclosure	Glass reinforced modified PET, NEMA type 2
Approvals	CSA C US
Operating range	-60 to 255°F (-51 to 125°C)
Sensor required	tekmar type #: 071, 078, 082
Warranty	Limited 3 Year (See D080 for full warranty)

### Features

- CSA and C US Approved for use in USA and Canada

### Temperature vs. Resistance

Temperature		Resistance	Temperature		Resistance	Temperature		Resistance	Temperature		Resistance
°F	°C	Ω	°F	°C	Ω	°F	°C	Ω	°F	°C	Ω
-40°	-40°	336,479	68°	20°	12,493	176°	80°	1,255	284°	140°	235
-31°	-35°	242,681	77°	25°	10,000	185°	85°	1,070	293°	145°	208
-22°	-30°	176,974	86°	30°	8,057	194°	90°	915	302°	150°	186
-13°	-25°	130,421	95°	35°	6,531	203°	95°	786	311°	155°	166
-4°	-20°	97,081	104°	40°	5,326	212°	100°	678	320°	160°	148
5°	-15°	72,957	113°	45°	4,368	221°	105°	587	329°	165°	133
14°	-10°	55,329	122°	50°	3,602	230°	110°	510	338°	170°	119
23°	-5°	42,327	131°	55°	2,986	239°	115°	445	347°	175°	107
32°	0°	32,650	140°	60°	2,488	248°	120°	389	356°	180°	97
41°	5°	25,392	149°	65°	2,083	257°	125°	341	365°	185°	87
50°	10°	19,901	158°	70°	1,752	266°	130°	301	374°	190°	79
59°	15°	15,712	167°	75°	1,480	275°	135°	265	383°	195°	72

### SPECIAL REQUIREMENTS

N / A



tekmar Control Systems Ltd., Canada, tekmar Control Systems, Inc., U.S.A. Head Office: 5100 Silver Star Road, Vernon, B.C. Canada V1B 3K4, 250-545-7749, Fax. 250-545-0650 Web Site: [www.tekmarcontrols.com](http://www.tekmarcontrols.com)

