

For Commercial, Industrial & Marine Applications

Job Name _____

Job Location _____

Engineer _____

Approval _____

Tag _____

Contractor _____

Approval _____

Contractor's P.O. No. _____

Representative _____




BWS-200

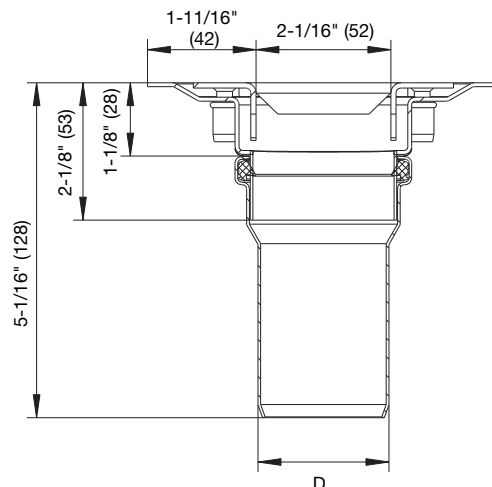
WaterLine Shower Channel w/ Surface Membrane Clamp (For Rubberized Sheet Flooring)

Specification

BLÜCHER BWS-200 AISI Type 304 stainless steel 5-3/8" (135) wide x (specify) long WaterLine shower channel with surface membrane clamp for rubberized sheet flooring, Vienna grating (standard), and bottom outlet.

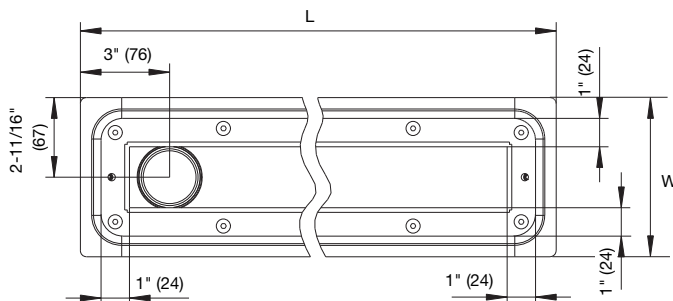


Optional Grating:			
	Suffix	Description	
	-None	Vienna (Standard)	<input type="checkbox"/>
	-C	Copenhagen	<input type="checkbox"/>
	-Q	Custom	<input type="checkbox"/>



Dimensional Chart

Model No.	Pipe Size	Top Size	
BWS-228	2" (50)	5-3/8"x27-1/2" (135x700)	<input type="checkbox"/>
BWS-232	2" (50)	5-3/8"x31-1/2" (135x800)	<input type="checkbox"/>
BWS-236	2" (50)	5-3/8"x35-1/2" (135x900)	<input type="checkbox"/>
BWS-240	2" (50)	5-3/8"x39-1/2" (135x1000)	<input type="checkbox"/>



Approvals



Compliance with NSF/ANSI/3-A 14159-1-Hygiene Requirements for the Design of Meat and Poultry Processing Equipment



Product is certified to the uniform plumbing code ASME A112.6.3

NOTICE

The information contained herein is not intended to replace the full product installation and safety information available or the experience of a trained product installer. You are required to thoroughly read all installation instructions and product safety information before beginning the installation of this product.



A WATTS Brand