

Engineering Specification

Job Name _____ Contractor _____
 Job Location _____ Approval _____
 Engineer _____ Contractor's P.O. No. _____
 Approval _____ Representative _____

RD-200-CP Roof Drain with 8" x 8" Promenade Top

Specification

Watts RD-200-CP epoxy coated cast iron roof drain with flashing clamp, 8" x 8" square heel proof epoxy coated ductile iron promenade top, and no hub (standard) outlet.



Call customer service if you need assistance with technical details.

Pipe Sizing	
Suffix	Description
2	2"(51) Pipe Size <input type="checkbox"/>
3	3"(76) Pipe Size <input type="checkbox"/>
4	4"(102) Pipe Size (NH Only) <input type="checkbox"/>

Outlet Type	
Suffix	Description
NH	No Hub (MJ) <input type="checkbox"/>
P	Push On <input type="checkbox"/>
T	Threaded <input type="checkbox"/>
X	Inside Caulk <input type="checkbox"/>

Optional Body Material	
Suffix	Description
-60	PVC Body w/Socket Outlet <input type="checkbox"/>
-61	ABS Body w/Socket Outlet <input type="checkbox"/>

**Deck Opening 6 1/2"(165)
with Sump Receiver 8"(203)**

Options	
Suffix	Description
-1	All Nickel Bronze Top <input type="checkbox"/>
-5	Sediment Bucket <input type="checkbox"/>
-6	Vandal Proof <input type="checkbox"/>
-9	Hinged Grate <input type="checkbox"/>
-13	Galvanized <input type="checkbox"/>
-B	Sump Receiver <input type="checkbox"/>
-D	Underdeck Clamp <input type="checkbox"/>
-F	Deck Flange/Adj. Extension <input type="checkbox"/>
-SO	Side Outlet <input type="checkbox"/>

Load Rating	Free Area Sq. In.
HD	41

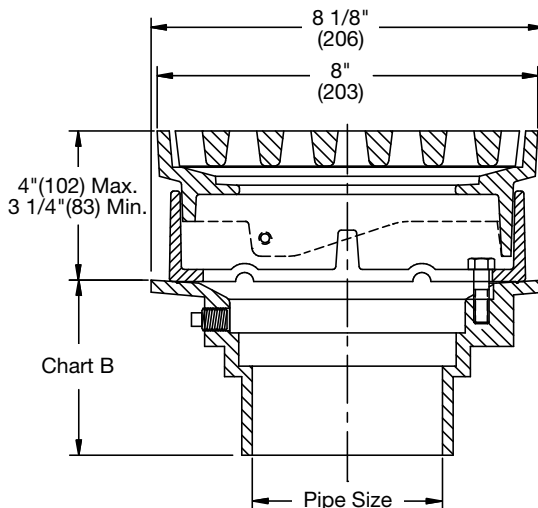


Chart B

Pipe Size	Std. No Hub	P Push On	T Female Thread	X Inside Caulk	60/61 PVC/ABS
2"(51)	3 5/8"(92)	4 1/4"(108)	4 1/4"(108)	4 1/2"(108)	4"(102)
3"(76)	3 5/8"(92)	4 1/4"(108)	4 1/4"(108)	4 1/2"(108)	4"(102)
4"(102)	3 5/8"(92)	4 1/4"(108)	4 1/4"(108)	4 1/2"(108)	4"(102)

NOTICE

The information contained herein is not intended to replace the full product installation and safety information available or the experience of a trained product installer. You are required to thoroughly read all installation instructions and product safety information before beginning the installation of this product.

Watts product specifications in U.S. customary units and metric are approximate and are provided for reference only. For precise measurements, please contact Watts Technical Service. Watts reserves the right to change or modify product design, construction, specifications, or materials without prior notice and without incurring any obligation to make such changes and modifications on Watts products previously or subsequently sold.

