

Job Name _____
 Job Location _____
 Engineer _____
 Approval _____

Contractor _____
 Approval _____
 Contractor's P.O. No. _____
 Representative _____

LEAD FREE^{*}

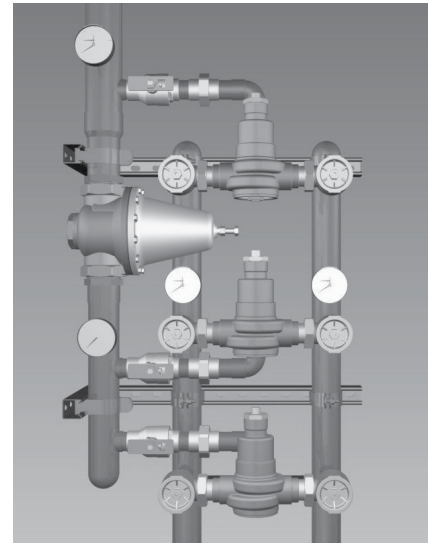
HydroGuard[®] XP

LFSH1434 Triple Valve

Supply Fixture – Exposed

Features

- Features Lead Free* construction to comply with Lead Free* installation requirements.
- Paraffin-based advanced thermal actuation technology to sense and adjust outlet temperature
- Dirt and lime resistant poppet and seat design
- Virtual shutoff if supply pressure fails
- Vandal-resistant locking mechanism to secure temperature setting
- Factory tested as a complete unit
- Mounted on heavy-duty welded struts
- Pressure/Temperature Gauges, Ball valves



Advanced Thermal Activation

Specifications

Connections	See ordering information
Maximum Hot Water Supply Temperature	200°F (93°C)
Minimum Hot Water Supply Temperature**	5°F (3°C) Above Set Point
Minimum Flow***	0.5 gpm (1.9 lpm)
Maximum Operating Pressure	125 psi (861 kPa)
Temperature Adjustment Range****	90 – 160°F (32 – 71°C)
Hot Water Inlet Temperature Range	120 – 180°F (49 – 82°C)
Cold Water Inlet Temperature Range	40 – 80°F (4 – 27°C)
Listing/Compliance (Valve Only)	ASSE 1017, CSA B125

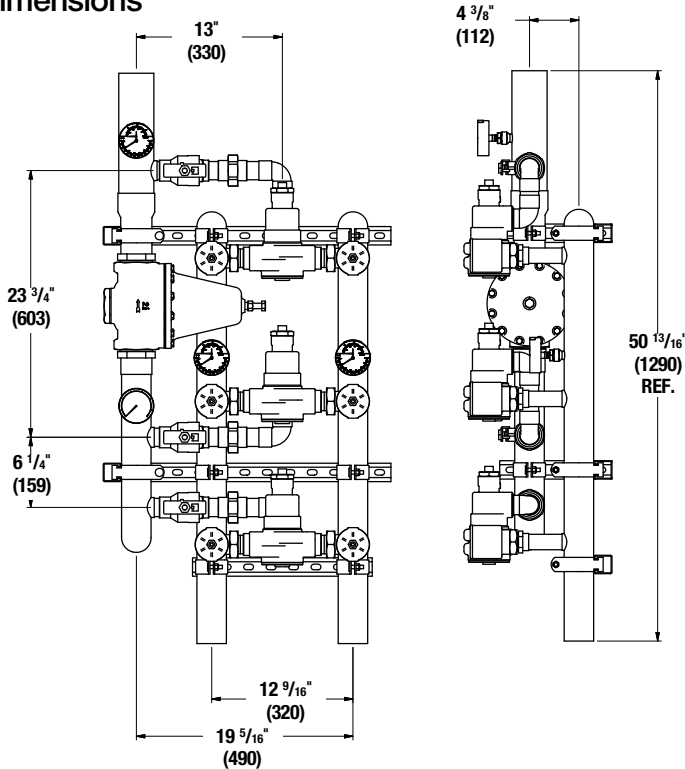
* The wetted surface of this product contacted by consumable water contains less than one quarter of one percent (0.25%) of lead by weight.
 ** With Equal Pressure
 *** Minimum flow when Hi/Lo valve is installed at or near hot water source recirculating tempered water with a properly sized continuously operating recirculating pump.
 **** Note: Low limit cannot be less than the cold water temperature. For best operation, hot water should be at least 5°F (3°C) above desired set point.

Capacity

Flow Capacity at 50-50 Mixed Ratio								
		Pressure Drop Across Valve						
Model	Min. Flow to ASSE 1017	Cv	5 psi (34 kPa)	10 psi (69 kPa)	20 psi (138 kPa)	30 psi (207 kPa)	45 psi (310 kPa)	60 psi (414 kPa)
LFSH1434TV	1 gpm 4 lpm	62.00	139 gpm 526 lpm	196 gpm 742 lpm	277 gpm 1049 lpm	340 gpm 1287 lpm	416 gpm 1575 lpm	480 gpm 1817 lpm

Powers product specifications in U.S. customary units and metric are approximate and are provided for reference only. For precise measurements, please contact Powers Technical Service. Powers reserves the right to change or modify product design, construction, specifications, or materials without prior notice and without incurring any obligation to make such changes and modifications on Powers products previously or subsequently sold.

Dimensions



Note:
Dimensions are shown $\pm 1/2"$
Dimensions in parentheses
are in mm

Ordering Information

L F S H 1 4 3 4 T V A E M O

Valve	Inlets	Outlet	Order Code
-------	--------	--------	------------

Triple Valve	2 1/2" (65mm)	3" (80mm)	TV
--------------	---------------	-----------	----

Finish

Rough Bronze

Piping

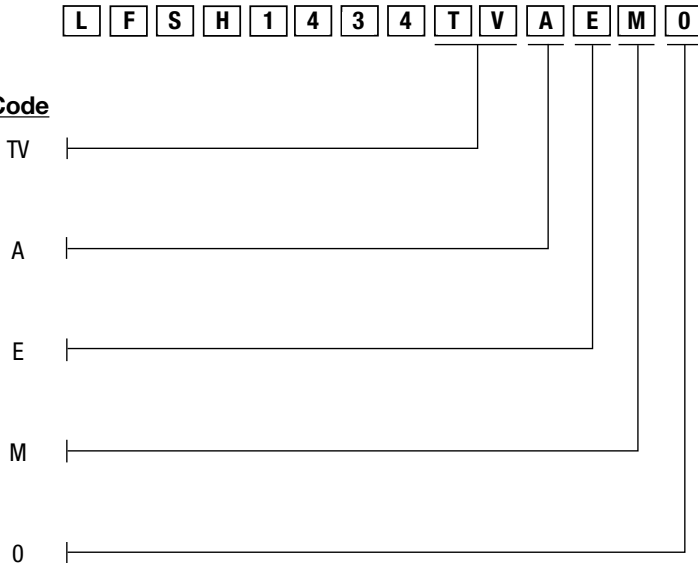
Bottom/Top

Cabinets

Exposed, No Cabinet

Alarm

None



Recirculation Piping Diagram

Please see Piping Diagram Section of this catalog.

Typical Specification

Triple Valve Hi/Lo Temperature Control System should include three thermostatic valves capable of maintaining water temperature to within the range of 90 – 160°F (32 – 71°C). Valves must compensate for fluctuations due to inlet water temperature changes. The valves shall be constructed using Lead Free* brass. Lead Free* brass valves shall comply with state codes and standards, where applicable, requiring reduced lead content. Valves shall have triple-duty checkstops and must have advanced, paraffin-based thermal actuation technology in order to guarantee a precise control when tested in accordance with ASSE 1017 and CSA B125. Thermostatic valves must be ASSE listed and CSA approved.

Triple-valve Hi/Lo system must include PRV, ball valves, pressure/temperature gauges and mounted on heavy-duty metal struts.

The Hi/Lo system shall be of Powers' LFSH1434TV. Any alternate must have a written approval prior to bidding.

POWERS™

A WATTS Brand

USA: Tel: (800) 669-5430 • Fax: (847) 229-0526 • PowersControls.com

Canada: Tel: (905) 332-4090 • Fax: (905) 332-7068 • PowersControls.ca

Latin America: Tel: (52) 81-1001-8600 • PowersControls.com