

Job Name _____

Contractor _____

Job Location _____

Approval _____

Engineer _____

Contractor's P.O. No. _____

Approval _____

Representative _____

HydroPanel®II

Shower System

with Biltmore 900 Pressure Balancing Valve

Description

The Powers HydroPanel®II Series 450-4000 Shower System combines pressure balanced water control with the convenience of modular shrouding. HydroPanel®II stainless steel shrouding provides a concealed shower system where in-wall piping does not exist or may not be practical. The single unit shower mounts easily onto preassembled copper tubing with just three screws.

Behind the shroud, a Biltmore 900 valve uses a proven poppet/diaphragm cartridge to balance hot and cold water supply flows. This sensitive diaphragm responds immediately to supply pressure changes to maintain the user adjusted bathing temperature. If either supply pressure fails, the valve virtually shuts off.

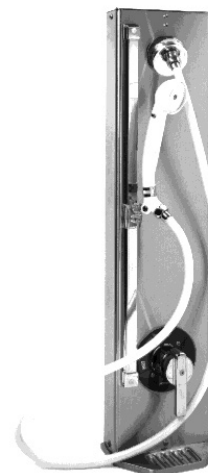
The HydroPanel®II units can be used for new or retrofit applications, such as single showers or for complete shower rooms. They are ideal in schools, factories, and remodeled buildings. Optional hand-held showers mounted on vertical glide rails provide easy shower access for users with limited mobility. Optional HydroPanel®II Modular Shrouding provides easy to install, interlocking stainless steel panels to conceal all exposed piping.

Features

- Installation requires minimal hardware: mount the brackets, connect supply piping and hang shrouding.
- All exposed surfaces are easy to clean stainless steel or chrome plated.
- The Celcon® balancing cartridge provides maximum protection against lime and dirt build up.
- Fixed (vandal resistant) and swivel showerheads are available.
- Single handle control and color coded dial offer quick and easy temperature selection.
- Optional hand-held showers with flexible hoses mount on 24" glide rails for use in special applications.
- Optional HydroPanel®II Modular Shrouding offers convenient configuration of horizontal and vertical panels to cover all exposed shower room piping. See ES-P-450SH for details on HydroPanel®II Modular Shrouding.
- Biltmore 900 valves are CSA certified, and meet the requirements of ANSI 112.18M and ASSE 1016 standards.
- All HydroPanel®II units with Biltmore 900 valves include a two year limited warranty.



HydroPanel®II
Model 450-4002
with Swivel Showerhead
and Soap Dish



HydroPanel®II
Model 450-4004
with Hand Shower
Assembly and Soap Dish

Specifications

HydroPanel®II: Brushed 18 Gauge 304 SS. Dimensions 31 1/8"H x 7 1/2"W x 6"D (791mm H x 191mm W x 154mm D).

Piping: 1/2" (15mm) copper tubing.

Showerhead: Fixed: Chrome plated brass, maximum flow 2.5 gpm @ 80 psi (.16 l/s @ 552 kPa). Adjustable Swivel: Chrome plated brass, 30° angle of rotation, maximum flow 2.5 gpm @ 80 psi (.16 l/s @ 552 kPa).

Valve Assembly: Biltmore 900 Pressure Balancing Valve. Four port (bottom outlet plugged), cast brass body with chrome plated zinc lever handle. 1/2" (15mm) sweat inlet/outlet connections. Standard integral checkstops. Standard handle rotation stop.

Valve Operation: 4.0 gpm @ 45 psi differential (.25 l/s @ 310 kPa). Maximum pressure (static) 125 psi (862 kPa). Maximum inlet temperature 180°F (82°C).

Hand Shower: Full spray with pushbutton water control. Minimum flow 2.0 gpm @ 20 psi (.13 l/s @ 138 kPa). Maximum flow 2.5 gpm @ 80 psi (.16 l/s @ 138 kPa). 1/2" (15mm) chrome finished supply connections. 24" (610mm) chrome finished brass glide bar, self-tensioned for easy height adjustment. Professional model: 60" (1499mm) reinforced vinyl hose. Deluxe Model: 60" (1499mm) metal spiral hose.

Powers product specifications in U.S. customary units and metric are approximate and are provided for reference only. For precise measurements, please contact Powers Technical Service. Powers reserves the right to change or modify product design, construction, specifications, or materials without prior notice and without incurring any obligation to make such changes and modifications on Powers products previously or subsequently sold.

POWERS™
A WATTS Brand

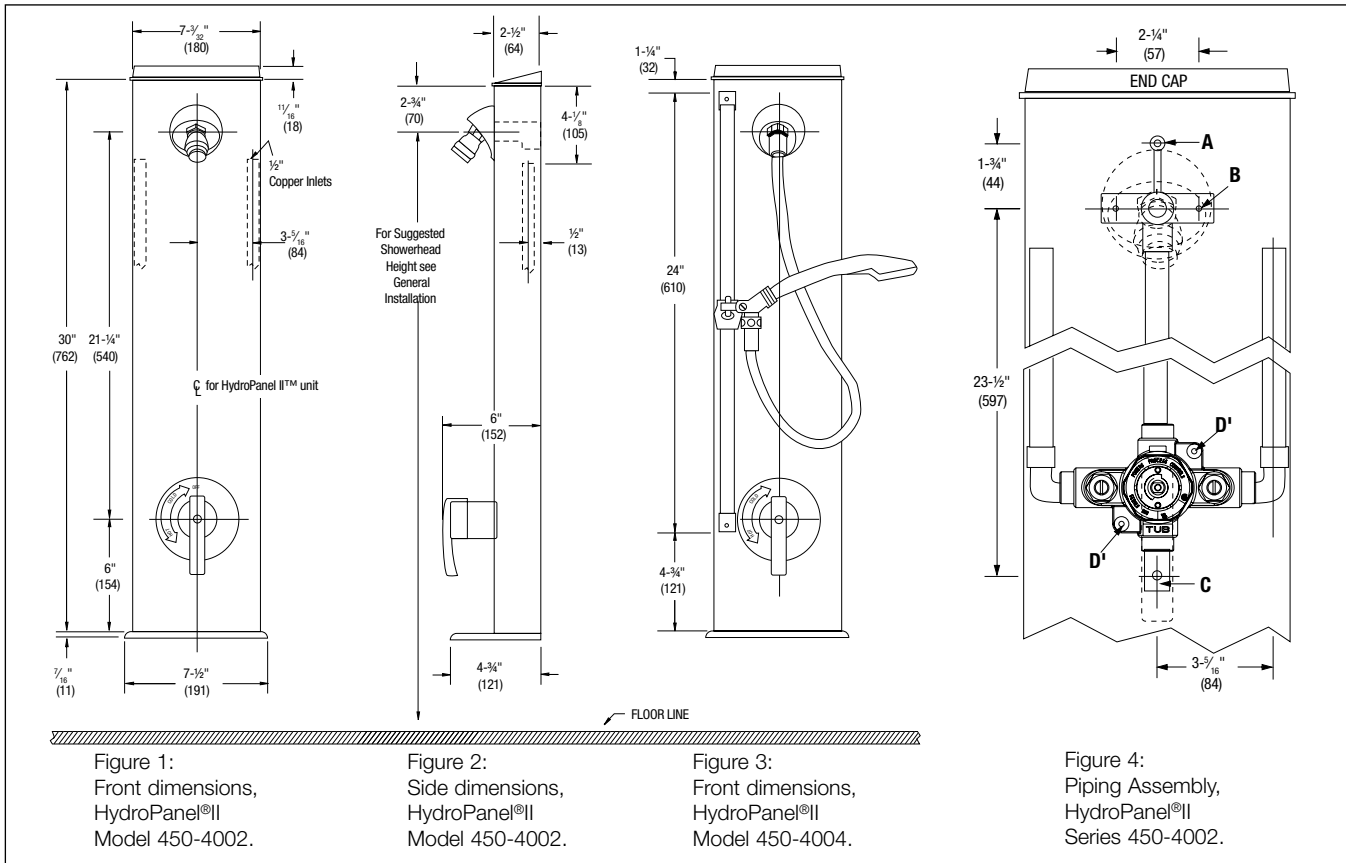
General Installation

The recommended minimum distance between the centerline of two HydroPanel®II units is 36 inches (914mm). Position units evenly between inlet supply piping.

Suggested showerhead heights (if not shown in architectural plans for shower room) are:

Men — 77" (1956mm) Youth — 66" (1676mm)

Women — 70" (1778mm) Youth — 60" (1524mm)



Ordering Information

HydroPanel®II with Biltmore 900 Pressure Balancing Valve

- | | Order Code |
|---|-------------------|
| <input type="checkbox"/> HydroPanel®II with Fixed Showerhead and Soap Dish..... | 450-4000 |
| <input type="checkbox"/> HydroPanel®II with Fixed Showerhead, less Soap Dish..... | 450-4001 |
| <input type="checkbox"/> HydroPanel®II with Swivel Showerhead and Soap Dish..... | 450-4002 |
| <input type="checkbox"/> HydroPanel®II with Swivel Showerhead, less Soap Dish..... | 450-4003 |
| <input type="checkbox"/> HydroPanel®II with Professional Hand Shower, Slide Bar, and Soap Dish | 450-4004 |
| <input type="checkbox"/> HydroPanel®II with Professional Hand Shower, Slide Bar, less Soap Dish | 450-4005 |
| <input type="checkbox"/> HydroPanel®II with Deluxe Hand Shower, Slide Bar, and Soap Dish | 450-4006 |

POWERS™

A WATTS Brand

USA: Tel: (800) 669-5430 • Fax: (847) 229-0526 • PowersControls.com
 Canada: Tel: (905) 332-4090 • Fax: (905) 332-7068 • PowersControls.ca
 Latin America: Tel: (52) 81-1001-8600 • PowersControls.com