

Job Name \_\_\_\_\_

Contractor \_\_\_\_\_

Job Location \_\_\_\_\_

Approval \_\_\_\_\_

Engineer \_\_\_\_\_

Contractor's P.O. No. \_\_\_\_\_

Approval \_\_\_\_\_

Representative \_\_\_\_\_

# Checkstop

## Part No. 230-046\*, Part No. 230-048\*

### Specifications

Description ..... 1/2" (15mm) Triple Duty Strainer  
Checkstop Pair

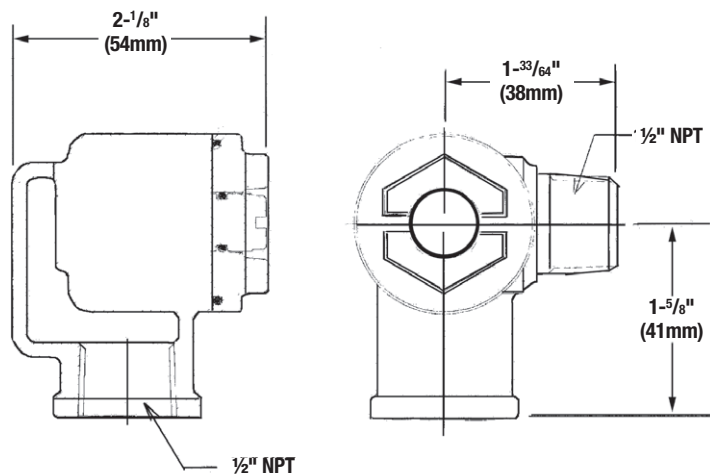
Material ..... Bronze

Finish ..... See chart below

Shipping Weight ..... 2.5 lb. (1.1 kg.)



### Dimensions



### Indicate Desired Fitting

3	Part Number	Type	Finish	Qty
<input type="checkbox"/>	230-046*	E	Rough Bronze	2
<input type="checkbox"/>	230-048*	F	Polished Chrome	2

\* Consists of one left hand and one right hand.

Powers product specifications in U.S. customary units and metric are approximate and are provided for reference only. For precise measurements, please contact Powers Technical Service. Powers reserves the right to change or modify product design, construction, specifications, or materials without prior notice and without incurring any obligation to make such changes and modifications on Powers products previously or subsequently sold.

**USA:** Tel: (800) 669-5430 • Fax: (847) 229-0526 • PowersControls.com  
**Canada:** Tel: (905) 332-4090 • Fax: (905) 332-7068 • PowersControls.ca  
**Latin America:** Tel: (52) 81-1001-8600 • PowersControls.com

**POWERS™**  
**A WATTS Brand**