

Engineering Specification

Job Name _____

Contractor _____

Job Location _____

Approval _____

Engineer _____

Contractor's P.O. No. _____

Approval _____

Representative _____

Showerhead
Part No. 141 801

Specifications

Description Low Flow Showerhead, "Type H"

Material ABS

Finish Polished Chrome

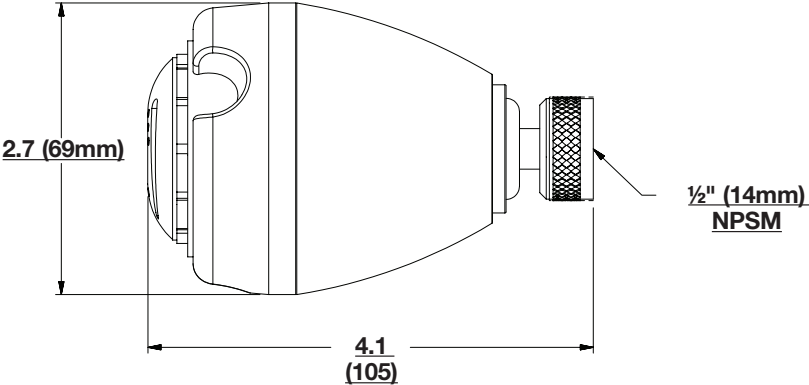
Agency/Spec Approval Meets ANSI

Maximum Flow 1.50 gpm @ 80 psi
(5.6 l/min @ 550 kPa)

Shipping Weight 0.49 lb (0.2 kgs)



Dimensions



NOTICE

The information contained herein is not intended to replace the full product installation and safety information available or the experience of a trained product installer. You are required to thoroughly read all installation instructions and product safety information before beginning the installation of this product.

POWERS™
A WATTS Brand