

Job Name \_\_\_\_\_  
 Job Location \_\_\_\_\_  
 Engineer \_\_\_\_\_  
 Approval \_\_\_\_\_

Contractor \_\_\_\_\_  
 Approval \_\_\_\_\_  
 Contractor's P.O. No. \_\_\_\_\_  
 Representative \_\_\_\_\_

# LEAD FREE\*

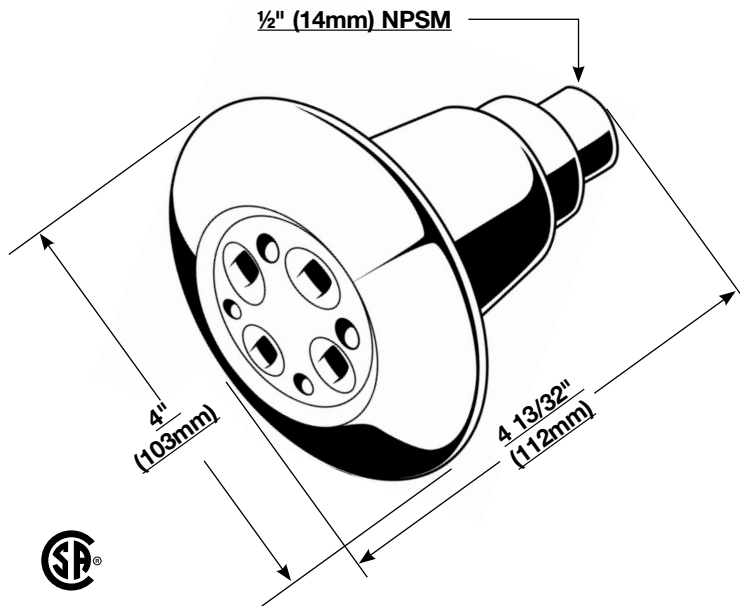
## LEED Showerhead

Part No. 141-800

### Specifications

Description .....	Low Flow Showerhead, "Type G"
Material .....	ABS
Finish .....	Polished Chrome
Agency/Spec Approval .....	ANSI A112.18.1M CSA B125.1
Maximum Flow .....	1.50 gpm @ 80 psi (5.6 l/min @ 550 kPa)
Shipping Weight .....	2.5 lb (1.1 kgs)

### Dimensions



\* The wetted surface of this product contacted by consumable water contains less than one quarter of one percent (0.25%) of lead by weight.

Powers product specifications in U.S. customary units and metric are approximate and are provided for reference only. For precise measurements, please contact Powers Technical Service. Powers reserves the right to change or modify product design, construction, specifications, or materials without prior notice and without incurring any obligation to make such changes and modifications on Powers products previously or subsequently sold.

**POWERS™**

**A WATTS Brand**

**USA:** Tel: (800) 669-5430 • Fax: (847) 229-0526 • PowersControls.com  
**Canada:** Tel: (905) 332-4090 • Fax: (905) 332-7068 • PowersControls.ca  
**Latin America:** Tel: (52) 81-1001-8600 • PowersControls.com