

# Engineering Specification

Job Name \_\_\_\_\_

Contractor \_\_\_\_\_

Job Location \_\_\_\_\_

Approval \_\_\_\_\_

Engineer \_\_\_\_\_

Contractor's P.O. No. \_\_\_\_\_

Approval \_\_\_\_\_

Representative \_\_\_\_\_

## In-Line Diverter Valves

### 141-600B, 141-600E & 141-600F

#### Description

HydroGuard® 3-port, in-line diverter valve provides smooth transfer of water from one outlet (showerhead) to another (hand shower or tub spout). Compatible with all Biltmore 900, HydroGuard 410, HydroGuard T/P Series e700 and e420 tempering shower valves.

Valve features:

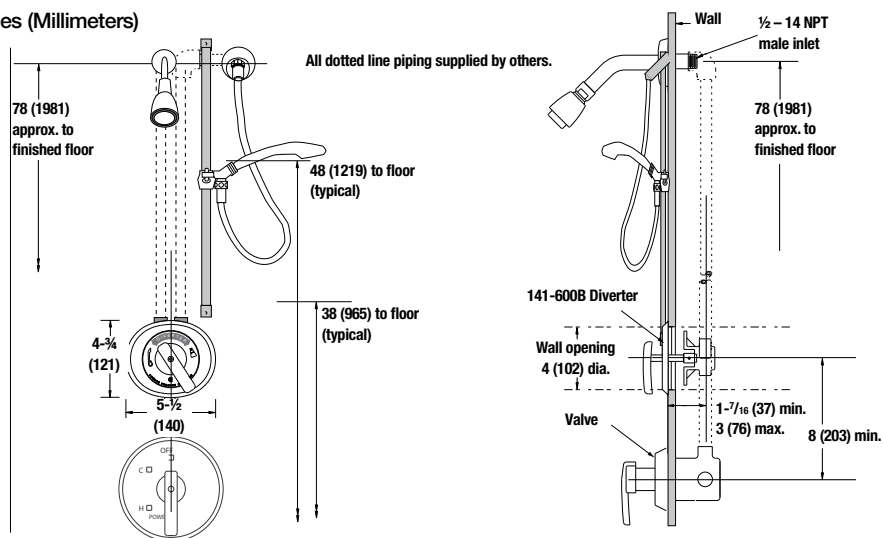
- Cast bronze body.
- Chrome-plated zinc die-cast, ABS, ADA-compliant handles.
- Stainless steel faceplate.
- Easy-to-read graphic insert.

#### Specifications

Connections .....	1/2" sweat inlets and outlet
Capacity .....	6.0 gpm @ 45 psi differential (23 L/min @ 310 kPa)
Maximum Inlet Temperature .....	180°F [82°C]
Maximum Operating Pressure .....	125 psi [862 kPa]
Agency Approvals .....	ADA-compliant handle
Certified .....	CSA-B125
Shipping Weight .....	3.0 lbs [1.4 kgs.]

#### Typical Installation

Inches (Millimeters)



Standard Metal Handle  
141-600B



Deluxe ABS Handle  
141-600E



Deluxe Metal Handle  
141-600F

ADA-compliant handles



Powers product specifications in U.S. customary units and metric are approximate and are provided for reference only. For precise measurements, please contact Powers Technical Service. Powers reserves the right to change or modify product design, construction, specifications, or materials without prior notice and without incurring any obligation to make such changes and modifications on Powers products previously or subsequently sold.

## Parts and Repair Kits

Handle Kit #141-620 For 141-600B		
Item	Description	Qty
A	Lever Handle Screw	1
B	Lever Handle	1

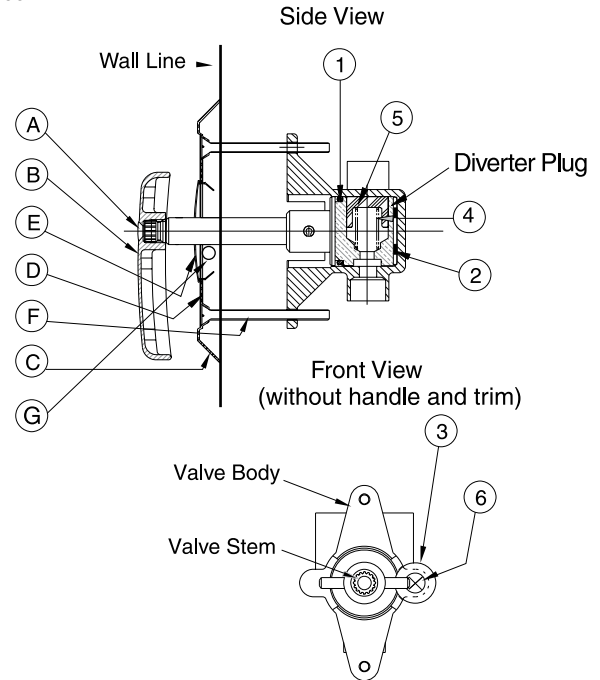
Handle Kit #220-052A For 141-600E		
Item	Description	Qty
A	Lever Handle Screw	1
B	Lever Handle	1

Handle Kit #220-050 For 141-600F		
Item	Description	Qty
A	Lever Handle Screw	1
B	Lever Handle	1

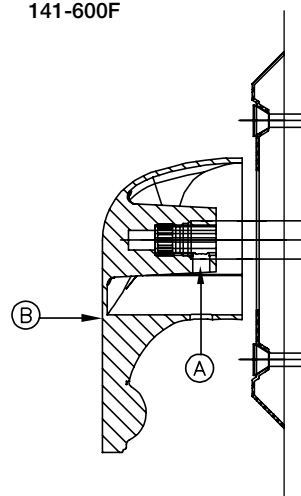
Trim Kit #141-622		
Item	Description	Qty
C	Trim Plate	1
D	Graphic Insert	1
E	Plug Button	1
F	Trim Plate Screws	2
G	Gasket	1

Rebuild Kit #141-621		
Item	Description	Qty
1	"O" -Ring	1
2	Washer	1
3	Washer	1
4	Spring	1
5	Shut-Off Plug	1
6	Screw	1

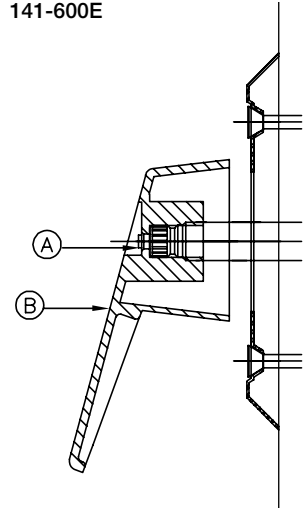
141-600B



141-600F



141-600E



# POWERS™

A WATTS Brand

USA: Tel: (888) 432-8932 • PowersControls.com  
 Canada: Tel: (888) 208-8927 • PowersControls.ca  
 Latin America: Tel: (52) 55-4122-0138 • PowersControls.com