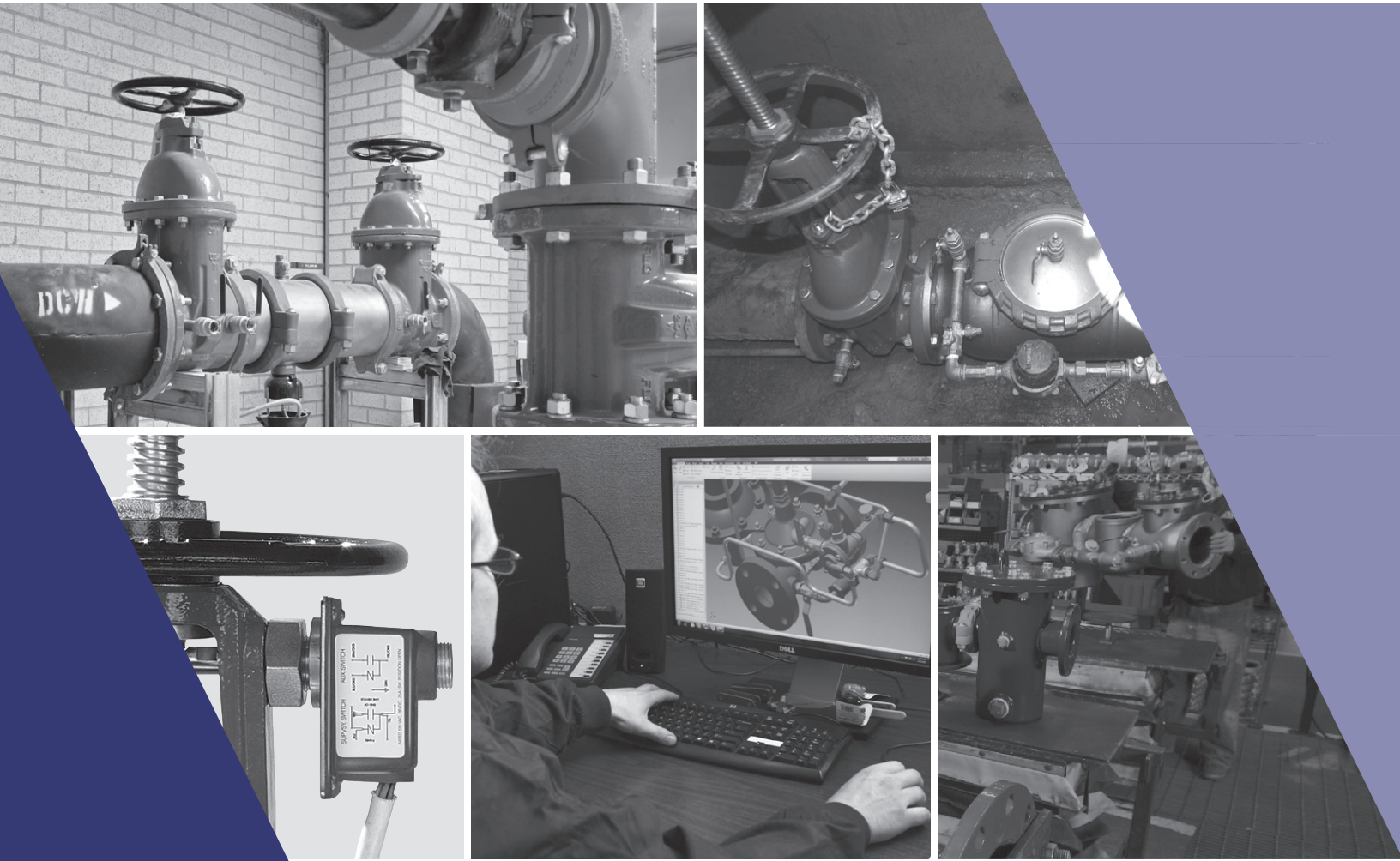


# Price List

Backflow Prevention Products, Repair Kits, and Parts



Effective January 6, 2025

All prices supersede previous issues, are temporary and subject to change without notice.

# Electronic is Green!

**For the latest Ames pricing information in  
electronic format, visit our Data Exchange at:**

<http://www.wattswater.com/dataexchange>

- Download product and list price data in .csv, .pdf, .tsv, .xls and .xml formats
- Easy access to list price data for business systems
- Sign up for e-mail alerts when data is updated
- Access other Watts Water Technologies brands pricing data

## Contents — PRODUCTS

Series	Page
<b>Single Detector Check Valves</b>	
1000SS DCV ..... (Stainless Steel Body).....	3
1000 DCV ..... (Fusion Bonded Epoxy Steel Body).....	3
1005 DCV ..... (Fusion bonded Epoxy Steel Body).....	4
1010 DCV ..... (Fusion Bonded Epoxy Steel Body).....	4
1000 DCV ..... (Cast Iron Body).....	4
ACVW-125 ..... (Cast Iron Body).....	4
<b>In-Building Risers</b>	
IBR ..... (Stainless Steel).....	5
<b>Double Check Valve Assemblies</b>	
2000B/LF2000B. (Bronze Body).....	6
C200..... (Stainless Steel Body).....	7
M200..... (Stainless Steel Body).....	8
2000SS..... (Stainless Steel Body).....	9
<b>Double Check Detector Assemblies</b>	
3000BM1 ..... (Bronze Body).....	10
C300..... (Stainless Steel Body).....	10-12
M300..... (Stainless Steel Body).....	12-13
3000SS..... (Stainless Steel Body).....	14-15
<b>Reduced Pressure Zone Assemblies</b>	
4000B/LF4000B. (Bronze Body).....	16
C400..... (Stainless Steel Body).....	17-18
M400..... (Stainless Steel Body).....	19
4000SS..... (Stainless Steel Body).....	20
<b>Reduced Pressure Detector Assemblies</b>	
C500..... (Stainless Steel Body).....	21-24
M500..... (Stainless Steel Body).....	24-26
5000SS..... (Stainless Steel Body).....	26-27
<b>Miscellaneous Backflow Products</b>	
FFF/FPP ..... Irrigation galvanized Swing Spring Check Valve.....	28
ASCV..... Anti-siphon Check Valve.....	28
6000 HMB/ 4000 BLT ..... Hydrant Meter Backflow .....	28
<b>Miscellaneous Products</b>	
8000-F/8000-G . Stainless Steel Wye Strainers.....	29
7001/7002..... Basket Strainers.....	29
LFAFBV-FP ..... Gear Operated Slow-Close Ball Valve.....	29
AVS-C..... Valve Setters.....	30
<b>Accessories</b>	
Air Gaps.....	31
Elbows.....	31
Test Cocks.....	31
Test Kit.....	31
Meters.....	31
Spools/Flanges.....	31

## Contents — REPAIR KITS & PARTS

Series	Size	Page
<b>Single Check Valves</b>		
1000DCV .....	4" – 10"	33
1000SS DCV .....	4" – 10"	34
<b>Double Check Valve Assemblies, Double Check Detector Assemblies</b>		
200B .....	½" – 2"	35
2000B/LF2000B.....	½" – 2"	36
3000B .....	2"	37
C200, C300/LFC300.....	2½" – 10"	38
C200(a), C300(a) .....	2½" – 6"	38
M200, M300/LFM300.....	2½" – 10"	39
M200(a), M300(a) .....	2½" – 4"	39
2000SS, 3000SS.....	2½" – 6"	40
2000SE, 3000SE.....	6" and 8"	40
2000SS .....	8" – 12"	41
3000SS .....	8" – 12"	41
2001SS .....	2½" – 8"	42
3001SS .....	2½" – 8"	42
2000CIV .....	2½" – 3"	43
3000CIV .....	2½" – 3"	43
2000CIV .....	4" – 10"	44
3000CIV .....	4" – 10"	44
2000DCA.....	4" – 10"	45
3000DCDA.....	4" – 10"	45
2000DC.....	4" – 10"	46
3000DCDC.....	4" – 10"	46
<b>Reduced Pressure Zone Assemblies, Reduced Pressure Detector Assemblies</b>		
400B .....	¼" – 2"	47
4000B/LF4000B.....	½" – 2"	48
C400, C500/LFC500.....	2½" – 10"	49
M400, M500/LFM500 .....	2½" – 10"	50
C400, C500 Relief Valve.....		51
4000SS.....	2½" – 10"	52
5000SS.....	2½" – 6"	52
4000CIV .....	4" – 10"	53
5000CIV .....	2½" – 10"	54-55
4000 RP.....	4" – 10"	56
5000 RPDA.....	4" – 10"	57
4000 Relief Valve.....	4" – 10"	58
<b>Miscellaneous</b>		
A200.....	½" – 2"	59
FFF, FPP, ASCV.....	3" – 10"	60
<b>Accessories</b>		
Air Gaps.....		61
Elbows.....		61
In-Building Riser Gaskets.....		61
Test Cocks.....		61
Test Kit.....		61
Meters.....		61
Ball Valves/Ball Valve Handle Kits.....		61
Butterfly Valves.....		62
Gate Valves.....		62
Bypass Assemblies.....		63-64

## Terms and Conditions

<b>Freight Terms</b>	All shipments are F.O.B. shipping point. Shipments from factory less than 1000 lbs. are F.O.B. factory. Factory shipments OF \$5000 net and over within the continental U.S.A. will be prepaid and allowed when made at the lowest motor carrier transportation rate.
<b>Terms of Sale</b>	All sales are F.O.B. shipping point.
<b>Payment Terms</b>	The invoices are due and payable 30 days from the date of invoice.
<b>Purchase Order Forms</b>	Orders submitted on customers own purchase order forms will be accepted only with the express understanding that no statements, clauses, or conditions contained in said order form will be binding on the Seller if they in any way modify the Seller's own terms and conditions of sales.
<b>Stocking Wholesaler Minimum Charge</b>	A minimum billing charge of \$200.00 applies to shipments F.O.B. factory. Stocking Wholesalers Customers are encouraged to order sufficient materials to avoid this charge which is necessitated by costs of processing small orders.
<b>Minimum Charge</b>	A minimum billing charge of \$200.00 applies to shipments F.O.B. factory, necessitated by costs of processing small orders.
<b>Special Products</b>	Orders for special or modified products are non-cancelable. In the event that the customer cancels an order for such products, Watts shall charge the customer an amount equal to Watts' costs and expenses incurred in performing the purchase order prior to receipt of notice of cancellation.
<b>Limited Warranty</b>	Ames Fire & Waterworks (the "Company") warrants each product to be free from defects in material and workmanship under normal usage for a period of one year from the date of original shipment. In the event of such defects within the warranty period, the Company will, at its option, replace or recondition the product without charge.

**THE WARRANTY SET FORTH HEREIN IS GIVEN EXPRESSLY AND IS THE ONLY WARRANTY GIVEN BY THE COMPANY WITH RESPECT TO THE PRODUCT. THE COMPANY MAKES NO OTHER WARRANTIES, EXPRESS OR IMPLIED. THE COMPANY HEREBY SPECIFICALLY DISCLAIMS ALL OTHER WARRANTIES, EXPRESS OR IMPLIED, INCLUDING BUT NOT LIMITED TO THE IMPLIED WARRANTIES OF MERCHANTABILITY AND FITNESS FOR A PARTICULAR PURPOSE.**

The remedy described in the first paragraph of this warranty shall constitute the sole and exclusive remedy for breach of warranty, and the Company shall not be responsible for any incidental, special or consequential damages, including without limitation, lost profits or the cost of repairing or replacing other property which is damaged if this product does not work properly, other costs resulting from labor charges, delays, vandalism, negligence, fouling caused by foreign material, damage from adverse water conditions, chemical, or any other circumstances over which the Company has no control. This warranty shall be invalidated by any abuse, misuse, misapplication, improper installation or improper maintenance or alteration of the product. Some States do not allow limitations on how long an implied warranty lasts, and some States do not allow the exclusion or limitation of incidental or consequential damages. Therefore the above limitations may not apply to you. This Limited Warranty gives you specific legal rights, and you may have other rights that vary from State to State. You should consult applicable state laws to determine your rights. **SO FAR AS IS CONSISTENT WITH APPLICABLE STATE LAW, ANY IMPLIED WARRANTIES THAT MAY NOT BE DISCLAIMED, INCLUDING THE IMPLIED WARRANTIES OF MERCHANTABILITY AND FITNESS FOR A PARTICULAR PURPOSE, ARE LIMITED IN DURATION TO ONE YEAR FROM THE DATE OF ORIGINAL SHIPMENT.**

**Service Policy** For inoperative products beyond the warranty period, we assume no liability for replacement of valves due to service conditions beyond our control.

**Returned Goods** No material shall be returned without authorization. When credit is issued it will be at the price charged, or prevailing price if lower, less handling charges based on costs of reconditioning, boxing, etc. However, a minimum 25% handling charge will apply. A minimum handling charge of \$20.00 is applied whenever the 25% handling deduction does not total \$20.00. Products which are obsolete or made to special order are not returnable.

**Note** Prices and terms are subject to change without notice and supersede all previous quotations. The right is reserved to change or modify products design or construction without prior notice and without incurring any obligation to make such changes and modifications on products previously or subsequently sold.



# Single Detector Check Valves



4" – 6" 1000SS-DCV



8" – 10" 1000SS-DCV



1000-DCV

MODEL	ORDERING CODE	SIZE	QTY. PER CARTON	WEIGHT PER CARTON (LBS.)	LIST PRICE (EACH)
-------	---------------	------	-----------------	--------------------------	-------------------

**1000SS DCV - Stainless Steel Bodies, Drilled, tapped and plugged for right or left bypass line. 125# flanged end connections. \*UL/FM ♦UL**

1000SS-DCV♦	0690829	–	4"	1	54	2,840.00
1000SS-DCV♦	0690836	–	6"	1	86	4,198.00
1000SS-DCV*	0690869	–	8"	1	139	6,799.00
1000SS-DCV*	0690870	–	10"	1	161	12,357.00
1000SS-DCV w/bypass-CFM/GPM♦	0690972	0690831	4"	1	59	4,907.00
1000SS-DCV w/bypass-CFM/GPM♦	0690973	0690837	6"	1	91	6,622.00
1000SS-DCV w/bypass-CFM/GPM*	0691522	0691520	8"	1	160	9,959.00
1000SS-DCV w/bypass-CFM/GPM*	0691523	0691521	10"	1	174	17,220.00

**Less meter**

1000SS-DCV w/bypass-LM♦	0691702	–	4"	1	57	4,706.00
1000SS-DCV w/bypass-LM♦	0691703	–	6"	1	89	6,420.00
1000SS-DCV w/bypass-LM*	0691719	–	8"	1	158	9,756.00
1000SS-DCV w/bypass-LM*	0691720	–	10"	1	172	17,016.00

**1000 DCV - Fusion Bonded Epoxy Steel Bodies, Drilled, tapped and plugged for right or left bypass line. 125# flanged end connections. UL/FM.**

1000-DCV	0690264	–	4"	1	65	3,444.00
1000-DCV	0690265	–	6"	1	101	5,091.00
1000-DCV	0690266	–	8"	1	159	8,249.00
1000-DCV	0690267	–	10"	1	184	14,988.00
1000-DCV (Not UL/FM)	0691678	–	12"	1	190	22,138.00
1000-DCV w/bypass-CFM/GPM	0690871	0690312	4"	1	75	4,764.00
1000-DCV w/bypass-CFM/GPM	0690872	0690313	6"	1	111	6,430.00
1000-DCV w/bypass-CFM/GPM	0690873	0690314	8"	1	169	9,667.00
1000-DCV w/bypass-CFM/GPM	0690874	0690315	10"	1	194	16,712.00

**Less meter**

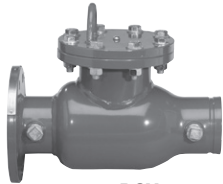
1000-DCV w/bypass-LM	7016184	–	4"	1	73	4,586.00
1000-DCV w/bypass-LM	7016185	–	6"	1	109	6,244.00
1000-DCV w/bypass-LM	7016186	–	8"	1	167	9,486.00
1000-DCV w/bypass-LM	7016187	–	10"	1	192	16,533.00

GPM - Gallons per minute  
 CPM - Cubic Feet per minute  
 LM - Less Meter



\*The wetted surface of this product contacted by consumable water contains less than 0.25% of lead by weight.

# Single Detector Check Valves and In-Building Risers



1005-DCV

MODEL	ORDERING CODE	SIZE	QTY. PER CARTON	WEIGHT PER CARTON (LBS.)	LIST PRICE (EACH)
-------	---------------	------	-----------------	--------------------------	-------------------

**1005 DCV - Fusion Bonded Epoxy Steel Bodies, Drilled, tapped and plugged for right or left bypass line. 125# flanged x Grooved end connections.**

1005-DCV	0690612	-	4"	1	61	\$ 3,548.00
1005-DCV	0690629	-	6"	1	96	5,238.00
1005-DCV w/bypass-CFM/GPM	0690952	0690613	4"	1	74	4,910.00
1005-DCV w/bypass-CFM/GPM	0690960	0690630	6"	1	101	6,623.00
<b>Less meter</b>						
1005-DCV w/bypass-LM	0691558	-	4"	1	72	4,719.00
1005-DCV w/bypass-LM	0691559	-	6"	1	99	6,432.00

**1010 DCV - Fusion Bonded Epoxy Steel Bodies, Drilled, tapped and plugged for right or left bypass line. Groove x Groove end connections.**

1010-DCV	0690614	-	4"	1	63	3,548.00
1010-DCV	0690631	-	6"	1	96	5,238.00
1010-DCV w/bypass-CFM/GPM	0690953	0690615	4"	1	63	4,910.00
1010-DCV w/bypass-CFM/GPM	0690961	0690632	6"	1	101	6,623.00
<b>Less meter</b>						
1010-DCV w/bypass-LM	7016189	-	4"	1	61	4,719.00
1010-DCV w/bypass-LM	7016190	-	6"	1	99	6,432.00

**1000 DCV - Cast Iron Bodies - Available with Flanged or Threaded end connections.**

1000-DCV-FLG	0690259	-	2"	1	31	3,071.00
1000-DCV-FLG w/bypass-CFM/GPM	0690868	0690257	1 1/2"	1	31	3,921.00
1000-DCV-FLG w/bypass-CFM/GPM	0691508	0690261	2"	1	38	3,744.00
1000-DCV-THD w/bypass-CFM/GPM	0691507	0690260	2"	1	38	3,744.00
<b>Less meter</b>						
1000-DCV-FLG w/bypass-LM	7016181	-	1 1/2"	1	29	3,729.00
1000-DCV-FLG w/bypass-LM	0690263	-	2"	1	36	3,557.00
1000-DCV-THD w/bypass-LM	7016182	-	2"	1	36	3,557.00

**Cast Iron Silent Check Valves**

ACVW-125	0625601	-	2 1/2"	1	7	1,397.00
ACVW-125	0625602	-	3	1	11	1,578.00
ACVW-125	0625603	-	4	1	18	2,112.00
ACVW-125	0625604	-	5	1	25	2,858.00
ACVW-125	0625606	-	8	1	80	6,120.00
ACVW-125	0625607	-	10	1	129	9,105.00

LEAD FREE



ACVW-125

GPM - Gallons per minute  
 CPM - Cubic Feet per minute  
 LM - Less Meter



\*The wetted surface of this product contacted by consumable water contains less than 0.25% of lead by weight.



# Single Detector Check Valves and In-Building Risers



In-Building Risers

MODEL	ORDERING CODE	SIZE	QTY. PER CARTON	WEIGHT PER CARTON (LBS.)	LIST PRICE (EACH)
-------	---------------	------	-----------------	--------------------------	-------------------

## In-Building Risers

STAINLESS STEEL					UNIT WEIGHT		
LEAD FREE	6' x 6' Grv x CIPS	0690970	-	4"	14	71	\$ 3,427.00
	6' x 6' Grv x CIPS	0690969	-	6"	10	98	4,958.00
	6' x 6' Grv x CIPS	0690968	-	8"	3	129	6,776.00
	6' x 6' Grv x CIPS	0690971	-	10"	2	202	10,433.00
	5' x 7' Grv x CIPS	88008106	-	4	5	188	3,427.00
	5' x 7' Grv x CIPS	88008107	-	6	4	234	4,958.00
	5' x 7' Grv x CIPS	88008108	-	8	3	375	6,776.00
	5' x 7' Grv x CIPS	88008109	-	10	2	390	10,433.00
	STAINLESS STEEL					UNIT WEIGHT	
	LEAD FREE	6' x 6' Flg x CIPS	0691160	-	4"	12	71
6' x 6' Flg x CIPS		0691161	-	6"	5	98	4,958.00
6' x 6' Flg x CIPS		0691162	-	8"	3	129	6,776.00
6' x 6' Flg x CIPS		0691163	-	10"	2	202	10,433.00
5' x 7' Flg x CIPS		88008110	-	4	5	188	3,427.00
5' x 7' Flg x CIPS		88008111	-	6	4	235	4,958.00
5' x 7' Flg x CIPS		88008112	-	8	3	375	6,776.00
5' x 7' Flg x CIPS		88008113	-	10	2	390	10,433.00
6' x 6' Flg x Flg		0691128	-	4	7	290	2,099.00
6' x 6' Flg x Flg		0691129	-	6	5	334	2,627.00
6' x 6' Flg x Flg	88008117	-	12	1	588	14,711.00	

## IBR2 Small Diameter In-Building Risers

LEAD FREE	6' x 6' Grv x Grv	88006374	-	2	13	53	1,106.00
	6' x 6' Thd x Thd	88006372	-	2	13	53	1,106.00
	6' x 6' Grv x Thd	88006373	-	2	13	53	1,106.00
	4' x 6' Grv x Grv	88006371	-	2	13	47	1,034.00
	4' x 6' Thd x Thd	88006369	-	2	13	47	1,034.00
	4' x 6' Grv x Thd	88006370	-	2	13	47	1,034.00
	4' x 4' Grv x Grv	88006368	-	2	13	41	948.50
	4' x 4' Thd x Thd	88006366	-	2	13	41	948.50
	4' x 4' Grv x Thd	88006367	-	2	13	41	948.50
	6' x 6' Grv x Grv	88006666	-	2 1/2	11	84	1,615.00
	6' x 6' Thd x Thd	88006667	-	2 1/2	10	84	1,615.00
	6' x 6' Grv x Thd	88006665	-	2 1/2	11	84	1,615.00
	4' x 6' Grv x Grv	88006663	-	2 1/2	11	72	1,510.00
	4' x 6' Thd x Thd	88006662	-	2 1/2	11	72	1,314.00
	4' x 6' Grv x Thd	88006664	-	2 1/2	11	72	1,510.00
	4' x 4' Grv x Grv	88006660	-	2 1/2	11	64	1,314.00
	4' x 4' Thd x Thd	88006661	-	2 1/2	11	64	1,510.00
	4' x 4' Grv x Thd	88006659	-	2 1/2	11	64	1,314.00
	6' x 6' Grv x Grv	88006697	-	3	9	107	1,796.00
	6' x 6' Thd x Thd	88006695	-	3	9	107	1,796.00
	6' x 6' Grv x Thd	88006696	-	3	9	107	1,796.00
	4' x 6' Grv x Grv	88006694	-	3	9	92	1,654.00
	4' x 6' Thd x Thd	88006692	-	3	9	92	1,654.00
	4' x 6' Grv x Thd	88006693	-	3	9	92	1,654.00
	4' x 4' Grv x Grv	88006691	-	3	9	77	1,406.00
	4' x 4' Thd x Thd	88006689	-	3	9	77	1,406.00
	4' x 4' Grv x Thd	88006690	-	3	9	77	1,406.00
	Flange Adaptor	88008100	-	2	-	5	207.50
	Flange Adaptor	88008101	-	2 1/2	-	8	249.50
	Flange Adaptor	88008102	-	3	-	9	275.50
FNPT Adaptor	88008104	-	2 1/2	-	3	162.50	
FNPT Adaptor	88008105	-	3	-	4	200.50	

- CIPS - Cast Iron Pipe Size-

- For modified lengths contact factory for pricing.-



\*The wetted surface of this product contacted by consumable water contains less than 0.25% of lead by weight.

# Double Check Valve Assemblies

MODEL	ORDERING CODE	SIZE	QTY. PER CARTON	WEIGHT PER CARTON (LBS.)	LIST PRICE (EACH)
-------	---------------	------	-----------------	--------------------------	-------------------

## Bronze Body

### With Ball Valves

2000B	0062490	-	1/2"	1	3	\$ 527.00
2000B-M3	0062489	-	3/4"	1	7	595.50
2000B	0062492	-	1"	1	10	671.00
2000B	0062493	-	1 1/4"	1	23	987.50
2000B	0062494	-	1 1/2"	1	25	1,243.00
2000B	0062495	-	2"	1	26	1,390.00
LF2000B	0122630	-	1/2"	1	3	658.00
LF2000BM3	0425000	-	3/4"	1	7	741.00
LF2000BM1	0425001	-	1"	1	10	838.50
LF2000BM2	0425002	-	1 1/4"	1	23	1,231.00
LF2000BM2	0425003	-	1 1/2"	1	25	1,551.00
LF2000BM1	0425004	-	2"	1	26	1,737.00

### Less Ball Valves

2000B-LBV	0062472	-	1/2"	1	2	466.50
2000B-M3-LBV	0062538	-	3/4"	1	6	529.50
2000B-LBV	0062474	-	1"	1	8	598.00

### Less Ball Valves

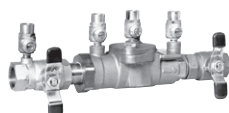
LF2000BM3-LBV	0425005	-	3/4"	1	6	663.50
LF2000BM1-LBV	0425006	-	1"	1	8	743.50
LF2000BM2-LBV	0122629	-	1 1/4"	1	18	1,020.00
LF2000BM2-LBV	0425008	-	1 1/2"	1	20	1,198.00
LF2000BM1-LBV	0425009	-	2"	1	21	1,346.00

### With Inlet/Outlet Gear Operated Slow Close Isolation Valves

	Threaded	Grooved				
2000BM1-FP	88007304	88005581	1	1	13	2,825.00
2000BM2-FP	88007305	88005578	1 1/4	1	17	3,197.00
2000BM2-FP	88007306	88005580	1 1/2	1	19	3,669.00
2000BM1-FP	88007307	88005579	2	1	25	4,167.00
LF2000BM1-FP	88007252	88007253	1	1	13	2,952.00
LF2000BM2-FP	88007254	88007255	1 1/4	1	17	3,346.00
LF2000BM2-FP	88007256	88007257	1 1/2	1	19	3,836.00
LF2000BM1-FP	88007258	88007259	2	1	25	4,356.00

### With quarter-turn shutoff valves. Inlet/Outlet fire hydrant fittings (2 1/2" inlet female hose thread swivel x 2 1/2" outlet male NST)

2000B-HC	0691939	-	2"	1	31	7,913.00
----------	---------	---	----	---	----	----------



2000B/LF2000B

LEAD FREE\*



2000B-FP

LEAD FREE\*



2000B-HC

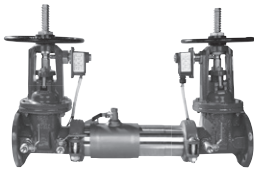


# Double Check Valve Assemblies

MODEL	ORDERING CODE	SIZE	QTY. PER CARTON	WEIGHT PER CARTON (LBS.)	LIST PRICE (EACH)
-------	---------------	------	-----------------	--------------------------	-------------------

## Stainless Steel Body

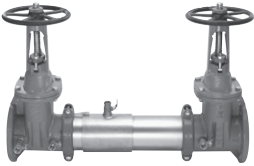
### With OSY resilient seated shutoff valves with Tamper Switch



C200-OSY-TS

LEAD FREE	C200-OSY-TS	88003102	-	2 1/2"	1	130	\$ 5,205.00
	C200-OSY-TS	88003103	-	3"	1	150	5,285.00
	C200-OSY-TS	88003104	-	4"	1	166	6,158.00
	C200-OSY-TS	88003105	-	6"	1	300	9,336.00
	C200-OSY-TS	88003106	-	8"	1	485	17,970.00
	C200-OSY-TS	88003101	-	10"	1	786	28,108.00

### With OSY resilient seated shutoff valves



C200-OSY

LEAD FREE	C200-OSY	0191198	-	2 1/2"	1	125	4,718.00
	C200-OSY	0191199	-	3"	1	145	4,799.00
	C200-OSY	0191200	-	4"	1	161	5,672.00
	C200-OSY	0191201	-	6"	1	295	8,850.00
	C200-OSY	0191202	-	8"	1	480	17,484.00
	C200-OSY	0191203	-	10"	1	781	27,622.00

### N-Pattern with OSY resilient seated shutoff valves

LEAD FREE	C200N-OSY	0191204	-	2 1/2"	1	133	5,088.00
	C200N-OSY	0191205	-	3"	1	158	5,193.00
	C200N-OSY	0191206	-	4"	1	184	6,196.00
	C200N-OSY	0191207	-	6"	1	336	9,865.00
	C200N-OSY	0191208	-	8"	1	555	19,411.00
	C200N-OSY	0191209	-	10"	1	950	32,506.00

### With NRS resilient seated shutoff valves

LEAD FREE	C200-NRS	0191210	-	2 1/2"	1	115	5,038.00
	C200-NRS	0191211	-	3"	1	131	5,089.00
	C200-NRS	0191212	-	4"	1	161	5,953.00
	C200-NRS	0191213	-	6"	1	273	9,572.00
	C200-NRS	0191214	-	8"	1	438	19,172.00
	C200-NRS	0191215	-	10"	1	721	26,975.00

### N-Pattern with NRS resilient seated shutoff valves

LEAD FREE	C200N-NRS	0191216	-	2 1/2"	1	123	5,445.00
	C200N-NRS	0191217	-	3"	1	144	5,510.00
	C200N-NRS	0191218	-	4"	1	184	6,528.00
	C200N-NRS	0191219	-	6"	1	314	10,683.00
	C200N-NRS	0191220	-	8"	1	513	21,290.00
	C200N-NRS	0191221	-	10"	1	891	32,209.00

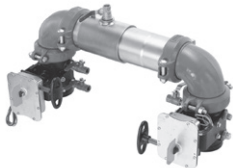
### With gear operated, UL/FM Butterfly valves



C200-BFG

LEAD FREE	C200-BFG	0191222	-	2 1/2"	1	56	5,362.00
	C200-BFG	0191223	-	3"	1	54	5,450.00
	C200-BFG	0191224	-	4"	1	61	6,339.00
	C200-BFG	0191225	-	6"	1	150	9,605.00
	C200-BFG	0191419	-	8"	1	400	18,430.00

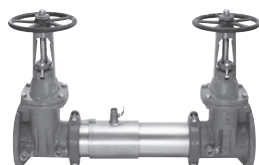
### N-Pattern with gear operated, UL/FM Butterfly valves



C200N-BFG

LEAD FREE	C200N-BFG	0191226	-	2 1/2"	1	64	5,766.00
	C200N-BFG	0191227	-	3"	1	67	5,875.00
	C200N-BFG	0191228	-	4"	1	84	6,906.00
	C200N-BFG	0191229	-	6"	1	157	10,666.00
	C200N-BFG	0191420	-	8"	1	337	20,423.00

# Double Check Valve Assemblies



M200-OSY

MODEL	ORDERING CODE	SIZE	QTY. PER CARTON	WEIGHT PER CARTON (LBS.)	LIST PRICE (EACH)
-------	---------------	------	-----------------	--------------------------	-------------------

## Stainless Steel Body (cont.)

### With OSY resilient seated shutoff valves

LEAD FREE	M200-OSY	0191000	-	2 1/2"	1	125	\$ 6,706.00
	M200-OSY	0191001	-	3"	1	145	7,038.00
	M200-OSY	0191002	-	4"	1	219	8,313.00
	M200-OSY	0191003	-	6"	1	389	13,061.00
	M200-OSY	0191004	-	8"	1	564	25,169.00
	M200-OSY	0191005	-	10"	1	780	43,116.00

### N-Pattern with OSY resilient seated shutoff valves

LEAD FREE	M200N-OSY	0191006	-	2 1/2"	1	133	7,372.00
	M200N-OSY	0191007	-	3"	1	158	7,522.00
	M200N-OSY	0191008	-	4"	1	242	8,984.00
	M200N-OSY	0191009	-	6"	1	430	14,301.00
	M200N-OSY	0191010	-	8"	1	640	28,143.00
	M200N-OSY	0191011	-	10"	1	951	47,143.00

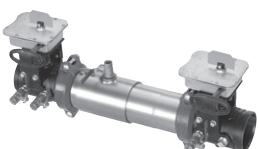
### With NRS resilient seated shutoff valves

LEAD FREE	M200-NRS	0191012	-	2 1/2"	1	115	6,454.00
	M200-NRS	0191013	-	3"	1	131	6,990.00
	M200-NRS	0191014	-	4"	1	219	7,861.00
	M200-NRS	0191015	-	6"	1	368	12,634.00
	M200-NRS	0191016	-	8"	1	522	24,901.00
	M200-NRS	0191017	-	10"	1	761	34,696.00

### N-Pattern with NRS resilient seated shutoff valves

LEAD FREE	M200N-NRS	0191018	-	2 1/2"	1	123	7,100.00
	M200N-NRS	0191019	-	3"	1	144	7,188.00
	M200N-NRS	0191020	-	4"	1	242	8,520.00
	M200N-NRS	0191021	-	6"	1	408	13,939.00
	M200N-NRS	0191022	-	8"	1	598	27,787.00
	M200N-NRS	0191023	-	10"	1	891	42,045.00

### With gear operated, UL/FM Butterfly valves



M200-BFG

LEAD FREE	M200-BFG	0191024	-	2 1/2"	1	56	8,264.00
	M200-BFG	0191025	-	3"	1	54	8,636.00
	M200-BFG	0191026	-	4"	1	119	10,044.00
	M200-BFG	0191027	-	6"	1	211	15,346.00
	M200-BFG	0191425	-	8"	1	345	28,804.00

### N-Pattern with gear operated, UL/FM Butterfly valves

LEAD FREE	M200N-BFG	0191028	-	2 1/2"	1	64	9,921.00
	M200N-BFG	0191029	-	3"	1	67	10,104.00
	M200N-BFG	0191030	-	4"	1	142	11,894.00
	M200N-BFG	0191031	-	6"	1	251	18,415.00
	M200N-BFG	0191426	-	8"	1	421	35,333.00

# Double Check Valve Assemblies

MODEL	ORDERING CODE	SIZE	QTY. PER CARTON	WEIGHT PER CARTON (LBS.)	LIST PRICE (EACH)
-------	---------------	------	-----------------	--------------------------	-------------------

## Stainless Steel Body (cont.)

### Less shutoff valves

2000SS-LG	0690471	-	2 1/2"	1	45	\$ 3,804.00
2000SS-LG	0690480	-	3"	1	50	3,668.00
2000SS-LG	0690489	-	4"	1	75	4,634.00
2000SS-LG	0690499	-	6"	1	112	7,642.00
2000SS-LG	0690452	-	8"	1	205	16,270.00
2000SS-LG	0690529	-	10"	1	220	21,000.00
2000SS-LG	0690562	-	12"	1	240	29,593.00

### With OSY Resilient Seated Shutoff Valves with Tamper Switch

2000SS-OSY-TS	88003081	-	2 1/2"	1	203	6,273.00
2000SS-OSY-TS	88003082	-	3"	1	240	6,521.00
2000SS-OSY-TS	88003083	-	4"	1	306	7,657.00
2000SS-OSY-TS	88003084	-	6"	1	463	11,757.00
2000SS-OSY-TS	88003085	-	8"	1	725	22,206.00
2000SS-OSY-TS	88003080	-	10"	1	113	30,972.00
2000SS-OSY-TS	88003086	-	12"	1	1445	42,092.00

### With OSY resilient seated shutoff valves

2000SS-OSY	0690472	-	2 1/2"	1	198	5,785.00
2000SS-OSY	0690481	-	3"	1	235	6,036.00
2000SS-OSY	0690490	-	4"	1	301	7,171.00
2000SS-OSY	0690500	-	6"	1	458	11,270.00
2000SS-OSY	0690453	-	8"	1	720	21,720.00
2000SS-OSY	0690530	-	10"	1	1080	30,485.00
2000SS-DOSY	0690563	-	12"	1	1440	41,606.00

### With NRS resilient seated shutoff valves

2000SS-NRS	0690473	-	2 1/2"	1	195	5,740.00
2000SS-NRS	0690482	-	3"	1	230	6,256.00
2000SS-NRS	0690491	-	4"	1	293	6,992.00
2000SS-NRS	0690501	-	6"	1	458	11,234.00
2000SS-NRS	0690454	-	8"	1	710	22,138.00
2000SS-NRS	0690531	-	10"	1	1080	29,947.00
2000SS-DNRS	0690564	-	12"	1	1440	39,216.00

### With OSY resilient seated shutoff valves - Groove Inlet x Groove Outlet

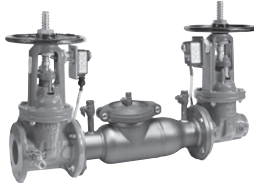
2000SS-DOSY-GxG	0690770	-	2 1/2"	1	198	5,785.00
2000SS-DOSY-GxG	0690773	-	3"	1	235	6,036.00
2000SS-DOSY-GxG	0690776	-	4"	1	301	7,171.00
2000SS-DOSY-GxG	0690779	-	6"	1	458	11,270.00
2000SS-DOSY-GxG	0690782	-	8"	1	720	21,720.00
2000SS-DOSY-GxG	0690785	-	10"	1	1080	30,485.00

### With OSY resilient seated shutoff valves - Groove Inlet x Flange Outlet

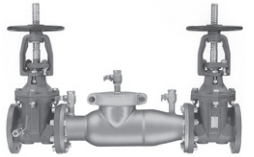
2000SS-DOSY-GxF	0690771	-	2 1/2"	1	198	5,785.00
2000SS-DOSY-GxF	0690774	-	3"	1	235	6,036.00
2000SS-DOSY-GxF	0690777	-	4"	1	301	7,171.00
2000SS-DOSY-GxF	0690780	-	6"	1	458	11,270.00
2000SS-DOSY-GxF	0690783	-	8"	1	720	21,720.00
2000SS-DOSY-GxF	0690786	-	10"	1	1080	30,485.00

### With OSY resilient seated shutoff valves - Flange Inlet x Groove Outlet

2000SS-DOSY-FxG	0690772	-	2 1/2"	1	198	5,785.00
2000SS-DOSY-FxG	0690775	-	3"	1	235	6,036.00
2000SS-DOSY-FxG	0690778	-	4"	1	301	7,171.00
2000SS-DOSY-FxG	0690781	-	6"	1	458	11,270.00
2000SS-DOSY-FxG	0690784	-	8"	1	720	21,720.00
2000SS-DOSY-FxG	0690787	-	10"	1	1080	30,485.00

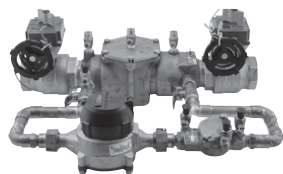


2000SS-OSY-TS

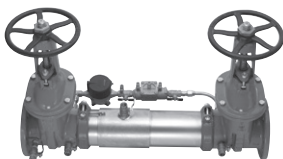


2000SS-OSY

# Double Check Detector Assemblies



**3000BM1-FP**



**C300-OSY**



**C300N-OSY**

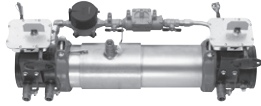
(LM) = Less Meter  
(CFM) = Cubic Feet Meter  
(GPM) = Gallons Per Minute Meter



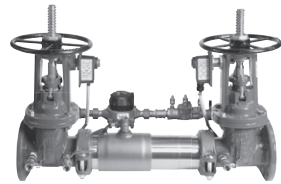
MODEL	ORDERING CODE		SIZE	QTY. PER CARTON	WEIGHT PER CARTON (LBS.)	LIST PRICE (EACH)
<b>Bronze Body</b>						
3000BM1-OSY-CFM/GPM	0696040	0696041	2"	1	155	\$ 11,176.00
<b>Less meter</b>						
3000BM1-OSY-LM	0696042	-	2"	1	153	10,998.00
<b>With Inlet/Outlet Gear Operated Slow Close Isolation Valves</b>						
3000BM1-FP-CFM Thd/Grv	88007308	88005599	2	1	96	7,322.00
3000BM1-FP-CFM Thd/Grv	88007309	88005601	2	1	96	7,322.00
3000BM1-FP-LM Thd/Grv	88007310	88005600	2	1	96	7,016.00
<b>Stainless Steel Body</b>						
<b>With NRS resilient seated shutoff valves</b>						
C300-NRS-CFM/GPM	0191435	0191440	2 1/2"	1	129	6,420.00
C300-NRS-CFM/GPM	0191436	0191441	3"	1	145	7,068.00
C300-NRS-CFM/GPM	0191437	0191442	4"	1	175	8,212.00
C300-NRS-CFM/GPM	0191438	0191443	6"	1	287	10,532.00
C300-NRS-CFM/GPM	0191439	0191444	8"	1	452	19,108.00
<b>With OSY resilient seated shutoff valves</b>						
C300-OSY-CFM/GPM	0191230	0191236	2 1/2"	1	139	6,784.00
C300-OSY-CFM/GPM	0191231	0191237	3"	1	159	7,484.00
C300-OSY-CFM/GPM	0191232	0191238	4"	1	175	8,670.00
C300-OSY-CFM/GPM	0191233	0191239	6"	1	309	10,983.00
C300-OSY-CFM/GPM	0191234	0191240	8"	1	494	18,895.00
C300-OSY-CFM/GPM	0191235	0191241	10"	1	795	27,765.00
LFC300-OSY-CFM/GPM	0124557	0124563	2 1/2"	1	139	7,559.00
LFC300-OSY-CFM/GPM	0124558	0124564	3"	1	159	8,338.00
LFC300-OSY-CFM/GPM	0124559	0124565	4"	1	175	9,649.00
LFC300-OSY-CFM/GPM	0124560	0124566	6"	1	309	12,229.00
LFC300-OSY-CFM/GPM	0124561	0124567	8"	1	494	21,044.00
LFC300-OSY-CFM/GPM	0124562	0124568	10"	1	795	30,908.00
<b>N-Pattern with OSY resilient seated shutoff valves</b>						
C300N-OSY-CFM/GPM	0191242	0191248	2 1/2"	1	147	7,258.00
C300N-OSY-CFM/GPM	0191243	0191249	3"	1	172	8,006.00
C300N-OSY-CFM/GPM	0191244	0191250	4"	1	198	9,350.00
C300N-OSY-CFM/GPM	0191245	0191251	6"	1	350	12,097.00
C300N-OSY-CFM/GPM	0191246	0191252	8"	1	569	20,891.00
C300N-OSY-CFM/GPM	0191247	0191253	10"	1	965	32,646.00
LFC300N-OSY-CFM/GPM	0124569	0124574	2 1/2"	1	147	8,085.00
LFC300N-OSY-CFM/GPM	0425156	0124575	3"	1	172	10,077.00
LFC300N-OSY-CFM/GPM	0124570	0124576	4"	1	198	10,402.00
LFC300N-OSY-CFM/GPM	0124571	0124577	6"	1	350	13,471.00
LFC300N-OSY-CFM/GPM	0124572	0124578	8"	1	569	23,258.00
LFC300N-OSY-CFM/GPM	0124573	0425166	10"	1	965	36,346.00
<b>With gear operated, UL/FM Butterfly valves</b>						
C300-BFG-CFM/GPM	0191254	0191258	2 1/2"	1	70	7,320.00
C300-BFG-CFM/GPM	0191255	0191259	3"	1	68	8,019.00
C300-BFG-CFM/GPM	0191256	0191260	4"	1	75	9,199.00
C300-BFG-CFM/GPM	0191257	0191261	6"	1	175	11,525.00
C300-BFG-CFM/GPM	0191421	0191422	8"	1	275	19,441.00
LFC300-BFG-CFM/GPM	0124579	0124583	2 1/2"	1	70	8,147.00
LFC300-BFG-CFM/GPM	0124580	0124584	3"	1	68	8,925.00
LFC300-BFG-CFM/GPM	0124581	0124585	4"	1	75	10,239.00
LFC300-BFG-CFM/GPM	0124582	0124586	6"	1	175	12,832.00
LFC300-BFG-CFM/GPM	0124595	0124596	8"	1	275	21,643.00
<b>N-Pattern with gear operated, UL/FM Butterfly valves</b>						
C300N-BFG-CFM/GPM	0191262	0191266	2 1/2"	1	78	7,822.00
C300N-BFG-CFM/GPM	0191263	0191267	3"	1	81	8,566.00
C300N-BFG-CFM/GPM	0191264	0191268	4"	1	98	9,901.00
C300N-BFG-CFM/GPM	0191265	0191269	6"	1	171	12,670.00
C300N-BFG-CFM/GPM	0191423	0191424	8"	1	351	21,463.00

\*The wetted surface of this product contacted by consumable water contains less than 0.25% of lead by weight.

# Double Check Detector Assemblies



**C300-BFG**



**C300-OSY-TS**

MODEL	ORDERING CODE	SIZE	QTY. PER CARTON	WEIGHT PER CARTON (LBS.)	LIST PRICE (EACH)
-------	---------------	------	-----------------	--------------------------	-------------------

## Stainless Steel Body (cont.)

### N-Pattern with gear operated, UL/FM Butterfly valves

MODEL	ORDERING CODE	SIZE	QTY. PER CARTON	WEIGHT PER CARTON (LBS.)	LIST PRICE (EACH)	
LFC300N-BFG-CFM/GPM	0124587	0124591	2 1/2"	1	78	\$ 8,708.00
LFC300N-BFG-CFM/GPM	0124588	0124592	3"	1	81	9,535.00
LFC300N-BFG-CFM/GPM	0124589	0124593	4"	1	98	11,028.00
LFC300N-BFG-CFM/GPM	0124590	0124594	6"	1	171	14,109.00
LFC300N-BFG-CFM/GPM	0124597	0124598	8"	1	351	23,895.00

### With NRS resilient seated shutoff valves and less meter

C300-NRS-LM	0206555	-	2 1/2"	1	127	6,261.00
C300-NRS-LM	0206556	-	3"	1	143	6,910.00
C300-NRS-LM	0206557	-	4"	1	173	8,062.00
C300-NRS-LM	0206558	-	6"	1	285	10,371.00
C300-NRS-LM	0206559	-	8"	1	450	18,954.00

### With OSY Resilient Seated Shutoff Valves with Meter and Tamper Switch

C300-OSY-TS-CFM/GPM	88003109	88003110	2 1/2"	1	144	5,205.00
C300-OSY-TS-CFM/GPM	88003111	88003112	3"	1	164	5,285.00
C300-OSY-TS-CFM/GPM	88003113	88003114	4"	1	180	6,158.00
C300-OSY-TS-CFM/GPM	88003115	88003116	6"	1	314	9,336.00
C300-OSY-TS-CFM/GPM	88003117	88003118	8"	1	499	17,970.00
C300-OSY-TS-CFM/GPM	88003107	88003108	10"	1	800	28,108.00

### With OSY resilient seated shutoff valves and less meter

C300-OSY-LM	0206560	-	2 1/2"	1	137	6,629.00
C300-OSY-LM	0206561	-	3"	1	157	7,327.00
C300-OSY-LM	0206562	-	4"	1	173	8,509.00
C300-OSY-LM	0206563	-	6"	1	307	10,823.00
C300-OSY-LM	0206564	-	8"	1	492	18,739.00
C300-OSY-LM	0206565	-	10"	1	793	27,603.00
LFC300-OSY-LM	0124616	-	2 1/2"	1	137	7,383.00
LFC300-OSY-LM	0425150	-	3"	1	157	9,218.00
LFC300-OSY-LM	0124617	-	4"	1	173	9,472.00
LFC300-OSY-LM	0124618	-	6"	1	307	12,056.00
LFC300-OSY-LM	0124619	-	8"	1	492	20,864.00
LFC300-OSY-LM	0124620	-	10"	1	793	30,731.00

### N-Pattern with OSY resilient seated shutoff valves and less meter

C300N-OSY-LM	0206566	-	2 1/2"	1	145	7,097.00
C300N-OSY-LM	0206567	-	3"	1	170	7,843.00
C300N-OSY-LM	0206568	-	4"	1	196	9,182.00
C300N-OSY-LM	0206569	-	6"	1	348	11,936.00
C300N-OSY-LM	0206570	-	8"	1	567	20,722.00
C300N-OSY-LM	0206571	-	10"	1	963	32,482.00
LFC300N-OSY-LM	0425167	-	2 1/2"	1	145	8,925.00
LFC300N-OSY-LM	0425168	-	3"	1	170	9,866.00
LFC300N-OSY-LM	0425169	-	4"	1	196	11,546.00
LFC300N-OSY-LM	0425170	-	6"	1	348	15,013.00
LFC300N-OSY-LM	0425171	-	8"	1	567	23,071.00
LFC300N-OSY-LM	0425172	-	10"	1	963	36,162.00

### With gear operated, UL/FM Butterfly valves and less meter

C300-BFG-LM	0206573	-	3"	1	66	7,857.00
C300-BFG-LM	0206574	-	4"	1	73	9,038.00
C300-BFG-LM	0206575	-	6"	1	129	11,369.00
C300-BFG-LM	0206576	-	8"	1	273	19,281.00
LFC300-BFG-LM	0124621	-	2 1/2"	1	68	7,970.00
LFC300-BFG-LM	0124622	-	3"	1	66	8,753.00
LFC300-BFG-LM	0124623	-	4"	1	73	10,061.00
LFC300-BFG-LM	0124624	-	6"	1	129	12,661.00
LFC300-BFG-LM	0124625	-	8"	1	273	21,472.00

(LM) = Less Meter  
(CFM) = Cubic Feet Meter  
(GPM) = Gallons Per Minute Meter



\*The wetted surface of this product contacted by consumable water contains less than 0.25% of lead by weight.

# Double Check Detector Assemblies

MODEL	ORDERING CODE	SIZE	QTY. PER CARTON	WEIGHT PER CARTON (LBS.)	LIST PRICE (EACH)
-------	---------------	------	-----------------	--------------------------	-------------------

## Stainless Steel Body (cont.)

### N-Pattern with gear operated, UL/FM Butterfly valves and less meter

C300N-BFG-LM	0206577	-	2 1/2"	1	76	\$ 7,653.00
C300N-BFG-LM	0206578	-	3"	1	79	8,401.00
C300N-BFG-LM	0206579	-	4"	1	96	9,736.00
C300N-BFG-LM	0206580	-	6"	1	169	12,505.00
C300N-BFG-LM	0206581	-	8"	1	349	21,290.00

### With OSY resilient seated shutoff valves

M300-OSY-CFM/GPM	0191032	0191038	2 1/2"	1	139	8,495.00
M300-OSY-CFM/GPM	0191033	0191039	3"	1	159	9,674.00
M300-OSY-CFM/GPM	0191034	0191040	4"	1	233	12,540.00
M300-OSY-CFM/GPM	0191035	0191041	6"	1	404	13,307.00
M300-OSY-CFM/GPM	0191036	0191042	8"	1	578	24,072.00
M300-OSY-CFM/GPM	0191037	0191043	10"	1	795	34,528.00
LFM300-OSY-CFM/GPM	0124338	0124344	2 1/2"	1	139	9,002.00
LFM300-OSY-CFM/GPM	0124339	0124345	3"	1	159	10,258.00
LFM300-OSY-CFM/GPM	0124340	0124346	4"	1	233	13,293.00
LFM300-OSY-CFM/GPM	0124341	0124347	6"	1	404	14,102.00
LFM300-OSY-CFM/GPM	0124342	0124348	8"	1	578	25,518.00
LFM300-OSY-CFM/GPM	0124343	0124349	10"	1	795	36,604.00

### N-Pattern with OSY resilient seated shutoff valves

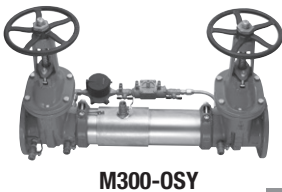
M300N-OSY-CFM/GPM	0191044	0191050	2 1/2"	1	147	9,016.00
M300N-OSY-CFM/GPM	0191045	0191051	3"	1	172	9,944.00
M300N-OSY-CFM/GPM	0191046	0191052	4"	1	256	11,609.00
M300N-OSY-CFM/GPM	0191047	0191053	6"	1	444	15,028.00
M300N-OSY-CFM/GPM	0191048	0191054	8"	1	654	25,949.00
M300N-OSY-CFM/GPM	0191049	0191055	10"	1	965	40,553.00
LFM300N-OSY-CFM/GPM	0124350	0124356	2 1/2"	1	147	9,560.00
LFM300N-OSY-CFM/GPM	0124351	0124357	3"	1	172	10,541.00
LFM300N-OSY-CFM/GPM	0124352	0124358	4"	1	256	12,308.00
LFM300N-OSY-CFM/GPM	0124353	0124359	6"	1	444	15,929.00
LFM300N-OSY-CFM/GPM	0124354	0124360	8"	1	654	27,507.00
LFM300N-OSY-CFM/GPM	0124355	0124361	10"	1	965	42,987.00

### With gear operated, UL/FM Butterfly valves

M300-BFG-CFM/GPM	0191056	0191060	2 1/2"	1	71	9,123.00
M300-BFG-CFM/GPM	0191057	0191061	3"	1	68	10,304.00
M300-BFG-CFM/GPM	0191058	0191062	4"	1	133	13,169.00
M300-BFG-CFM/GPM	0191059	0191063	6"	1	225	13,947.00
M300-BFG-CFM/GPM	0191427	0191428	8"	1	211	24,717.00
LFM300-BFG-CFM/GPM	0124362	0124366	2 1/2"	1	71	9,672.00
LFM300-BFG-CFM/GPM	0124363	0124367	3"	1	68	10,925.00
LFM300-BFG-CFM/GPM	0124364	0124368	4"	1	133	13,961.00
LFM300-BFG-CFM/GPM	0124365	0124369	6"	1	225	14,782.00
LFM300-BFG-CFM/GPM	0124378	0124379	8"	1	211	26,206.00

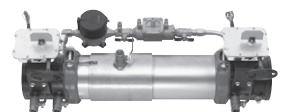
### N-Pattern with gear operated, UL/FM Butterfly valves

M300N-BFG-CFM/GPM	0191068	0191064	2 1/2"	1	78	9,660.00
M300N-BFG-CFM/GPM	0191069	0191065	3"	1	81	10,590.00
M300N-BFG-CFM/GPM	0191070	0191066	4"	1	156	12,246.00
M300N-BFG-CFM/GPM	0191071	0191067	6"	1	265	15,687.00
M300N-BFG-CFM/GPM	0191429	0191430	8"	1	435	26,603.00
LFM300N-BFG-CFM/GPM	0124374	0124370	2 1/2"	1	78	10,238.00
LFM300N-BFG-CFM/GPM	0124375	0124371	3"	1	81	11,229.00
LFM300N-BFG-CFM/GPM	0124376	0124372	4"	1	156	12,983.00
LFM300N-BFG-CFM/GPM	0124377	0124373	6"	1	265	16,629.00
LFM300N-BFG-CFM/GPM	0124380	0124381	8"	1	435	28,195.00



M300-OSY

LEAD FREE



M300-BFG

LEAD FREE

(LM) = Less Meter  
(CFM) = Cubic Feet Meter  
(GPM) = Gallons Per Minute Meter

LEAD FREE

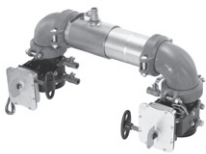


\*The wetted surface of this product contacted by consumable water contains less than 0.25% of lead by weight.



# Double Check Detector Assemblies

MODEL	ORDERING CODE	SIZE	QTY. PER CARTON	WEIGHT PER CARTON (LBS.)	LIST PRICE (EACH)
<b>Stainless Steel Body (cont.)</b>					
<b>With OSY resilient seated shutoff valves and less meter</b>					
M 300-OSY-LM	0206598	– 2 1/2"	1	137	\$ 8,307.00
M 300-OSY-LM	0206599	– 3"	1	157	9,490.00
M 300-OSY-LM	0206600	– 4"	1	231	12,355.00
M 300-OSY-LM	0206601	– 6"	1	402	13,114.00
M 300-OSY-LM	0206602	– 8"	1	576	23,883.00
M 300-OSY-LM	0206603	– 10"	1	793	34,343.00
<b>N-Pattern with OSY resilient seated shutoff valves and less meter</b>					
M 300N-OSY-LM	0206604	– 2 1/2"	1	145	8,830.00
M 300N-OSY-LM	0206605	– 3"	1	170	9,752.00
M 300N-OSY-LM	0206606	– 4"	1	254	11,416.00
M 300N-OSY-LM	0206607	– 6"	1	442	14,839.00
M 300N-OSY-LM	0206608	– 8"	1	652	25,757.00
M 300N-OSY-LM	0206609	– 10"	1	963	40,365.00
<b>With gear operated, UL/FM Butterfly valves and less meter</b>					
M 300-BFG-LM	0206610	– 2 1/2"	1	69	8,933.00
M 300-BFG-LM	0206611	– 3"	1	66	10,115.00
M 300-BFG-LM	0206612	– 4"	1	131	12,982.00
M 300-BFG-LM	0206613	– 6"	1	223	13,759.00
M 300-BFG-LM	0206614	– 8"	1	209	24,528.00
<b>N-Pattern with gear operated, UL/FM Butterfly valves and less meter</b>					
M 300N-BFG-LM	0206615	– 2 1/2"	1	76	9,472.00
M 300N-BFG-LM	0206616	– 3"	1	79	10,400.00
M 300N-BFG-LM	0206617	– 4"	1	154	12,060.00
M 300N-BFG-LM	0206618	– 6"	1	263	15,496.00
M 300N-BFG-LM	0206619	– 8"	1	433	26,417.00



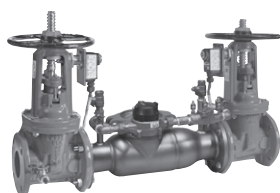
**M300N-BFG**

(LM) = Less Meter  
 (CFM) = Cubic Feet Meter  
 (GPM) = Gallons Per Minute Meter

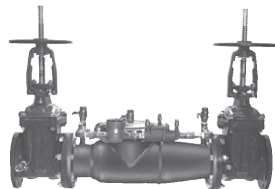
\*The wetted surface of this product contacted by consumable water contains less than 0.25% of lead by weight.

# Double Check Detector Assemblies

MODEL	ORDERING CODE	SIZE	QTY. PER CARTON	WEIGHT PER CARTON (LBS.)	LIST PRICE (EACH)	
<b>Stainless Steel Body (cont.)</b>						
<b>Less shutoff valves</b>						
3000SS-LG-CFM/GPM	0691052	0690474	2 1/2"	1	50	\$ 6,433.00
3000SS-LG-CFM/GPM	0691053	0690483	3"	1	55	6,514.00
3000SS-LG-CFM/GPM	0691680	0690492	4"	1	85	7,682.00
3000SS-LG-CFM/GPM	0690927	0690502	6"	1	124	9,671.00
3000SS-LG-CFM/GPM	0690897	0690457	8"	1	215	17,994.00
3000SS-LG-CFM/GPM	0690934	0690532	10"	1	225	23,150.00
3000SS-LG-CFM/GPM	0690948	0690565	12"	1	248	30,405.00
<b>Less shutoff valves, less meter</b>						
3000SS-LG-LM	0691577	-	2 1/2"	1	48	6,285.00
3000SS-LG-LM	0691580	-	3"	1	53	6,373.00
3000SS-LG-LM	0691583	-	4"	1	83	7,532.00
3000SS-LG-LM	0691544	-	6"	1	121	9,530.00
3000SS-LG-LM	0691541	-	8"	1	213	17,848.00
3000SS-LG-LM	0691550	-	10"	1	223	23,004.00
3000SS-LG-LM	0691554	-	12"	1	246	30,261.00
<b>With OSY Resilient Seated Shutoff Valves with Meter and Tamper Switch</b>						
3000SS-OSY-TS-CFM/GPM	88003141	88003142	2 1/2"	1	217	8,840.00
3000SS-OSY-TS-CFM/GPM	88003143	88003144	3"	1	253	9,210.00
3000SS-OSY-TS-CFM/GPM	88003093	88003094	4"	1	313	10,585.00
3000SS-OSY-TS-CFM/GPM	88003095	88003096	6"	1	473	13,572.00
3000SS-OSY-TS-CFM/GPM	88003097	88003098	8"	1	737	24,165.00
3000SS-OSY-TS-CFM/GPM	88003140	88003088	10"	1	1095	32,843.00
3000SS-OSY-TS-CFM/GPM	88003099	88003100	12"	1	1455	42,230.00
<b>With OSY resilient seated shutoff valves</b>						
3000SS-OSY-CFM/GPM	0690980	0690475	2 1/2"	1	212	8,354.00
3000SS-OSY-CFM/GPM	0690984	0690484	3"	1	248	8,724.00
3000SS-OSY-CFM/GPM	0690988	0690493	4"	1	308	10,099.00
3000SS-OSY-CFM/GPM	0690928	0690503	6"	1	468	13,087.00
3000SS-OSY-CFM/GPM	0690898	0690458	8"	1	732	23,679.00
3000SS-OSY-CFM/GPM	0690935	0690533	10"	1	1090	32,357.00
3000SS-OSY-CFM/GPM	0690949	0690566	12"	1	1450	41,744.00
<b>With OSY resilient seated shutoff valves - Groove Inlet x Groove Outlet</b>						
3000SS-DOSY GxG CFM/GPM	0696000	0696001	2 1/2"	1	212	8,354.00
3000SS-DOSY GxG CFM/GPM	0696006	0696007	3"	1	248	8,724.00
3000SS-DOSY GxG CFM/GPM	0696012	0696013	4"	1	308	10,099.00
3000SS-DOSY GxG CFM/GPM	0696018	0696019	6"	1	468	13,087.00
3000SS-DOSY GxG CFM/GPM	0696024	0696025	8"	1	732	23,679.00
3000SS-DOSY GxG CFM/GPM	0696030	0696031	10"	1	1090	32,357.00
<b>With OSY resilient seated shutoff valves - Groove Inlet x Flange Outlet</b>						
3000SS DOSY GxF CFM/GPM	0696002	0696003	2 1/2"	1	212	8,354.00
3000SS DOSY GxF CFM/GPM	0696008	0696009	3"	1	248	8,724.00
3000SS DOSY GxF CFM/GPM	0696014	0696015	4"	1	308	10,099.00
3000SS DOSY GxF CFM/GPM	0696020	0696021	6"	1	468	13,087.00
3000SS DOSY GxF CFM/GPM	0696026	0696027	8"	1	732	23,679.00
3000SS DOSY GxF CFM/GPM	0696032	0696033	10"	1	1090	32,357.00
<b>With OSY resilient seated shutoff valves - Flange Inlet x Groove Outlet</b>						
3000SS DOSY FxG CFM/GPM	0696004	0696005	2 1/2"	1	212	8,354.00
3000SS DOSY FxG CFM/GPM	0696010	0696011	3"	1	248	8,724.00
3000SS DOSY FxG CFM/GPM	0696016	0696017	4"	1	308	10,099.00
3000SS DOSY FxG CFM/GPM	0696022	0696023	6"	1	468	13,087.00
3000SS DOSY FxG CFM/GPM	0696028	0696029	8"	1	732	23,679.00
3000SS DOSY FxG CFM/GPM	0696034	0696035	10"	1	1090	32,357.00



3000SS-OSY-TS



3000SS-OSY

(LM) = Less Meter  
 (CFM) = Cubic Feet Meter  
 (GPM) = Gallons Per Minute Meter



\*The wetted surface of this product contacted by consumable water contains less than 0.25% of lead by weight.

# Double Check Detector Assemblies

MODEL	ORDERING CODE	SIZE	QTY. PER CARTON	WEIGHT PER CARTON (LBS.)	LIST PRICE (EACH)	
<b>Stainless Steel Body (cont.)</b>						
<b>With OSY resilient seated shutoff valves and less Meter</b>						
3000SS-OSY-LM	0691561	– 2 1/2"	1	210	8,209.00	
3000SS-OSY-LM	0691563	– 3"	1	245	8,572.00	
3000SS-OSY-LM	0691565	– 4"	1	305	9,950.00	
3000SS-OSY-LM	0691545	– 6"	1	465	12,940.00	
3000SS-OSY-LM	0691542	– 8"	1	717	23,534.00	
3000SS-OSY-LM	0691551	– 10"	1	1087	32,205.00	
3000SS-DOSY-LM	0691555	– 12"	1	1448	41,599.00	
<b>With NRS resilient seated shutoff valves</b>						
3000SS-NRS-CFM/GPM	0690981	0690476	2 1/2"	1	212	\$ 8,161.00
3000SS-NRS-CFM/GPM	0690985	0690485	3"	1	248	8,520.00
3000SS-NRS-CFM/GPM	0690989	0690494	4"	1	308	10,388.00
3000SS-NRS-CFM/GPM	0690929	0690504	6"	1	468	13,318.00
3000SS-NRS-CFM/GPM	0690899	0690459	8"	1	732	24,182.00
3000SS-NRS-CFM/GPM	0690936	0690534	10"	1	1090	32,409.00
<b>With NRS resilient seated shutoff valves less meter</b>						
3000SS-NRS-LM	0691562	– 2 1/2"	1	139	8,593.00	
3000SS-NRS-LM	0691564	– 3"	1	206	8,780.00	
3000SS-NRS-LM	0691566	– 4"	1	242	10,233.00	
3000SS-NRS-LM	0691546	– 6"	1	462	13,166.00	
3000SS-NRS-LM	0691543	– 8"	1	726	24,023.00	
3000SS-NRS-LM	0691552	– 10"	1	1084	32,258.00	



\*The wetted surface of this product contacted by consumable water contains less than 0.25% of lead by weight.

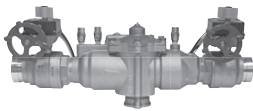
# Reduced Pressure Zone Assemblies



4000B/LF4000B



4000B-HC



4000BM2-FP-GV

MODEL	ORDERING CODE	SIZE	QTY. PER CARTON	WEIGHT PER CARTON (LBS.)	LIST PRICE (EACH)
-------	---------------	------	-----------------	--------------------------	-------------------

## Bronze Body

### With Ball Valves

4000B	0436090	-	1/2"	1	5	\$ 699.50
4000B-M3	0436097	-	3/4"	1	11	929.00
4000B-M2	0436096	-	1"	1	12	1,098.00
4000B	0436093	-	1 1/4"	1	28	1,720.00
4000B	0436094	-	1 1/2"	1	29	1,855.00
4000B	0436095	-	2"	1	29.5	2,135.00
LF4000B	0425014	-	1/2"	1	5	964.50
LF4000BM3	0425015	-	3/4"	1	11	1,284.00
LF4000BM2	0425016	-	1"	1	12	1,513.00
LF4000B	0425017	-	1 1/4"	1	28	2,372.00
LF4000B	0425018	-	1 1/2"	1	29	2,564.00
LF4000B	0425019	-	2"	1	29.5	2,949.00

LEAD FREE\*

### With Inlet/Outlet fire hydrant fittings (2 1/2" inlet female hose thread swivel x 2 1/2" outlet male NST)

4000B-HC	0691938	-	2"	1	37	6,113.00
----------	---------	---	----	---	----	----------

### With Inlet/Outlet Gear Operated Slow Close Isolation Valves

	Threaded	Grooved				
4000BM2-FP	88007311	88005691	1	1	15	2,738.00
4000BM2-FP	88007312	88005692	1 1/4	1	21	3,696.00
4000BM2-FP	88007313	88005690	1 1/2	1	23	4,240.00
4000BM2-FP	88007314	88005693	2	1	33	4,776.00
LF4000BM2-FP	88007300	88007296	1	1	15	3,657.00
LF4000BM2-FP	88007301	88007297	1 1/4	1	19	4,938.00
LF4000BM2-FP	88007302	88007298	1 1/2	1	20	5,665.00
LF4000BM2-FP	88007303	88007299	2	1	30	6,383.00

LEAD FREE\*

# Reduced Pressure Zone Assemblies



C400-OSY-FS

MODEL	ORDERING CODE	SIZE	QTY. PER CARTON	WEIGHT PER CARTON (LBS.)	LIST PRICE (EACH)
-------	---------------	------	-----------------	--------------------------	-------------------

## Stainless Steel Body

### With OSY resilient seated shutoff valves and Flood Sensor

LEAD FREE*	MODEL	ORDERING CODE	SIZE	QTY. PER CARTON	WEIGHT PER CARTON (LBS.)	LIST PRICE (EACH)
	C400-OSY-FS	F0191270	2 1/2"	1	200	5,600.00
	C400-OSY-FS	F0191271	3"	1	228	6,297.00
	C400-OSY-FS	F0191272	4"	1	257	8,372.00
	C400-OSY-FS	F0191273	6"	1	428	13,264.00
	C400-OSY-FS	F0191274	8"	1	639	22,509.00
	C400-OSY-FS	F0191275	10"	1	922	33,360.00

### With Domestic OSY resilient seated shutoff valves and Flood Sensor

LEAD FREE*	MODEL	ORDERING CODE	SIZE	QTY. PER CARTON	WEIGHT PER CARTON (LBS.)	LIST PRICE (EACH)
	C400-DOSY-FS	F0206383	2 1/2"	1	200	6,327.00
	C400-DOSY-FS	F0206384	3"	1	228	7,113.00
	C400-DOSY-FS	F0206385	4"	1	257	9,460.00
	C400-DOSY-FS	F0206386	6"	1	428	14,986.00
	C400-DOSY-FS	F0206492	8"	1	647	22,509.00

### N-Pattern with OSY resilient seated shutoff valves and Flood Sensor

LEAD FREE*	MODEL	ORDERING CODE	SIZE	QTY. PER CARTON	WEIGHT PER CARTON (LBS.)	LIST PRICE (EACH)
	C400N-OSY-FS	F0191276	2 1/2"	1	186	6,281.00
	C400N-OSY-FS	F0191277	3"	1	300	7,213.00
	C400N-OSY-FS	F0191278	4"	1	500	9,340.00
	C400N-OSY-FS	F0191279	6"	1	510	14,277.00
	C400N-OSY-FS	F0191280	8"	1	709	24,678.00
	C400N-OSY-FS	F0191281	10"	1	1106	38,488.00

### N-Pattern with Domestic OSY resilient seated shutoff valves and Flood Sensor

LEAD FREE*	MODEL	ORDERING CODE	SIZE	QTY. PER CARTON	WEIGHT PER CARTON (LBS.)	LIST PRICE (EACH)
	C400N-DOSY-FS	F0206389	4"	1	500	10,546.00
	C400N-DOSY-FS	F0206493	8"	1	709	24,678.00

### Z-Pattern with OSY resilient seated shutoff valves and Flood Sensor

LEAD FREE*	MODEL	ORDERING CODE	SIZE	QTY. PER CARTON	WEIGHT PER CARTON (LBS.)	LIST PRICE (EACH)
	C400Z-OSY-FS	F0191282	2 1/2"	1	225	6,281.00
	C400Z-OSY-FS	F0191283	3"	1	211	7,213.00
	C400Z-OSY-FS	F0191284	4"	1	252	9,340.00
	C400Z-OSY-FS	F0191285	6"	1	449	14,277.00
	C400Z-OSY-FS	F0191286	8"	1	709	24,678.00
	C400Z-OSY-FS	F0191287	10"	1	1095	38,488.00

### With NRS resilient seated shutoff valves and Flood Sensor

LEAD FREE*	MODEL	ORDERING CODE	SIZE	QTY. PER CARTON	WEIGHT PER CARTON (LBS.)	LIST PRICE (EACH)
	C400-NRS-FS	F0191288	2 1/2"	1	168	5,545.00
	C400-NRS-FS	F0191289	3"	1	224	6,268.00
	C400-NRS-FS	F0191290	4"	1	165	8,326.00
	C400-NRS-FS	F0191291	6"	1	308	12,674.00
	C400-NRS-FS	F0191292	8"	1	591	21,955.00
	C400-NRS-FS	F0191293	10"	1	923	32,998.00

### With Domestic NRS resilient seated shutoff valves and Flood Sensor

LEAD FREE*	MODEL	ORDERING CODE	SIZE	QTY. PER CARTON	WEIGHT PER CARTON (LBS.)	LIST PRICE (EACH)
	C400-DNRS-FS	F0425199	2 1/2"	1	168	11,772.00
	C400-DNRS-FS	F0425200	3"	1	224	13,305.00
	C400-DNRS-FS	F0425201	4"	1	165	17,678.00
	C400-DNRS-FS	F0425202	6"	1	308	26,924.00
	C400-DNRS-FS	F0425203	8"	1	591	46,653.00
	C400-DNRS-FS	F0425204	10"	1	923	70,134.00

### With NRS resilient seated shutoff valves - Groove Inlet x Groove Outlet and Flood Sensor

LEAD FREE*	MODEL	ORDERING CODE	SIZE	QTY. PER CARTON	WEIGHT PER CARTON (LBS.)	LIST PRICE (EACH)
	C400-NRS-GxG-FS	F0112116	2 1/2"	1	168	5,545.00
	C400-NRS-GxG-FS	F0112117	3"	1	224	6,268.00

### N-Pattern with NRS resilient seated shutoff valves and Flood Sensor

LEAD FREE*	MODEL	ORDERING CODE	SIZE	QTY. PER CARTON	WEIGHT PER CARTON (LBS.)	LIST PRICE (EACH)
	C400N-NRS-FS	F0191295	3"	1	197	7,081.00
	C400N-NRS-FS	F0191296	4"	1	280	9,287.00

### N-Pattern with Domestic NRS resilient seated shutoff valves and Flood Sensor

LEAD FREE*	MODEL	ORDERING CODE	SIZE	QTY. PER CARTON	WEIGHT PER CARTON (LBS.)	LIST PRICE (EACH)
	C400N-DNRS-FS	F0425218	3"	1	197	15,035.00



\*The wetted surface of this product contacted by consumable water contains less than 0.25% of lead by weight.

# Reduced Pressure Zone Assemblies

MODEL	ORDERING CODE	SIZE	QTY. PER CARTON	WEIGHT PER CARTON (LBS.)	LIST PRICE (EACH)
-------	---------------	------	-----------------	--------------------------	-------------------

## Stainless Steel Body (cont.)

### Z-Pattern with NRS resilient seated shutoff valves and Flood Sensor

LEAD FREE	MODEL	ORDERING CODE	SIZE	QTY. PER CARTON	WEIGHT PER CARTON (LBS.)	LIST PRICE (EACH)
	C400Z-NRS-FS	F0191300	2 1/2"	1	176	\$ 6,220.00
	C400Z-NRS-FS	F0191301	3"	1	197	7,081.00
	C400Z-NRS-FS	F0191302	4"	1	252	9,287.00

### With gear operated, UL/FM Butterfly valves and Flood Sensor

LEAD FREE	MODEL	ORDERING CODE	SIZE	QTY. PER CARTON	WEIGHT PER CARTON (LBS.)	LIST PRICE (EACH)
	C400-BFG-FS	F0692865	4"	1	75	9,302.00
	C400-BFG-FS	F0692866	6"	1	140	14,733.00

### N-Pattern with gear operated, UL/FM Butterfly valves and Flood Sensor

LEAD FREE	MODEL	ORDERING CODE	SIZE	QTY. PER CARTON	WEIGHT PER CARTON (LBS.)	LIST PRICE (EACH)
	C400N-BFG-FS	F0191416	2 1/2"	1	86.2	6,832.00
	C400N-BFG-FS	F0191417	3"	1	90	7,666.00
	C400N-BFG-FS	F0191415	4"	1	109	9,888.00
	C400N-BFG-FS	F0191418	6"	1	300	14,843.00

### Z-Pattern with gear operated, UL/FM Butterfly valves and Flood Sensor

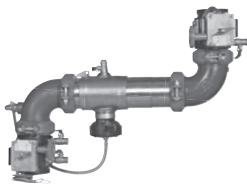
LEAD FREE	MODEL	ORDERING CODE	SIZE	QTY. PER CARTON	WEIGHT PER CARTON (LBS.)	LIST PRICE (EACH)
	C400Z-BFG-FS	F0191480	2 1/2"	1	90	7,335.00
	C400Z-BFG-FS	F0191481	3"	1	93	8,237.00
	C400Z-BFG-FS	F0191482	4"	1	114.9	10,637.00
	C400Z-BFG-FS	F0191483	6"	1	200	15,986.00

### With OSY resilient seated shutoff valves - Flange Inlet x Groove Outlet and Flood Sensor

LEAD FREE	MODEL	ORDERING CODE	SIZE	QTY. PER CARTON	WEIGHT PER CARTON (LBS.)	LIST PRICE (EACH)
	C400-OSY-FXG-FS	F0191568	2 1/2"	1	200	5,600.00
	C400-OSY-FXG-FS	F0191569	3"	1	180	6,297.00
	C400-OSY-FXG-FS	F0191570	4"	1	250	8,372.00
	C400-OSY-FXG-FS	F0191571	6"	1	410	13,264.00
	C400-OSY-FXG-FS	F0191572	8"	1	602	22,509.00

### With OSY resilient seated shutoff valves - Groove Inlet x Groove Outlet and Flood Sensor

LEAD FREE	MODEL	ORDERING CODE	SIZE	QTY. PER CARTON	WEIGHT PER CARTON (LBS.)	LIST PRICE (EACH)
	C400-OSY-GXG-FS	F0112110	2 1/2"	1	200	5,600.00
	C400-OSY-GXG-FS	F0112111	3"	1	228	6,297.00
	C400-OSY-GXG-FS	F0112112	4"	1	257	8,372.00
	C400-OSY-GXG-FS	F0112113	6"	1	428	13,264.00
	C400-OSY-GXG-FS	F0112114	8"	1	639	22,509.00
	C400-OSY-GXG-FS	F0112115	10"	1	922	33,360.00



C400Z-BFG-FS



## Sensor Kits

ORDERING CODE	KIT NO.	DESCRIPTION	LIST PRICE
<b>Sensor Connection Kits for C400 sizes 2 1/2" to 10"</b>			
88009418	FP-BF-BMS-2 1/2-10	BMS Sensor Connection Kit	\$ 752.50
88009420	FP-BF-CFS-2 1/2-10	Cellular Sensor Connection Kit	914.00
<b>Sensor Retrofit Connection Kits for C400 sizes 2 1/2" to 10"</b>			
88009419	FP-RFK-BF-BMS-CFS-2 1/2-10	BMS Sensor Retrofit Connection Kit	940.50
88009421	FP-RFK-BF-CFS-2 1/2-10	Cellular Sensor Retrofit Connection Kit	1,882.00

## Freeze Sensor Connection Kits

ORDERING CODE	KIT NO.	DESCRIPTION	LIST PRICE
<b>Freeze Sensor Connection Kit for Backflow Preventers and Other Cold-vulnerable, Water-carrying Equipment, All sizes</b>			
88009529	FP-A-WiFi/BMS/IMS-FZ	Freeze Sensor Connection Kit	\$ 940.50

## Sensor Replacement Kits

ORDERING CODE	KIT NO.	DESCRIPTION	LIST PRICE
<b>Sensor Replacement for C400 sizes 2 1/2" to 10"</b>			
88009476	FP-BF-SA-994/957/AMES-2 1/2-12	Flood Sensor Replacement	\$ 940.50



\*The wetted surface of this product contacted by consumable water contains less than 0.25% of lead by weight.



# Reduced Pressure Zone Assemblies

MODEL	ORDERING CODE	SIZE	QTY. PER CARTON	WEIGHT PER CARTON (LBS.)	LIST PRICE (EACH)
-------	---------------	------	-----------------	--------------------------	-------------------

## Stainless Steel Body (cont.)

### With OSY resilient seated shutoff valves

LEAD FREE*	MODEL	ORDERING CODE	SIZE	QTY. PER CARTON	WEIGHT PER CARTON (LBS.)	LIST PRICE (EACH)
	M400-OSY	0191072	2 1/2"	1	128	\$ 7,214.00
	M400-OSY	0191073	3"	1	148	8,115.00
	M400-OSY	0191074	4"	1	222	10,793.00
	M400-OSY	0191075	6"	1	393	16,852.00
	M400-OSY	0191076	8"	1	567	29,013.00
	M400-OSY	0191077	10"	1	784	43,003.00

### N-Pattern with OSY resilient seated shutoff valves

LEAD FREE*	MODEL	ORDERING CODE	SIZE	QTY. PER CARTON	WEIGHT PER CARTON (LBS.)	LIST PRICE (EACH)
	M400N-OSY	0191078	2 1/2"	1	136	8,236.00
	M400N-OSY	0191079	3"	1	161	9,332.00
	M400N-OSY	0191080	4"	1	245	12,246.00
	M400N-OSY	0191081	6"	1	433	18,730.00
	M400N-OSY	0191082	8"	1	643	30,845.00
	M400N-OSY	0191083	10"	1	954	48,039.00

### Z-Pattern with OSY resilient seated shutoff valves

LEAD FREE*	MODEL	ORDERING CODE	SIZE	QTY. PER CARTON	WEIGHT PER CARTON (LBS.)	LIST PRICE (EACH)
	M400Z-OSY	0191084	2 1/2"	1	136	8,236.00
	M400Z-OSY	0191085	3"	1	161	9,332.00
	M400Z-OSY	0191086	4"	1	245	12,246.00
	M400Z-OSY	0191087	6"	1	433	18,730.00
	M400Z-OSY	0191088	8"	1	643	30,845.00
	M400Z-OSY	0191089	10"	1	954	48,039.00

### With NRS resilient seated shutoff valves

LEAD FREE*	MODEL	ORDERING CODE	SIZE	QTY. PER CARTON	WEIGHT PER CARTON (LBS.)	LIST PRICE (EACH)
	M400-NRS	0191090	2 1/2"	1	118	7,142.00
	M400-NRS	0191091	3"	1	134	8,080.00
	M400-NRS	0191092	4"	1	222	10,726.00
	M400-NRS	0191093	6"	1	371	16,333.00
	M400-NRS	0191094	8"	1	525	28,296.00
	M400-NRS	0191095	10"	1	724	42,536.00

### N-Pattern with NRS resilient seated shutoff valves

LEAD FREE*	MODEL	ORDERING CODE	SIZE	QTY. PER CARTON	WEIGHT PER CARTON (LBS.)	LIST PRICE (EACH)
	M400N-NRS	0191096	2 1/2"	1	126	8,158.00
	M400N-NRS	0191097	3"	1	147	9,286.00
	M400N-NRS	0191098	4"	1	245	12,181.00
	M400N-NRS	0191099	6"	1	411	18,173.00
	M400N-NRS	0191100	8"	1	601	30,111.00
	M400N-NRS	0191101	10"	1	894	47,564.00

### Z-Pattern with NRS resilient seated shutoff valves

LEAD FREE*	MODEL	ORDERING CODE	SIZE	QTY. PER CARTON	WEIGHT PER CARTON (LBS.)	LIST PRICE (EACH)
	M400Z-NRS	0191484	2 1/2"	1	126	8,158.00
	M400Z-NRS	0191485	3"	1	147	9,286.00
	M400Z-NRS	0191486	4"	1	187	12,181.00
	M400Z-NRS	0191487	6"	1	317	18,173.00
	M400Z-NRS	0191488	8"	1	516	30,111.00
	M400Z-NRS	0191489	10"	1	893	47,564.00

### N-Pattern with gear operated, UL/FM Butterfly valves

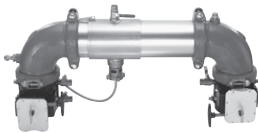
LEAD FREE*	MODEL	ORDERING CODE	SIZE	QTY. PER CARTON	WEIGHT PER CARTON (LBS.)	LIST PRICE (EACH)
	M400N-BFG	0191102	2 1/2"	1	67	8,904.00
	M400N-BFG	0191103	3"	1	70	9,998.00
	M400N-BFG	0191104	4"	1	145	12,921.00
	M400N-BFG	0191105	6"	1	254	19,418.00

### Z-Pattern with gear operated, UL/FM Butterfly valves

LEAD FREE*	MODEL	ORDERING CODE	SIZE	QTY. PER CARTON	WEIGHT PER CARTON (LBS.)	LIST PRICE (EACH)
	M400Z-BFG	0191106	2 1/2"	1	67	8,904.00
	M400Z-BFG	0191107	3"	1	70	9,998.00
	M400Z-BFG	0191108	4"	1	145	12,921.00
	M400Z-BFG	0191109	6"	1	254	19,418.00



M400N-OSY



M400N-BFG



\*The wetted surface of this product contacted by consumable water contains less than 0.25% of lead by weight.

# Reduced Pressure Zone Assemblies

MODEL	ORDERING CODE	SIZE	QTY. PER CARTON	WEIGHT PER CARTON (LBS.)	LIST PRICE (EACH)
-------	---------------	------	-----------------	--------------------------	-------------------

## Stainless Steel Body (cont.)

### Less shutoff valves and Flood Sensor

LEAD FREE	4000SS-LG-FS	F0690477	-	2 1/2"	1	55	\$ 4,928.00
	4000SS-LG-FS	F0690486	-	3"	1	64	5,567.00
	4000SS-LG-FS	F0690495	-	4"	1	59	7,936.00
	4000SS-LG-FS	F0690505	-	6"	1	101	12,397.00
	4000SS-LG-FS	F0690467	-	8"	1	225	20,961.00
	4000SS-LG-FS	F0690535	-	10"	1	232	29,958.00

### With Red Silicone Internals and Flood Sensor

LEAD FREE	4000SS-SR-LG-FS	F0691819	-	2 1/2"	1	55	5,269.00
	4000SS-SR-LG-FS	F0691820	-	3"	1	58	5,958.00
	4000SS-SR-LG-FS	F0691821	-	4"	1	60	7,936.00
	4000SS-SR-LG-FS	F0691822	-	6"	1	103	12,397.00

### With OSY resilient seated shutoff valves and Flood Sensor

LEAD FREE	4000SS-OSY-FS	F0690478	-	2 1/2"	1	243	6,869.00
	4000SS-OSY-FS	F0690487	-	3"	1	240	7,728.00
	4000SS-OSY-FS	F0690496	-	4"	1	323	10,278.00
	4000SS-OSY-FS	F0690506	-	6"	1	514	16,043.00
	4000SS-OSY-FS	F0690468	-	8"	1	760	27,620.00
	4000SS-OSY-FS	F0690536	-	10"	1	1120	40,939.00

### With Domestic OSY resilient seated shutoff valves and Flood Sensor

LEAD FREE	4000SS-DOSY-FS	F0692724	-	2 1/2"	1	243	6,869.00
	4000SS-DOSY-FS	F0692722	-	3"	1	263	7,728.00
	4000SS-DOSY-FS	F0692721	-	4"	1	337	10,278.00
	4000SS-DOSY-FS	F0692723	-	6"	1	514	16,043.00
	4000SS-DOSY-FS	F0692725	-	8"	1	760	27,620.00
	4000SS-DOSY-FS	F0692729	-	10"	1	1120	40,939.00

### With OSY resilient seated shutoff valves, Flow Switch and Flood Sensor

4000SSF-OSY-FS	F0690925	-	4"	1	346	10,278.00
----------------	----------	---	----	---	-----	-----------

### With NRS resilient seated shutoff valves and Flood Sensor

LEAD FREE	4000SS-NRS-FS	F0690479	-	2 1/2"	1	210	6,805.00
	4000SS-NRS-FS	F0690488	-	3"	1	255	7,684.00
	4000SS-NRS-FS	F0690497	-	4"	1	334	10,213.00
	4000SS-NRS-FS	F0690507	-	6"	1	470	15,551.00
	4000SS-NRS-FS	F0690469	-	8"	1	732	26,936.00
	4000SS-NRS-FS	F0690537	-	10"	1	1020	40,497.00

### With OSY resilient seated shutoff valves - Groove Inlet x Groove Outlet and Flood Sensor

LEAD FREE	4000SS-DOSY-GXG-FS	F0694000	-	2 1/2"	1	144	6,869.00
	4000SS-DOSY-GXG-FS	F0694003	-	3"	1	226	7,728.00
	4000SS-DOSY-GXG-FS	F0694006	-	4"	1	323	10,278.00
	4000SS-DOSY-GXG-FS	F0694009	-	6"	1	511	16,043.00
	4000SS-DOSY-GXG-FS	F0694012	-	8"	1	752	27,620.00
	4000SS-DOSY-GXG-FS	F0694015	-	10"	1	805	40,939.00

### With OSY resilient seated shutoff valves - Groove Inlet x Groove Outlet and Flood Sensor

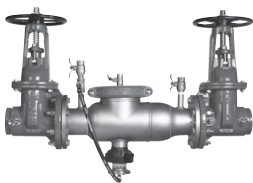
LEAD FREE	4000SS-DOSY-GXG-FS	F0694000	-	2 1/2"	1	144	6,869.00
	4000SS-DOSY-GXG-FS	F0694003	-	3"	1	226	7,728.00
	4000SS-DOSY-GXG-FS	F0694006	-	4"	1	323	10,278.00
	4000SS-DOSY-GXG-FS	F0694009	-	6"	1	511	16,043.00
	4000SS-DOSY-GXG-FS	F0694012	-	8"	1	752	27,620.00
	4000SS-DOSY-GXG-FS	F0694015	-	10"	1	805	40,939.00

### With OSY resilient seated shutoff valves - Groove Inlet x Flange Outlet and Flood Sensor

4000SS-DOSY-GXF-FS	F0694001	-	2 1/2"	1	144	6,869.00
--------------------	----------	---	--------	---	-----	----------

### With OSY resilient seated shutoff valves - Flange Inlet x Groove Outlet and Flood Sensor

LEAD FREE	4000SS-DOSY-FXG-FS	F0694002	-	2 1/2"	1	144	6,869.00
	4000SS-DOSY-FXG-FS	F0694008	-	4"	1	350	10,278.00
	4000SS-DOSY-FXG-FS	F0694014	-	8"	1	752	27,620.00
	4000SS-DOSY-FXG-FS	F0694017	-	10"	1	805	40,939.00



4000SS-OSY-FS

# Reduced Pressure Detector Assemblies



## Sensor Kits

ORDERING CODE	KIT NO.	DESCRIPTION	LIST PRICE
<b>Sensor Connection Kits for 400SS sizes 2 1/2" to 10"</b>			
88009418	FP-BF-BMS-2 1/2-10	BMS Sensor Connection Kit	\$ 752.50
88009420	FP-BF-CFS-2 1/2-10	Cellular Sensor Connection Kit	914.00
<b>Sensor Retrofit Connection Kits for 400SS sizes 2 1/2" - 10"</b>			
88009419	FP-RFK-BF-BMS-CFS-2 1/2-10	BMS Sensor Retrofit Connection Kit	940.50
88009421	FP-RFK-BF-CFS-2 1/2-10	Cellular Sensor Retrofit Connection Kit	1,882.00

## Sensor Replacement Kits

ORDERING CODE	KIT NO.	DESCRIPTION	LIST PRICE
<b>Sensor Replacement for 400SS sizes 2 1/2 to 12 IN</b>			
88009476	FP-BF-SA-994/957/AMES-2 1/2-12	Flood Sensor Replacement	\$ 940.50

MODEL	ORDERING CODE	SIZE	QTY. PER CARTON	WEIGHT PER CARTON (LBS.)	LIST PRICE (EACH)
-------	---------------	------	-----------------	--------------------------	-------------------

### Stainless Steel Body

#### With OSY resilient seated shutoff valves and Flood Sensor

C500-OSY-C-FS	F0191306	-	2 1/2"	1	192	\$ 7,555.00
C500-OSY-C-FS	F0191307	-	3"	1	213	8,349.00
C500-OSY-C-FS	F0191308	-	4"	1	275	9,846.00
C500-OSY-C-FS	F0191309	-	6"	1	439	14,450.00
C500-OSY-C-FS	F0191310	-	8"	1	647	25,696.00
C500-OSY-C-FS	F0191311	-	10"	1	998	36,654.00

#### With OSY resilient seated shutoff valves and Flood Sensor

C500-OSY-G-FS	F0191312	-	2 1/2"	1	192	7,555.00
C500-OSY-G-FS	F0191313	-	3"	1	213	8,349.00
C500-OSY-G-FS	F0191314	-	4"	1	243	9,846.00
C500-OSY-G-FS	F0191315	-	6"	1	423	14,450.00
C500-OSY-G-FS	F0191316	-	8"	1	647	25,696.00
C500-OSY-G-FS	F0191317	-	10"	1	997	36,654.00

#### With OSY resilient seated shutoff valves and Flood Sensor

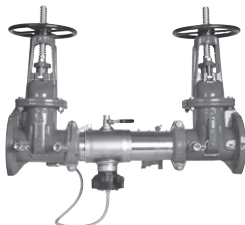
LFC500-OSY-C-FS	F0124633	-	2 1/2"	1	192	8,330.00
LFC500-OSY-C-FS	F0124634	-	3"	1	213	9,202.00
LFC500-OSY-C-FS	F0124635	-	4"	1	275	10,850.00
LFC500-OSY-C-FS	F0124636	-	6"	1	439	15,925.00
LFC500-OSY-C-FS	F0124637	-	8"	1	647	28,312.00
LFC500-OSY-C-FS	F0124638	-	10"	1	998	40,386.00

#### Lead Free Reduced Pressure Detector Assemblies - Stainless Steel Body and Flood Sensor

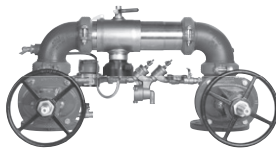
LFC500-OSY-G-FS	F0124639	-	2 1/2"	1	192	8,330.00
LFC500-OSY-G-FS	F0124640	-	3"	1	213	9,202.00
LFC500-OSY-G-FS	F0124641	-	4"	1	243	10,850.00
LFC500-OSY-G-FS	F0124642	-	6"	1	423	15,925.00
LFC500-OSY-G-FS	F0124643	-	8"	1	647	28,312.00
LFC500-OSY-G-FS	F0124644	-	10"	1	997	40,386.00

#### With Domestic OSY resilient seated shutoff valves and Flood Sensor

C500-DOSY-C-FS	F0206409	-	2 1/2"	1	275	11,126.00
C500-DOSY-C-FS	F0206498	-	3"	1	647	25,696.00
C500-DOSY-G-FS	F0206413	-	4"	1	275	11,126.00
C500-DOSY-G-FS	F0206414	-	6"	1	423	16,328.00
C500-DOSY-G-FS	F0206499	-	8"	1	647	25,696.00



C500-OSY-FS



C500N-OSY-FS

LEAD FREE



\*The wetted surface of this product contacted by consumable water contains less than 0.25% of lead by weight.

# Reduced Pressure Detector Assemblies

MODEL	ORDERING CODE	SIZE	QTY. PER CARTON	WEIGHT PER CARTON (LBS.)	LIST PRICE (EACH)
-------	---------------	------	-----------------	--------------------------	-------------------

## Stainless Steel Body (cont.)

### With OSY resilient seated shutoff valves, less meter and Flood Sensor

C500-OSY-LM-FS	F0206632	-	2 1/2"	1	192	7,408.00
----------------	----------	---	--------	---	-----	----------

### Lead Free with Domestic OSY resilient seated shutoff valves, less meter and Flood Sensor

<b>LEAD FREE</b>	LFC500-DOSY-LM-FS	F0425255	-	4"	1	275	12,069.00
------------------	-------------------	----------	---	----	---	-----	-----------

### Lead Free with Domestic OSY resilient seated shutoff valves and Flood Sensor

<b>LEAD FREE</b>	LFC500-DOSY-C-FS	F0425243	-	4"	1	243	12,256.00
	LFC500-DOSY-C-FS	F0425244	-	6"	1	423	17,996.00
	LFC500-DOSY-C-FS	F0425245	-	8"	1	647	28,312.00
	LFC500-DOSY-G-FS	F0124680	-	4"	1	275	12,256.00

### With Domestic NRS resilient seated shutoff valves and Flood Sensor

C500-NRS-G-FS	F0191344	-	8"	1	647	25,696.00
C500-NRS-G-FS	F0191345	-	10"	1	997	36,654.00

### With Domestic NRS resilient seated shutoff valves and Flood Sensor

C500-DNRS-G-FS	F0191646	-	6"	1	423	14,450.00
C500-DNRS-G-FS	F0191647	-	8"	1	647	25,696.00
C500-DNRS-G-FS	F0191648	-	10"	1	997	36,654.00

### N-Pattern with OSY resilient seated shutoff valves and Flood Sensor

<b>LEAD FREE</b>	C500N-OSY-C-FS	F0191318		2 1/2"	1	200	\$ 8,320.00
	C500N-OSY-C-FS	F0191320		4"	1	266	10,870.00
	C500N-OSY-C-FS	F0191321		6"	1	463	16,107.00
	C500N-OSY-C-FS	F0191322		8"	1	723	27,997.00
	C500N-OSY-C-FS	F0191323		10"	1	1164	41,856.00
	LFC500N-OSY-C-FS	F0124646		4"	1	266	11,974.00
	LFC500N-OSY-C-FS	F0124647		6"	1	463	17,752.00
	LFC500N-OSY-G-FS	F0124651		8"	1	492	30,848.00
	LFC500N-OSY-G-FS	F0124652		10"	1	1164	46,121.00

### N-Pattern with Domestic OSY resilient seated shutoff valves and Flood Sensor

C500N-DOSY-C-FS	F0206417		4"	1	266	12,282.00
C500N-DOSY-C-FS	F0206418		6"	1	463	18,202.00
C500N-DOSY-C-FS	F0206500		8"	1	723	27,997.00
C500N-DOSY-G-FS	F0206501		8"	1	723	27,997.00
LFC500N-DOSY-C-FS	F0425281		8"	1	723	30,848.00

### N-Pattern with Domestic NRS resilient seated shutoff valves and Flood Sensor

C500N-DNRS-G-FS	F0191652		6"	1	463	16,107.00
C500N-DNRS-G-FS	F0191653		8"	1	723	27,997.00

### Lead Free N-Pattern with Domestic OSY resilient seated shutoff valves, less meter and Flood Sensor

<b>LEAD FREE</b>	LFC500N-DOSY-LM-FS	F0425292		6"	1	492	19,853.00
------------------	--------------------	----------	--	----	---	-----	-----------

### N-Pattern with OSY resilient seated shutoff valves and Flood Sensor

C500N-OSY-G-FS	F0191326		4"	1	266	10,870.00
C500N-OSY-G-FS	F0191327		6"	1	363	16,107.00
C500N-OSY-G-FS	F0191328		8"	1	492	27,997.00
C500N-OSY-G-FS	F0191329		10"	1	1164	41,856.00



\*The wetted surface of this product contacted by consumable water contains less than 0.25% of lead by weight.

# Reduced Pressure Detector Assemblies

MODEL	ORDERING CODE	SIZE	QTY. PER CARTON	WEIGHT PER CARTON (LBS.)	LIST PRICE (EACH)
<b>Stainless Steel Body (cont.)</b>					
<b>N-Pattern with Domestic OSY resilient seated shutoff valves and Flood Sensor</b>					
C500N-DOSY-C-FS	F0206417	4"	1	266	12,282.00
C500N-DOSY-C-FS	F0206418	6"	1	463	18,202.00
C500N-DOSY-C-FS	F0206500	8"	1	723	27,997.00
C500N-DOSY-G-FS	F0206501	8"	1	723	27,997.00
<b>N-Pattern with Domestic NRS resilient seated shutoff valves and Flood Sensor</b>					
C500N-DNRS-G-FS	F0191652	6"	1	463	16,107.00
C500N-DNRS-G-FS	F0191653	8"	1	723	27,997.00
<b>Z-Pattern with OSY resilient seated shutoff valves and Flood Sensor</b>					
C500Z-OSY-C-FS	F0191331	3"	1	225	9,256.00
C500Z-OSY-C-FS	F0191332	4"	1	266	10,870.00
C500Z-OSY-C-FS	F0191333	6"	1	463	16,107.00
C500Z-OSY-C-FS	F0191334	8"	1	723	27,997.00
C500Z-OSY-C-FS	F0191335	10"	1	1164	41,856.00
C500Z-OSY-G-FS	F0191338	4"	1	266	10,870.00
C500Z-OSY-G-FS	F0191339	6"	1	463	16,107.00
C500Z-OSY-G-FS	F0191340	8"	1	723	27,997.00
C500Z-OSY-G-FS	F0191341	10"	1	1164	41,856.00
LFC500Z-OSY-C-FS	F0124653	2 1/2"	1	200	9,171.00
LFC500Z-OSY-C-FS	F0124655	4"	1	266	11,974.00
LFC500Z-OSY-C-FS	F0124657	8"	1	723	30,848.00
LFC500Z-OSY-G-FS	F0124658	2 1/2"	1	200	9,171.00
LFC500Z-OSY-G-FS	F0124660	4"	1	266	11,974.00
LFC500Z-OSY-G-FS	F0124661	6"	1	463	17,752.00
<b>N-Pattern with gear operated, UL/FM Butterfly valves and Flood Sensor</b>					
C500N-BFG-C-FS	F0191460	2 1/2"	1	132	\$ 9,573.00
C500N-BFG-C-FS	F0191462	4"	1	100	12,318.00
C500N-BFG-G-FS	F0191464	2 1/2"	1	132	9,573.00
C500N-BFG-G-FS	F0191465	3"	1	108	10,576.00
C500N-BFG-G-FS	F0191466	4"	1	149	12,318.00
C500N-BFG-G-FS	F0191467	6"	1	285	17,989.00
LFC500N-BFG-C-FS	F0124666	4"	1	100	13,572.00
LFC500N-BFG-G-FS	F0124668	2 1/2"	1	132	10,539.00
LFC500N-BFG-G-FS	F0124670	4"	1	149	13,572.00
LFC500N-BFG-G-FS	F0124671	6"	1	285	19,826.00
<b>Z-Pattern with gear operated, UL/FM Butterfly valves and Flood Sensor</b>					
C500Z-BFG-C-FS	F0191468	2 1/2"	1	105	9,573.00
C500Z-BFG-C-FS	F0191469	3"	1	134	10,576.00
C500Z-BFG-C-FS	F0191470	4"	1	166	12,318.00
C500Z-BFG-C-FS	F0191471	6"	1	285	17,989.00
C500Z-BFG-G-FS	F0191472	2 1/2"	1	132	9,573.00
C500Z-BFG-G-FS	F0191473	3"	1	109	10,576.00
C500Z-BFG-G-FS	F0191474	4"	1	125	12,318.00
C500Z-BFG-G-FS	F0191475	6"	1	285	17,989.00
LFC500Z-BFG-C-FS	F0124672	2 1/2"	1	105	10,539.00
LFC500Z-BFG-C-FS	F0124675	6"	1	285	19,826.00
LFC500Z-BFG-G-FS	F0124676	2 1/2"	1	132	10,539.00
LFC500Z-BFG-G-FS	F0124677	3"	1	109	11,650.00
LFC500Z-BFG-G-FS	F0124678	4"	1	125	13,572.00
LFC500Z-BFG-G-FS	F0124679	6"	1	285	19,826.00



\*The wetted surface of this product contacted by consumable water contains less than 0.25% of lead by weight.

# Reduced Pressure Detector Assemblies

MODEL	ORDERING CODE	SIZE	QTY. PER CARTON	WEIGHT PER CARTON (LBS.)	LIST PRICE (EACH)
-------	---------------	------	-----------------	--------------------------	-------------------

## Stainless Steel Body (cont.)

### With OSY resilient seated shutoff valves and less meter and Flood Sensor

C500-OSY-LM-FS	F0206634	-	4"	1	275	9,694.00
C500-OSY-LM-FS	F0206636	-	8"	1	647	25,548.00
C500-OSY-LM-FS	F0206637	-	10"	1	998	36,500.00

### N-Pattern with OSY resilient seated shutoff valves and less meter and Flood Sensor

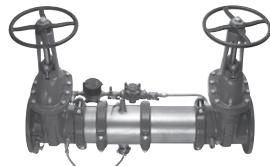
C500N-OSY-LM-FS	F0206642	-	8"	1	723	27,839.00
-----------------	----------	---	----	---	-----	-----------

### Z-Pattern with OSY resilient seated shutoff valves and less meter and Flood Sensor

C500Z-OSY-LM-FS	F0206647	-	6"	1	492	15,952.00
C500Z-OSY-LM-FS	F0206648	-	8"	1	723	27,839.00

### With OSY resilient seated shutoff valves

M500-OSY-CFM/GPM	0191110	0191116	2 1/2"	1	142	10,603.00
M500-OSY-CFM/GPM	0191111	0191117	3"	1	162	11,721.00
M500-OSY-CFM/GPM	0191112	0191118	4"	1	236	13,819.00
M500-OSY-CFM/GPM	0191113	0191119	6"	1	407	20,284.00
M500-OSY-CFM/GPM	0191114	0191120	8"	1	581	35,030.00
M500-OSY-CFM/GPM	0191115	0191121	10"	1	798	49,965.00
LFM500-OSY-CFM/GPM	0124777	0124783	2 1/2"	1	142	11,369.00
LFM500-OSY-CFM/GPM	0124778	0124784	3"	1	162	12,561.00
LFM500-OSY-CFM/GPM	0124779	0124785	4"	1	236	14,813.00
LFM500-OSY-CFM/GPM	0124780	0124786	6"	1	407	21,742.00
LFM500-OSY-CFM/GPM	0124781	0124787	8"	1	581	37,544.00
LFM500-OSY-CFM/GPM	0124782	0124788	10"	1	798	53,555.00



M500-OSY

LEAD FREE



## Sensor Kits

ORDERING CODE	KIT NO.	DESCRIPTION	LIST PRICE
<b>Sensor Connection Kits for C500, LFC500 sizes 2 1/2" to 10"</b>			
88009418	FP-BF-BMS-2 1/2-10	BMS Sensor Connection Kit	752.50
88009420	FP-BF-CFS-2 1/2-10	Cellular Sensor Connection Kit	914.00
<b>Sensor Retrofit Connection Kits for C500, LFC500 sizes 2 1/2" to 10"</b>			
88009419	FP-RFK-BF-BMS-CFS-2 1/2-10	BMS Sensor Retrofit Connection Kit	940.50
88009421	FP-RFK-BF-CFS-2 1/2-10	Cellular Sensor Retrofit Connection Kit	1,882.00

## Sensor Replacement Kit

ORDERING CODE	KIT NO.	DESCRIPTION	LIST PRICE
<b>Sensor Replacement for C500, LFC500 sizes 2 1/2" to 10"</b>			
88009476	FP-BF-SA-994/957/AMES-2 1/2-12	Flood Sensor Replacement	\$ 940.50

(LM) = Less Meter  
(CFM) = Cubic Feet Meter  
(GPM) = Gallons Per Minute Meter



\*The wetted surface of this product contacted by consumable water contains less than 0.25% of lead by weight.



# Reduced Pressure Detector Assemblies



M500N-OSY

MODEL	ORDERING CODE	SIZE	QTY. PER CARTON	WEIGHT PER CARTON (LBS.)	LIST PRICE (EACH)	
<b>Stainless Steel Body (cont.)</b>						
<b>N-Pattern with OSY resilient seated shutoff valves</b>						
M500N-OSY-CFM/GPM	0191122	0191128	2 1/2"	1	\$ 11,542.00	
M500N-OSY-CFM/GPM	0191123	0191129	3"	1	12,839.00	
M500N-OSY-CFM/GPM	0191124	0191130	4"	1	15,083.00	
M500N-OSY-CFM/GPM	0191125	0191131	6"	1	22,347.00	
M500N-OSY-CFM/GPM	0191126	0191132	8"	1	37,011.00	
M500N-OSY-CFM/GPM	0191127	0191133	10"	1	55,265.00	
<b>Z-Pattern with OSY resilient seated shutoff valves</b>						
M500Z-OSY-CFM/GPM	0191134	0191140	2 1/2"	1	11,542.00	
M500Z-OSY-CFM/GPM	0191135	0191141	3"	1	12,839.00	
M500Z-OSY-CFM/GPM	0191136	0191142	4"	1	15,083.00	
M500Z-OSY-CFM/GPM	0191137	0191143	6"	1	22,347.00	
M500Z-OSY-CFM/GPM	0191138	0191144	8"	1	37,011.00	
M500Z-OSY-CFM/GPM	0191139	0191145	10"	1	55,265.00	
<b>N-Pattern with gear operated, UL/FM Butterfly valves</b>						
M500N-BFG-CFM/GPM	0191146	0191150	2 1/2"	1	12,291.00	
M500N-BFG-CFM/GPM	0191147	0191151	3"	1	13,588.00	
M500N-BFG-CFM/GPM	0191148	0191152	4"	1	15,826.00	
M500N-BFG-CFM/GPM	0191149	0191153	6"	1	23,111.00	
LEAD FREE	LFM500N-BFG-CFM/GPM	0124801	0124804	2 1/2"	1	13,171.00
	LFM500N-BFG-CFM/GPM	0124802	0124805	3"	1	14,559.00
<b>Z-Pattern with gear operated, UL/FM Butterfly valves</b>						
M500Z-BFG-CFM/GPM	0191154	0191158	2 1/2"	1	12,291.00	
M500Z-BFG-CFM/GPM	0191155	0191159	3"	1	13,588.00	
M500Z-BFG-CFM/GPM	0191156	0191160	4"	1	15,826.00	
M500Z-BFG-CFM/GPM	0191157	0191161	6"	1	23,111.00	
LEAD FREE	LFM500Z-BFG-CFM/GPM	0124808	0124812	2 1/2"	1	13,171.00
	LFM500Z-BFG-CFM/GPM	0124809	0124813	3"	1	14,559.00
<b>With OSY resilient seated shutoff valves and less meter</b>						
M500-OSY-LM	0206650	-	2 1/2"	1	10,404.00	
M500-OSY-LM	0206651	-	3"	1	11,516.00	
M500-OSY-LM	0206652	-	4"	1	13,620.00	
M500-OSY-LM	0206653	-	6"	1	20,089.00	
M500-OSY-LM	0206654	-	8"	1	34,825.00	
M500-OSY-LM	0206655	-	10"	1	49,757.00	

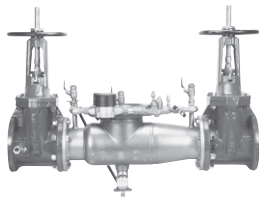
(LM) = Less Meter  
 (CFM) = Cubic Feet Meter  
 (GPM) = Gallons Per Minute Meter



\*The wetted surface of this product contacted by consumable water contains less than 0.25% of lead by weight.

# Reduced Pressure Detector Assemblies

MODEL	ORDERING CODE	SIZE	QTY. PER CARTON	WEIGHT PER CARTON (LBS.)	LIST PRICE (EACH)
<b>Stainless Steel Body (cont.)</b>					
<b>N-Pattern with OSY resilient seated shutoff valves and less meter</b>					
M500N-OSY-LM	0206656	2 1/2"	1	148	\$ 11,338.00
M500N-OSY-LM	0206657	3"	1	173	12,636.00
M500N-OSY-LM	0206658	4"	1	257	14,874.00
M500N-OSY-LM	0206659	6"	1	445	22,144.00
M500N-OSY-LM	0206660	8"	1	655	36,811.00
M500N-OSY-LM	0206661	10"	1	966	55,057.00
<b>Z-Pattern with OSY resilient seated shutoff valves and less meter</b>					
M500Z-OSY-LM	0206662	2 1/2"	1	148	11,338.00
M500Z-OSY-LM	0206663	3"	1	173	12,636.00
M500Z-OSY-LM	0206664	4"	1	257	14,874.00
M500Z-OSY-LM	0206665	6"	1	445	22,144.00
M500Z-OSY-LM	0206666	8"	1	655	36,811.00
M500Z-OSY-LM	0206667	10"	1	966	55,057.00
<b>N-Pattern with gear operated, UL/FM Butterfly valves and less meter</b>					
M500N-BFG-LM	0206668	2 1/2"	1	79	12,086.00
M500N-BFG-LM	0206669	3"	1	83	13,379.00
M500N-BFG-LM	0206670	4"	1	157	15,617.00
M500N-BFG-LM	0206671	6"	1	266	22,906.00
<b>Z-Pattern with gear operated, UL/FM Butterfly valves and less meter</b>					
M500Z-BFG-LM	0206672	2 1/2"	1	79	12,086.00
M500Z-BFG-LM	0206673	3"	1	82	13,379.00
M500Z-BFG-LM	0206674	4"	1	157	15,617.00
M500Z-BFG-LM	0206675	6"	1	266	22,906.00
<b>Less Shutoff Valves and Flood Sensor</b>					
5000SS-LG-CFM-FS	F0690994	4"	1	73	9,361.00
5000SS-LG-CFM-FS	F0690946	6"	1	120	13,558.00
5000SS-LG-GPM-FS	F0690538	2 1/2"	1	63	7,166.00
5000SS-LG-GPM-FS	F0690541	3"	1	80	7,849.00
5000SS-LG-GPM-FS	F0690544	4"	1	52.8	9,361.00
5000SS-LG-GPM-FS	F0690547	6"	1	101	13,558.00
<b>Stainless Steel Body, Less Shutoff Valves, Less Meter and Flood Sensor</b>					
5000SS-LG-LM-FS	F0691567	2 1/2"	1	74	7,027.00
<b>With OSY resilient seated shutoff valves and Flood Sensor</b>					
5000SS-OSY-CFM-FS	F0690991	2 1/2"	1	185	8,823.00
5000SS-OSY-CFM-FS	F0690993	3"	1	220	9,751.00
5000SS-OSY-CFM-FS	F0690995	4"	1	325	11,497.00
5000SS-OSY-CFM-FS	F0690996	6"	1	480	16,878.00
5000SS-OSY-GPM-FS	F0690539	2 1/2"	1	185	8,823.00
5000SS-OSY-GPM-FS	F0690542	3"	1	220	9,751.00
5000SS-OSY-GPM-FS	F0690545	4"	1	325	11,497.00
5000SS-OSY-GPM-FS	F0690548	6"	1	480	16,878.00
<b>With OSY resilient seated shutoff valves and Flood Sensor</b>					
5000SS-DOSY-CFM-FS	F0692710	2 1/2"	1	185	9,444.00
5000SS-DOSY-CFM-FS	F0692708	3"	1	325	12,301.00
5000SS-DOSY-CFM-FS	F0692712	4"	1	480	16,878.00
5000SS-DOSY-GPM-FS	F0692711	2 1/2"	1	185	9,444.00
5000SS-DOSY-GPM-FS	F0692709	3"	1	220	10,435.00
5000SS-DOSY-GPM-FS	F0692706	4"	1	325	11,497.00
5000SS-DOSY-GPM-FS	F0692707	6"	1	480	16,878.00
<b>With OSY resilient seated shutoff valves, Flow Switch and Flood Sensor</b>					
5000SSF-OSY-GPM-FS	F0690944	4"	1	325	11,468.00
5000SSF-OSY-GPM-FS	F0691931	6"	1	480	18,059.00



**5000SS-OSY**

(LM) = Less Meter  
 (CFM) = Cubic Feet Meter  
 (GPM) = Gallons Per Minute Meter

# Reduced Pressure Detector Assemblies

MODEL	ORDERING CODE	SIZE	QTY. PER CARTON	WEIGHT PER CARTON (LBS.)	LIST PRICE (EACH)	
<b>Stainless Steel Body (cont.)</b>						
<b>With OSY resilient seated shutoff valves - Groove Inlet x Flange Outlet</b>						
5000SS-DOSY-GXF-G-FS	F0694022	2 1/2"	1	185	8,823.00	
<b>With OSY resilient seated shutoff valves - Flange Inlet x Groove Outlet</b>						
5000SS-DOSY-FXG-G-FS	F0694023	2 1/2"	1	185	8,823.00	
5000SS-DOSY-FXG-G-FS	F0694029	3"	1	226	9,751.00	
5000SS-DOSY-FXG-G-FS	F0694041	6"	1	465	16,878.00	
<b>With Domestic OSY resilient seated shutoff valves - Groove Inlet x Groove Outlet and Flood Sensor</b>						
5000SS-DOSY-GXG-GPM-FS	F0694021	-	2 1/2"	1	185	9,444.00
5000SS-DOSY-GXG-GPM-FS	F0694033	-	4"	1	300	12,301.00
5000SS-DOSY-GXG-GPM-FS	F0694039	-	6"	1	460	18,059.00



## Sensor Kits

ORDERING CODE	KIT NO.	DESCRIPTION	LIST PRICE
<b>Sensor Connection Kits for 5000SS sizes 2 1/2" to 6"</b>			
88009418	FP-BF-BMS-2 1/2-10	BMS Sensor Connection Kit	752.50
88009420	FP-BF-CFS-2 1/2-10	Cellular Sensor Connection Kit	914.00
<b>Sensor Retrofit Connection Kits for 5000SS sizes 2 1/2" to 6"</b>			
88009419	FP-RFK-BF-BMS-CFS-2 1/2-10	BMS Sensor Retrofit Connection Kit	940.50
88009421	FP-RFK-BF-CFS-2 1/2-10	Cellular Sensor Retrofit Connection Kit	1,882.00

## Sensor Replacement Kits

ORDERING CODE	KIT NO.	DESCRIPTION	LIST PRICE
<b>Sensor Replacement for 5000SS sizes 2 1/2 to 6 IN</b>			
88009476	FP-BF-SA-994/957/AMES-2 1/2-12	Flood Sensor Replacement	\$ 940.50

(LM) = Less Meter  
 (CFM) = Cubic Feet Meter  
 (GPM) = Gallons Per Minute Meter

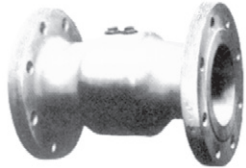


# Miscellaneous Backflow Products

MODEL	ORDERING CODE	SIZE	QTY. PER CARTON	WEIGHT PER CARTON (LBS.)	LIST PRICE (EACH)
-------	---------------	------	-----------------	--------------------------	-------------------

## Irrigation Galvanized Swing Spring Check Valve

### Flanged end connections



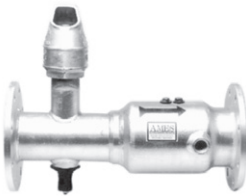
FFF

LEAD FREE*	MODEL	ORDERING CODE	SIZE	QTY. PER CARTON	WEIGHT PER CARTON (LBS.)	LIST PRICE (EACH)
	FFF	0690233	3"	1	15.5	\$ 686.00
	FFF	0690234	4"	1	23	739.50
	FFF	0690235	5"	1	27.5	912.00
	FFF	0690236	6"	1	33	871.50
	FFF	0690237	8"	1	50.5	1,187.00
	FFF	0690238	10"	1	70.5	1,794.00
	FFF	0690239	12"	1	99	2,204.00

### Plain end connections

LEAD FREE*	MODEL	ORDERING CODE	SIZE	QTY. PER CARTON	WEIGHT PER CARTON (LBS.)	LIST PRICE (EACH)
	FPP	0690220	3"	1	6.5	450.50
	FPP	0690221	4"	1	9	469.50
	FPP	0690222	5"	1	14	598.00
	FPP	0690223	6"	1	17.5	577.00
	FPP	0690224	8"	1	26	753.00
	FPP	0690225	10"	1	42	1,206.00

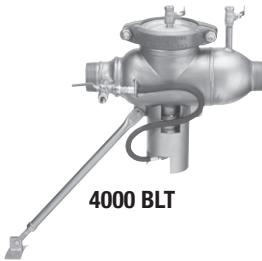
## Anti-Siphon Check Valves



ASCV

LEAD FREE*	MODEL	ORDERING CODE	SIZE	QTY. PER CARTON	WEIGHT PER CARTON (LBS.)	LIST PRICE (EACH)
	ASCV	0690287	3"	1	20	1,283.00
	ASCV	0690288	4"	1	27	1,495.00
	ASCV	0690284	6"	1	40	1,571.00
	ASCV	0690285	8"	1	58	1,928.00
	ASCV	0690286	10"	1	79	2,654.00
	ASCV	0690289	12"	1	108	2,965.00

## Hydrant Meter Backflow



4000 BLT

6000 HMB	0690618	-		1	120	13,428.00
6000 HMB CFM	0692541	-		1	120	13,428.00
4000BLT	0690619	-		1	211	7,589.00

# Miscellaneous Products



8000-F



8000-G



7001 FLG



LFAFBV-FP-SW

MODEL	ORDERING CODE	SIZE	QTY. PER CARTON	WEIGHT PER CARTON (LBS.)	LIST PRICE (EACH)
-------	---------------	------	-----------------	--------------------------	-------------------

### WYE Strainers

#### Stainless Steel with Flange end connections

LEAD FREE*	MODEL	ORDERING CODE	SIZE	QTY. PER CARTON	WEIGHT PER CARTON (LBS.)	LIST PRICE (EACH)
	8000-F	0690192	2 1/2"	1	21	\$ 938.50
	8000-F	0690193	3"	1	26	1,040.00
	8000-F	0690194	4"	1	33	1,190.00
	8000-F	0690196	6"	1	70	1,690.00
	8000-F	0690197	8"	1	91	2,913.00
	8000-F	0690198	10"	1	134	4,496.00
	8000-F	0690199	12"	1	225	7,187.00

#### Stainless Steel with Groove end connections

LEAD FREE*	MODEL	ORDERING CODE	SIZE	QTY. PER CARTON	WEIGHT PER CARTON (LBS.)	LIST PRICE (EACH)
	8000-G	0690858	2 1/2"	1	16	797.50
	8000-G	0690859	3"	1	21	885.00
	8000-G	0690860	4"	1	28	1,005.00
	8000-G	0690862	6"	1	60	1,881.00
	8000-G	0690863	8"	1	81	2,577.00
	8000-G	0690864	10"	1	114	3,921.00
	8000-G	0690865	12"	1	205	6,305.00

### Basket Strainer

#### Fabricated Steel Epoxy lined and coated Fire Service Strainer. UL/FM

With one clean out port available with Flange end connections or Groove end connection.

LEAD FREE*	MODEL	ORDERING CODE	SIZE	QTY. PER CARTON	WEIGHT PER CARTON (LBS.)	LIST PRICE (EACH)
	7001 1 CO FLG/GRV	0690894	3"	1	70	8,605.00
	7001 1 CO FLG/GRV	0690893	4"	1	120	8,834.00
	7001 1 CO FLG/GRV	0690892	6"	1	232	12,678.00
	7001 1 CO FLG/GRV	0690891	8"	1	560	15,947.00

With two clean out port available with Flange end connections or Groove end connection.

LEAD FREE*	MODEL	ORDERING CODE	SIZE	QTY. PER CARTON	WEIGHT PER CARTON (LBS.)	LIST PRICE (EACH)
	7002 2 CO FLG/GRV	0691006	3"	1	170	8,605.00
	7002 2 CO FLG/GRV	0691004	4"	1	120	8,834.00
	7002 2 CO FLG/GRV	0691003	6"	1	232	12,678.00
	7002 2 CO FLG/GRV	0691002	8"	1	560	15,947.00
	7002 2 CO FLG/GRV	0691005	10"	1	570	20,294.00

### Gear Operated Slow-Close Ball Valves

Slow-close gear operated ball valve with supervisory switches; NPT threaded end or grooved end connection.

LEAD FREE*	MODEL	Threaded	Grooved	SIZE	QTY. PER CARTON	WEIGHT PER CARTON (LBS.)	LIST PRICE (EACH)
	LFAFBV-FP	88005710	88005713	1	9	4	649.00
	LFAFBV-FP	88005717	88005714	1 1/4	6	5	697.00
	LFAFBV-FP	88005711	88005715	1 1/2	4	5	825.00
	LFAFBV-FP	88005712	88005716	2	4	6	991.00
	LFAFBV-E-FP	88005718	-	1 1/4	6	5	720.50
	LFAFBV-E-FP	88005720	-	1 1/2	4	5	849.00
	LFAFBV-E-FP	88005721	-	2	4	5	1,013.00



\*The wetted surface of this product contacted by consumable water contains less than 0.25% of lead by weight.

# Miscellaneous Products

MODEL	ORDERING CODE	SIZE	QTY. PER CARTON	WEIGHT PER CARTON (LBS.)	LIST PRICE (EACH)
-------	---------------	------	-----------------	--------------------------	-------------------

## Valve setters



AVS-C FxF

LEAD FREE	AVS-C FxF	0693210	-	3	1	134	\$ 1,299.00
	AVS-C FxF	0693211	-	4	1	161	1,606.00
	AVS-C FxF	0693212	-	6	1	274	2,206.00
	AVS-C FxF	0693213	-	8	1	379	3,131.00
	AVS-C FxF	0693214	-	10	1	491	4,312.00



AVS-C FxMJ

LEAD FREE	AVS-C FxMJ	0693215	-	3	1	130	1,299.00
	AVS-C FxMJ	0693216	-	4	1	157	1,544.00
	AVS-C FxMJ	0693217	-	6	1	282	2,127.00
	AVS-C FxMJ	0693218	-	8	1	367	3,131.00
	AVS-C FxMJ	0693219	-	10	1	469	4,313.00



AVS-C MJxMJ

LEAD FREE	AVS-C MJxMJ	0693220	-	3	1	130	1,409.00
	AVS-C MJxMJ	0693221	-	4	1	157	1,876.00
	AVS-C MJxMJ	0693222	-	6	1	282	2,343.00
	AVS-C MJxMJ	0693223	-	8	1	367	3,014.00
	AVS-C MJxMJ	0693224	-	10	1	469	4,842.00

LEAD FREE	AVS-C FxF RP BFG	0693231	-	3	1	134	1,299.00
	AVS-C FxF RP BFG	0693225	-	4	1	161	1,606.00
	AVS-C FxF RP BFG	0693226	-	6	1	274	2,424.00

LEAD FREE	AVS-C FxMJ RP BFG	0693232	-	3	1	130	1,247.00
	AVS-C FxMJ RP BFG	0693227	-	4	1	161	1,606.00
	AVS-C FxMJ RP BFG	0693228	-	6	1	274	2,424.00
	AVS-C MJxMJ RP BFG	0693233	-	3	1	130	1,409.00
	AVS-C MJxMJ RP BFG	0693229	-	4	1	157	1,870.00
	AVS-C MJxMJ RP BFG	0693230	-	6	1	282	2,575.00

# Accessories

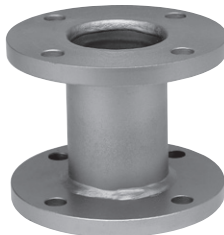
Splash Guard



Air Gap



TC



Spool

MODEL	ORDERING CODE	SIZE	QTY. PER CARTON	WEIGHT PER CARTON (LBS.)	LIST PRICE (EACH)
-------	---------------	------	-----------------	--------------------------	-------------------

### Air Gap Drains

1/2", 3/4" 4000B	7014267	-	1	-	\$ 112.50
1", 1 1/4", 1 1/2" 4000B	0691853	-	1	-	138.00
2" 4000B	0691866	-	1	-	281.50
2 1/2" - 6" 4000SS Vertical	0690511	-	1	-	1,488.00
2 1/2" - 10" 4000SS Plastic	0691842	-	1	-	356.50
4000RP/5000RPDA (Epoxy)	7011361	-	1	-	1,531.00
4" - 10" 4000CIV	7017299	-	1	-	563.00
Splash Guard (only)	7018894	-	1	-	110.50

LEAD FREE

### Elbows

4000B	7012798	-	1/2", 3/4"	1	-	79.25
4000B	7012799	-	1", 1 1/4", 1 1/2"	1	-	86.00
4000B	7016586	-	2"	1	-	165.00

LEAD FREE

#Kits include: (2) Elbows, Nut, Bolts, Gaskets and Ring Gaskets.

### Test Cocks - Bronze

SAE-TC/Ames	0425362	-	1/8"	1	-	90.25
TC/Ames	7017250	-	1/8"	1	-	57.25
TC/Ames	0425363	-	1/4"	1	-	92.75
TC for Colt/Maxim	7018394	-	1/2"	1	-	180.50
TC for Colt/Maxim	7018395	-	3/4"	1	-	188.00
SAE-TC Adapter/Ames	7017627	-	1/4"	1	-	90.00
LFASAE-TC	0425362	-	1/8"	1	-	90.25
LFASAE-TC	0425363	-	1/4"	1	-	92.75

LEAD FREE

### Test Kit

ATG-1	0385502	-		1	8	3,594.00
-------	---------	---	--	---	---	----------

### Meters

5/8 x 3/4 - Cubic Feet	7011171	-		1	-	532.50
5/8 x 3/4 - Gallons Per Minute	7011172	-		1	-	532.50
5/8 x 1/2 CFM - Badger	7017978	-		1	-	532.50
5/8 x 1/2 GPM - Badger	7017979	-		1	-	532.50

### Remote Outside Meter - Badger

ROM DC/RP CFM-B	7018895	-		1	-	1,451.00
ROM DC/RP GPM-B	7018896	-		1	-	1,451.00

ROM includes 10' wire

### Spools and Flanges for retrofitting backflow preventers

LEAD FREE

Spools available in sizes: 2 1/2" x 1 7/8" - 10" x 1 1/2"

Flanges available in sizes: 2" x 1/4" - 10" x 1/2"

Contact your local Ames Agent for ordering information and pricing.



<b>Repair Kit Matrix</b>				
<i>Kit Type</i>	<i>Series</i>	<i>Model</i>	<i>Kit Contents</i>	<i>Size</i>
<p><i>Example:</i> <sup>Kit Type</sup> RK – <sup>Series</sup> C500 – <sup>Model</sup> RPDA – <sup>Kit Contents</sup> CK1 – <sup>Size</sup> 8"</p>				
RK = Repair Kit HK = Handle Kit AK = Accessory Kit UK = Union Kit			B = Bonnet Assembly C = Cover V = Vent or Relief Valve CK = Check or Spring RC = Rubber for Check RV = Rubber for Relief Valve RT = Total Rubber Parts S = Seat M = Metered Bypass L = Less Meter G = GPM C = CFM T = Total (all internal parts) 1 = First Check 2 = Second Check 3 = Both 1st and 2nd Check 4 = Either 1st or 2nd Check SS = Stainless Steel SM = Spring Module	



\*The wetted surface of this product contacted by consumable water contains less than 0.25% of lead by weight.

ORDERING CODE	KIT NO.	SIZE	LIST PRICE
---------------	---------	------	------------

**Cover Kits**

LEAD FREE	7010142	ARK EPOXY C	4"	\$ 696.50
	7010143	ARK EPOXY C	6"	1,023.00
	7010144	ARK EPOXY C	8" - 10"	1,457.00

Kit includes: Cover, Cover Gasket, Vent Screw and Cover Hardware

**Seat Kits**

7010145	ARK EPOXY S	4"	341.50
7010146	ARK EPOXY S	6"	512.00
7010147	ARK EPOXY S	8" - 10"	742.00

Kit includes: Seat, Seat O-Ring and Cover Gasket

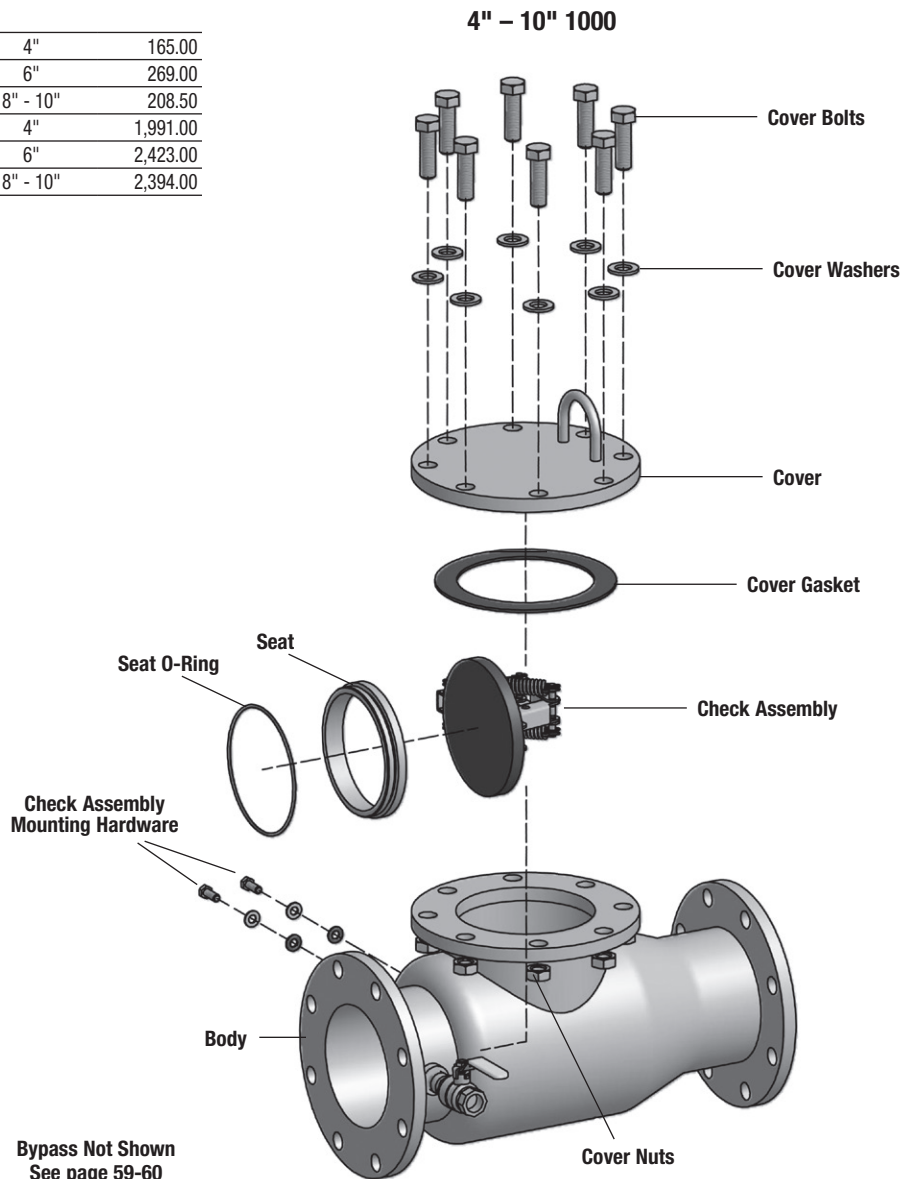
**Check Kits**

LEAD FREE	7010148	ARK 1000 CK1	4"	898.00
	7010149	ARK 1000 CK1	6"	1,065.00
	7010150	ARK 1000 CK1	8" - 10"	1,535.00

Kit includes: Check Assembly and Mounting Hardware

**Tools**

7013911	RETAINER CLIP	4"	165.00
7013912	RETAINER CLIP	6"	269.00
7013913	RETAINER CLIP	8" - 10"	208.50
7013941	SEAT INSTALL-REMOVAL TOOL	4"	1,991.00
7013946	SEAT INSTALL-REMOVAL TOOL	6"	2,423.00
7013950	SEAT INSTALL-REMOVAL TOOL	8" - 10"	2,394.00



Bypass Not Shown  
See page 59-60

ORDERING CODE	KIT NO.	SIZE	LIST PRICE
---------------	---------	------	------------

**Check Kits**

LEAD FREE	7010094	ARK 1000SS CK	4"	\$ 1,316.00
	7010095	ARK 1000SS CK	6"	1,652.00
	7010096	ARK 1000SS CK	8" - 10"	1,899.00

Kit includes: Check Assembly, Check O-Ring (4"-6") or Mounting Hardware (8" - 10")

**Cover Kits**

LEAD FREE	7010090	ARK SS C	2 1/2" - 4"	551.00
	7010091	ARK SS C	6"	780.50
	7010216	ARK SS DCV C	8" - 10"	3,141.00

Kit includes: Cover and Groove Coupler

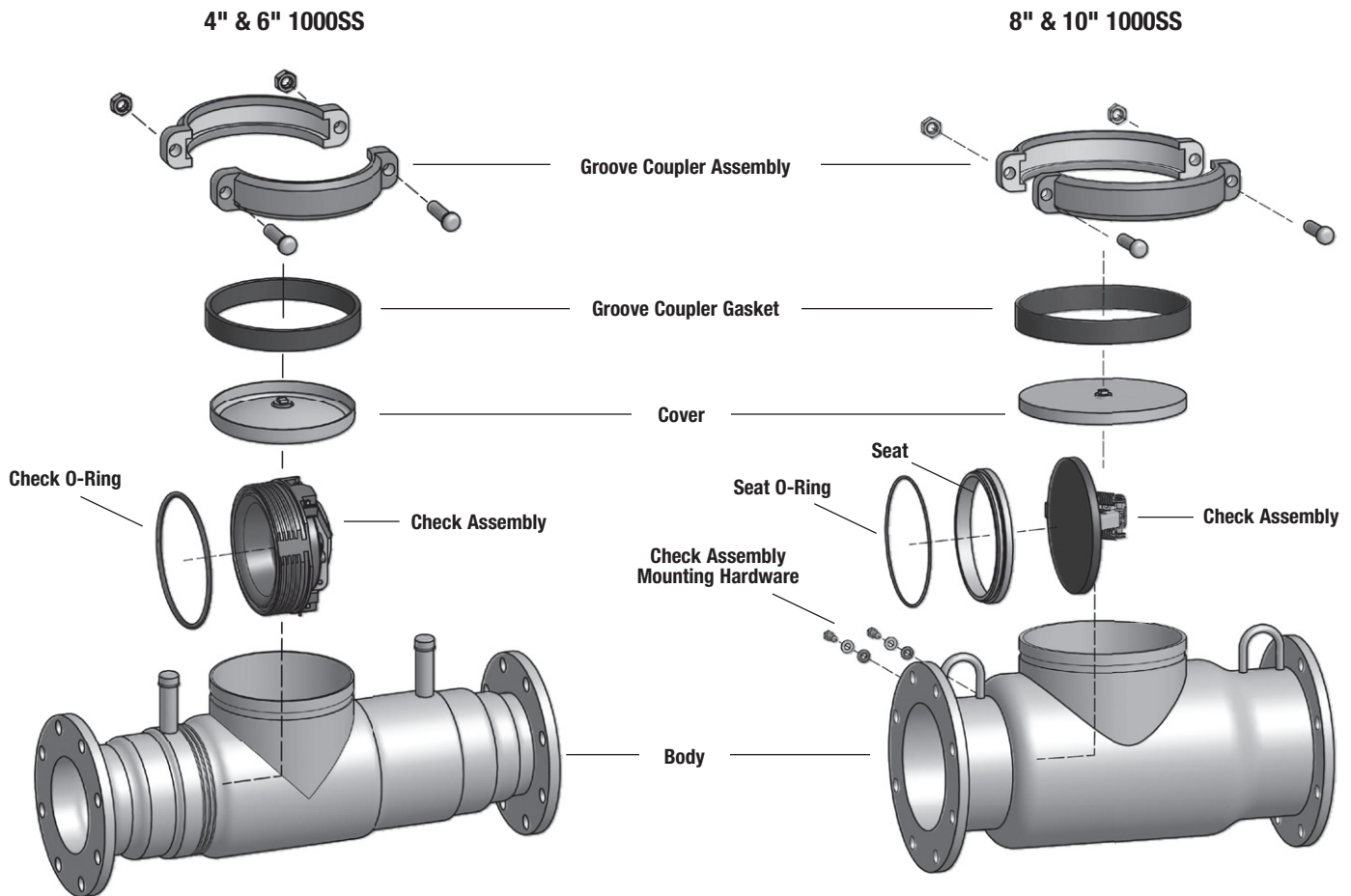
**Seat Kits**

7010147	ARK EPOXY S	8" - 10"	742.00
---------	-------------	----------	--------

Kit includes: Seat Ring, Seat O-Ring and Cover Gasket Tools

**Tools**

7013913	RETAINER CLIP	8" - 10"	208.50
7013950	SEAT INSTALL-REMOVAL TOOL	8" - 10"	2,394.00



Bypass Not Shown  
See page See page 59-60

ORDERING CODE	KIT NO.	SIZE	LIST PRICE
---------------	---------	------	------------

**1st or 2nd Check Kits**

LEAD FREE	7018460	ARK 200B R10 CK4	1/2" - 3/4"	\$ 99.50
	7018461	ARK 200B CK4	1/2"	81.25
	7018462	ARK 200B CK4	3/4"	117.50
	7018463	ARK 200B CK4	1"	121.50
	7018464	ARK 200B CK4	1 1/4" - 1 1/2"	225.00
	7018465	ARK 200B CK4	2"	229.50

Kit includes: Seat, Seat O-Ring, Disc Holder Assembly, Spring, and Cover O-Ring

**Total Rubber Parts Kits**

LEAD FREE	7018466	ARK 200B R10 RT	1/2" - 3/4"	32.25
	7018467	ARK 200B RT	1/2"	25.75
	7018468	ARK 200B RT	3/4"	25.75
	7018469	ARK 200B RT	1"	25.75
	7018470	ARK 200B RT	1 1/4" - 1 1/2"	32.75
	7018471	ARK 200B RT	2"	34.50

Kit includes: Disc Rubber, Seat O-Ring and Two Cover O-Rings

**1st or 2nd Check Seat Kits**

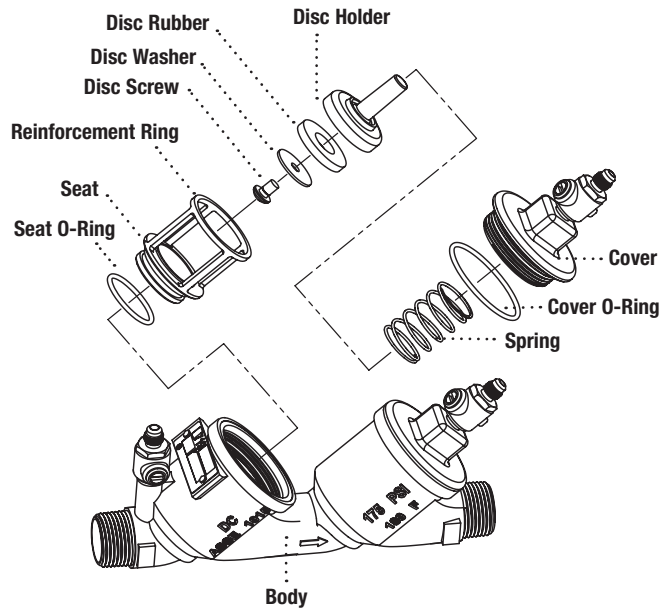
LEAD FREE	7018472	ARK 200B R10 S	1/2" - 3/4"	69.50
	7018473	ARK 200B S	1/2"	63.50
	7018474	ARK 200B S	3/4"	82.75
	7018475	ARK 200B S	1"	85.25
	7018476	ARK 200B S	1 1/4" - 1 1/2"	130.00
	7018477	ARK 200B S	2"	144.00

Kit includes: Seat, Seat O-Ring and Cover O-Ring

**1st or 2nd Check Cover Kits**

LEAD FREE	0425432	LFARK 200B-R10-C	1/2" - 3/4"	160.50
	0425433	LFARK 200B C	1/2"	122.50
	0425434	LFARK 200B C	3/4"	198.00
	0425435	LFARK 200B C	1"	206.50
	0425436	LFARK 200B C	1 1/4" - 1 1/2"	272.00
	0425437	LFARK 200B C	2"	317.50

Kit includes: Cover and Cover O-Ring



ORDERING CODE	KIT NO.	SIZE	LIST PRICE
---------------	---------	------	------------

**1st Check Kits**

LEAD FREE	7016330	ARK 2000B CK4	1/2"	\$ 81.25
	7016331	ARK 2000BM2 CK1	3/4"	45.25
	7016332	ARK 2000BM3 CK1	3/4"	55.50
	7016333	ARK 2000BM2 CK4	1"	121.50
	7016334	ARK 2000BM2 CK1	1 1/4" - 1 1/2"	225.00
	7016335	ARK 2000BM2 CK1	2"	229.50

Kit includes: Seat, Seat O-Ring, Disc Assembly, Spring, Check Cage and Cover O-Ring

**2nd Check Kits**

LEAD FREE	7016330	ARK 2000B CK4	1/2"	81.25
	7016337	ARK 2000BM2 CK2	3/4"	40.25
	7016338	ARK 2000BM3 CK2	3/4"	55.50
	7016333	ARK 2000BM1 CK4	1"	121.50
	7016340	ARK 2000BM2 CK2	1 1/4" - 1 1/2"	225.00
	7016341	ARK 2000BM1 CK2	2"	229.50

Kit includes: Seat, Seat O-Ring, Disc Assembly, Spring, Check Cage and Cover O-Ring

**Cover Kits**

LEAD FREE	0425400	LFARK 2000BC	1/2"	117.00
	0425401	LFARK 2000BM3 C	3/4"	137.00
	0425402	LFARK 2000BM1 C	1"	198.00
	7016346	ARK 2000BM2 C	1 1/4" - 1 1/2"	266.50
	7016347	ARK 2000BM1 C	2"	302.00

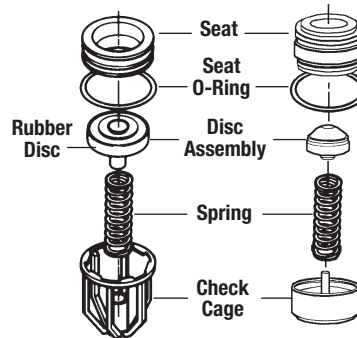
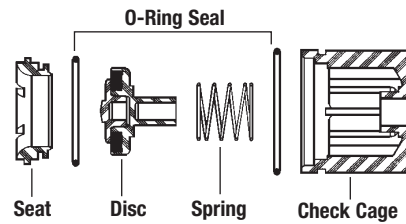
Kit includes: Cover and Cover O-Ring

**Total Rubber Parts Kits**

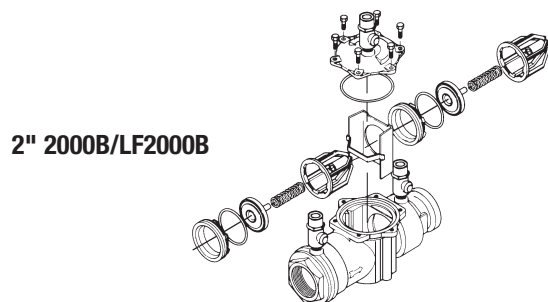
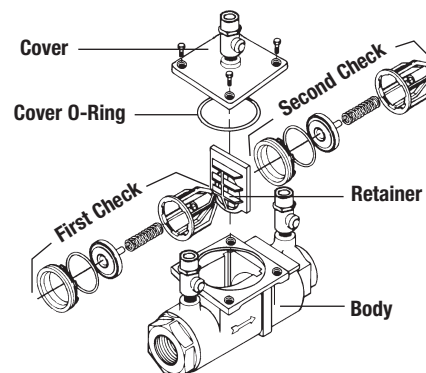
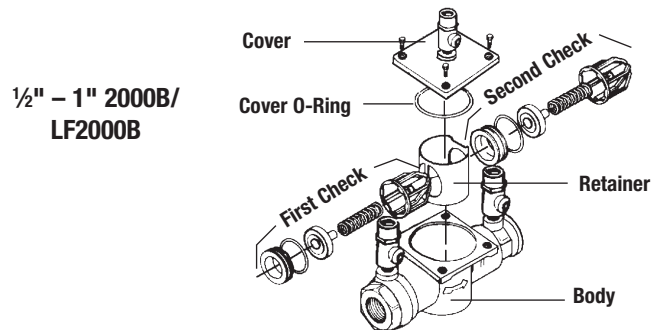
LEAD FREE	7016348	ARK 2000B RT	1/2"	50.25
	7016349	ARK 2000BM2 RT	3/4"	50.25
	7016350	ARK 2000BM3 RT	3/4"	48.25
	7016351	ARK 2000BM1 RT	1"	50.25
	7016352	ARK 2000BM2 RT	1 1/4" - 1 1/2"	69.00
	7016353	ARK 2000BM1 RT	2"	69.00

Kit includes: Two Cover O-Rings, Two Disc Assemblies and Two Seat O-Rings

**Check Assembly 3/4" 2000BM3/LF2000BM3**

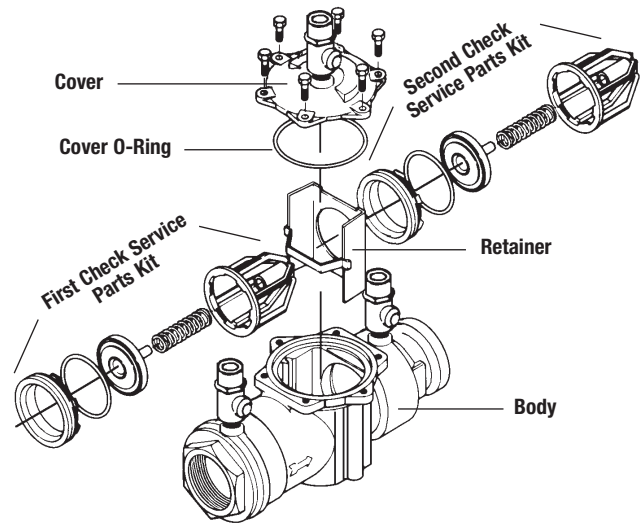
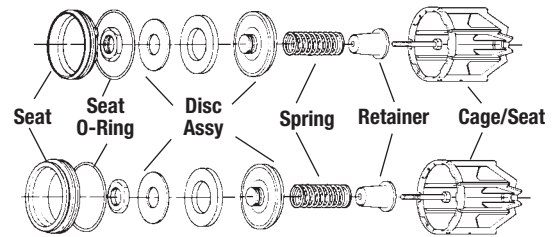


**Note:** Rubber seat disc can be replaced. However, disc holder and disc retainer are permanently bonded to prevent failure.



ORDERING CODE	KIT NO.	SIZE	LIST PRICE
<b>1st Check Kits</b>			
LEAD FREE 7016200	ARK 3000B CK1	2"	\$ 240.50
Kit includes: Seat, Seat O-Ring, Disc Assembly, Spring, Spring Retainer, Check Cage and Cover O-Ring			
<b>2nd Check Kits</b>			
LEAD FREE 7016201	ARK 3000B CK2	2"	218.00
Kit includes: Seat, Seat O-Ring, Disc Assembly, Spring, Spring Retainer, Check Cage and Cover O-Ring			
<b>Total Rubber Parts Kits</b>			
LEAD FREE 7016202	ARK 3000B RT	2"	65.75
Kit includes: Two Seat Discs, Two seat O-Rings, and Cover O-Ring			
<b>Cover Kits</b>			
LEAD FREE 0425411	LFARK 3000BC	2"	277.00
Kit includes: Cover and Cover O-Ring			
<b>Seat Kits</b>			
LEAD FREE 7016204	ARK 3000B S1	2"	181.50
LEAD FREE 7016205	ARK 3000B S2	2"	181.50
Kit includes: Seat, Seat O-Ring and Cover O-Ring			

**Check Assemblies**



	ORDERING CODE	KIT NO.	SIZE	CHECK DISK MATERIAL	LIST PRICE
--	---------------	---------	------	---------------------	------------

### C200, C300 1st Check Kits

LEAD FREE	7010000	ARK C200/C300 CK1	2 1/2" - 4"	Red Silicone	\$ 602.50
	7010001	ARK C200/C300 CK1	6"	Red Silicone	840.00
	7010002	ARK C200/C300 CK1	8"	Red Silicone	1,386.00
	7010003	ARK C200/C300 CK1	10"	Red Silicone	1,942.00

Kit includes: 1st Check Assembly, Check O-Ring and Lube

### C200, C300 2nd Check Kits

LEAD FREE	7010004	ARK C200/C300 CK2	2 1/2" - 4"	Red Silicone	524.50
	7010005	ARK C200/C300 CK2	6"	Red Silicone	815.50
	7010006	ARK C200/C300 CK2	8"	Red Silicone	1,386.00
	7010007	ARK C200/C300 CK2	10"	Red Silicone	1,942.00

Kit includes: 2nd Check Assembly, Check O-Ring and Lube

### C200, C300 Check Rubber Kits

LEAD FREE	7010008	ARK C200/C300 RC4	2 1/2" - 4"	Red Silicone	79.50
	7010009	ARK C200/C300 RC4	6"	Red Silicone	101.50
	7010010	ARK C200/C300 RC4	8"	Red Silicone	142.00
	7010011	ARK C200/C300 RC4	10"	Red Silicone	315.50

Kit includes: Shutoff Disk (1), Check O-Ring (1), E-Clip, Sleeve O-Ring(s) and Lube

### Sleeve Kits

LEAD FREE	7010012	ARK C/M C	2 1/2" - 4"		762.50
	7010013	ARK C/M C	6"		1,023.00
	7010014	ARK C/M C	8"		1,747.00
	7010015	ARK C/M C	10"		2,133.00

Kit includes: Closure Sleeve, Sleeve O-Ring (2) and Lube

### Test Cocks

LEAD FREE	7018152	ARK C/M TC3	1/2"	(2 1/2" - 4")	213.50
	7018153	ARK C/M TC3	3/4"	(6" - 10")	213.50

Sleeve Test Cock #3

### C200a, C300a 1st Check Kits

LEAD FREE	7010016	ARK C200a/C300a CK1	2 1/2" - 4"	EPDM	602.50
	7010017	ARK C200a/C300a CK1	6"	EPDM	840.00

Kit includes: 1st Check Assembly, Check O-Ring and Lube

### C200a, C300a 2nd Check Kits

LEAD FREE	7010018	ARK C200a/C300a CK2	2 1/2" - 4"	EPDM	524.50
	7010019	ARK C200a/C300a CK2	6"	EPDM	815.50

Kit includes: 2nd Check Assembly, Check O-Ring and Lube

### C200a, C300a Check Rubber Kits

LEAD FREE	7010020	ARK C200a/C300a RC4	2 1/2" - 4"	EPDM	79.50
	7010021	ARK C200a/C300a RC4	6"	EPDM	101.50

Kit includes: Shutoff Disk (1), Check O-Ring (1), E-Clip, Sleeve O-Ring(s) and Lube

### Sleeve Kits

LEAD FREE	7010012	ARK C/M C	2 1/2" - 4"		762.50
	7010013	ARK C/M C	6"		1,023.00

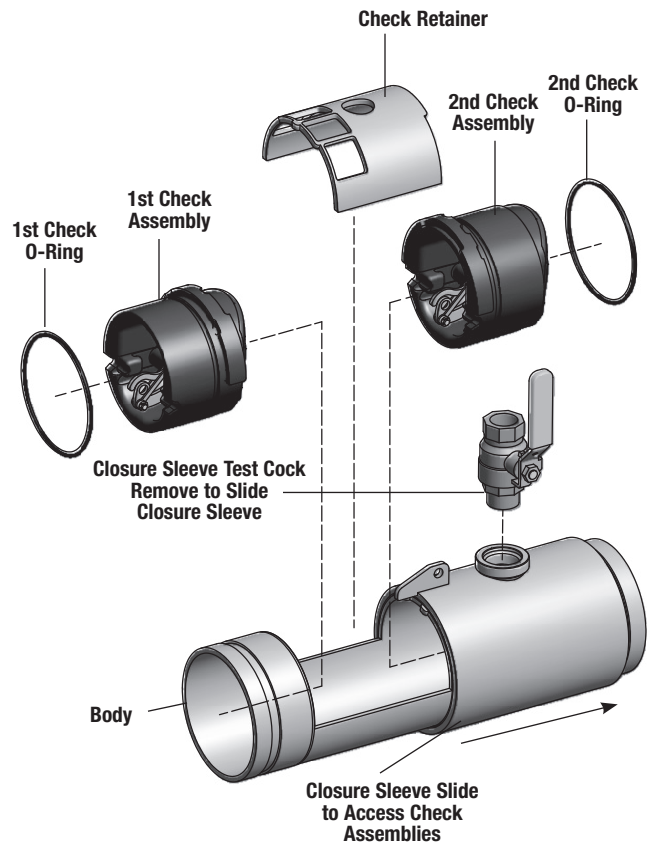
Kit includes: Closure Sleeve, Sleeve O-Ring (2) and Lube

### Test Cocks

LEAD FREE	7018152	ARK C/M TC3	1/2"	(2 1/2" - 4")	213.50
	7018153	ARK C/M TC3	3/4"	(6" - 10")	213.50

Sleeve Test Cock #3

### 2½" – 10" C200/C300





## Series M200 Double Check Valve Assembly 2½" – 10" Series M300/LFM300 Double Check Detector Assembly 2½" – 10"

	ORDERING CODE	KIT NO.	SIZE	CHECK DISK MATERIAL	LIST PRICE
--	---------------	---------	------	---------------------	------------

### M200, M300 1st Check Kits

LEAD FREE	7010048	ARK M200/M300 CK1	2 1/2" - 3"	Red Silicone	\$ 602.50
	7010049	ARK M200/M300 CK1	4"	Red Silicone	840.00
	7010050	ARK M200/M300 CK1	6"	Red Silicone	1,386.00
	7010051	ARK M200/M300 CK1	8" - 10"	Red Silicone	1,942.00

Kit includes: 1st Check Assembly, Check O-Ring and Lube

### M200, M300 2nd Check Kits

LEAD FREE	7010052	ARK M200/M300 CK2	2 1/2" - 3"	Red Silicone	524.50
	7010053	ARK M200/M300 CK2	4"	Red Silicone	815.50
	7010054	ARK M200/M300 CK2	6"	Red Silicone	1,385.00
	7010055	ARK M200/M300 CK2	8" - 10"	Red Silicone	1,942.00

Kit includes: 2nd Check Assembly, Check O-Ring and Lube

### M200, M300 Check Rubber Kits

LEAD FREE	7010056	ARK M200/M300 RC4	2 1/2" - 3"	Red Silicone	79.50
	7010057	ARK M200/M300 RC4	4"	Red Silicone	101.50
	7010058	ARK M200/M300 RC4	6"	Red Silicone	142.00
	7010059	ARK M200/M300 RC4	8" - 10"	Red Silicone	315.50

Kit includes: Shutoff Disk (1), Check O-Ring (1), E-Clip, Sleeve O-Ring(s) and Lube

### Sleeve Kits

LEAD FREE	7010012	ARK C/M C	2 1/2" - 3"		762.50
	7010013	ARK C/M C	4"		1,023.00
	7010014	ARK C/M C	6"		1,747.00
	7010015	ARK C/M C	8" - 10"		2,133.00

Kit includes: Closure Sleeve, Sleeve O-Ring (2) and Lube

### Test Cocks

LEAD FREE	7018152	ARK C/M TC3	1/2"	(2 1/2" - 3")	213.50
	7018153	ARK C/M TC3	3/4"	(4" - 10")	213.50

Sleeve Test Cock #3

### M200a, M300a 1st Check Kits

LEAD FREE	7010060	ARK M200a/M300a CK1	2 1/2" - 3"	EPDM	602.50
	7010061	ARK M200a/M300a CK1	4"	EPDM	840.00

Kit includes: 1st Check Assembly, Check O-Ring and Lube

### M200a, M300a 2nd Check Kits

LEAD FREE	7010062	ARK M200a/M300a CK2	2 1/2" - 3"	EPDM	524.50
	7010063	ARK M200a/M300a CK2	4"	EPDM	815.50

Kit includes: 2nd Check Assembly, Check O-Ring and Lube

### M200a, M300a Check Rubber Kits

LEAD FREE	7010064	ARK M200a/M300a RC4	2 1/2" - 3"	EPDM	79.50
	7010065	ARK M200a/M300a RC4	4"	EPDM	101.50

Kit includes: Shutoff Disk (1), Check O-Ring (1), E-Clip, Sleeve O-Ring(s) and Lube

### Sleeve Kits

LEAD FREE	7010012	ARK C/M C	2 1/2" - 3"		762.50
	7010013	ARK C/M C	4"		1,023.00
	7010014	ARK C/M C	6"		1,747.00
	7010015	ARK C/M C	8" - 10"		2,133.00

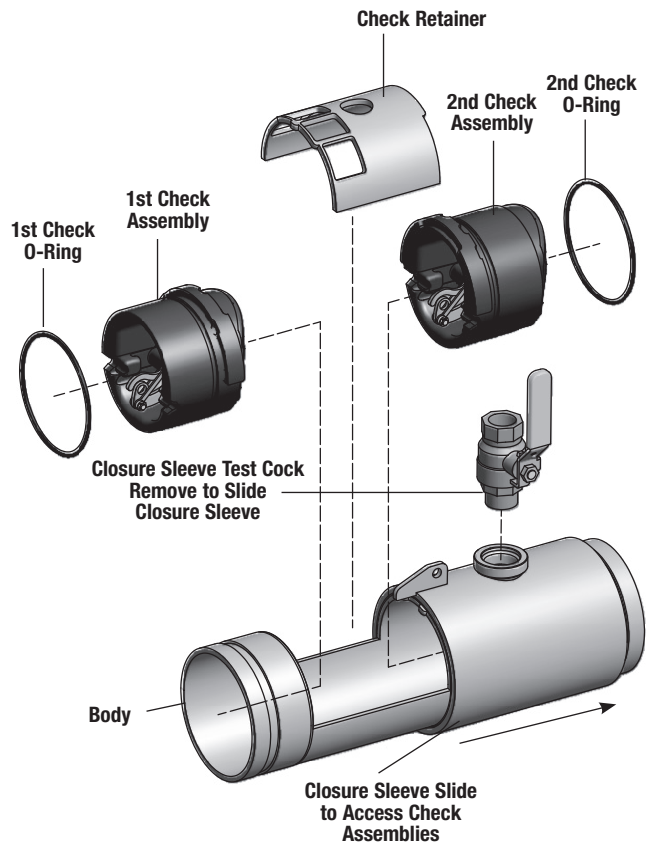
Kit includes: Closure Sleeve, Sleeve O-Ring (2) and Lube

### Test Cocks

LEAD FREE	7018152	ARK C/M TC3	1/2"	(2 1/2" - 3")	213.50
	7018153	ARK C/M TC3	3/4"	(4" - 10")	213.50

Sleeve Test Cock #3

### 2½" – 10" M200/M300



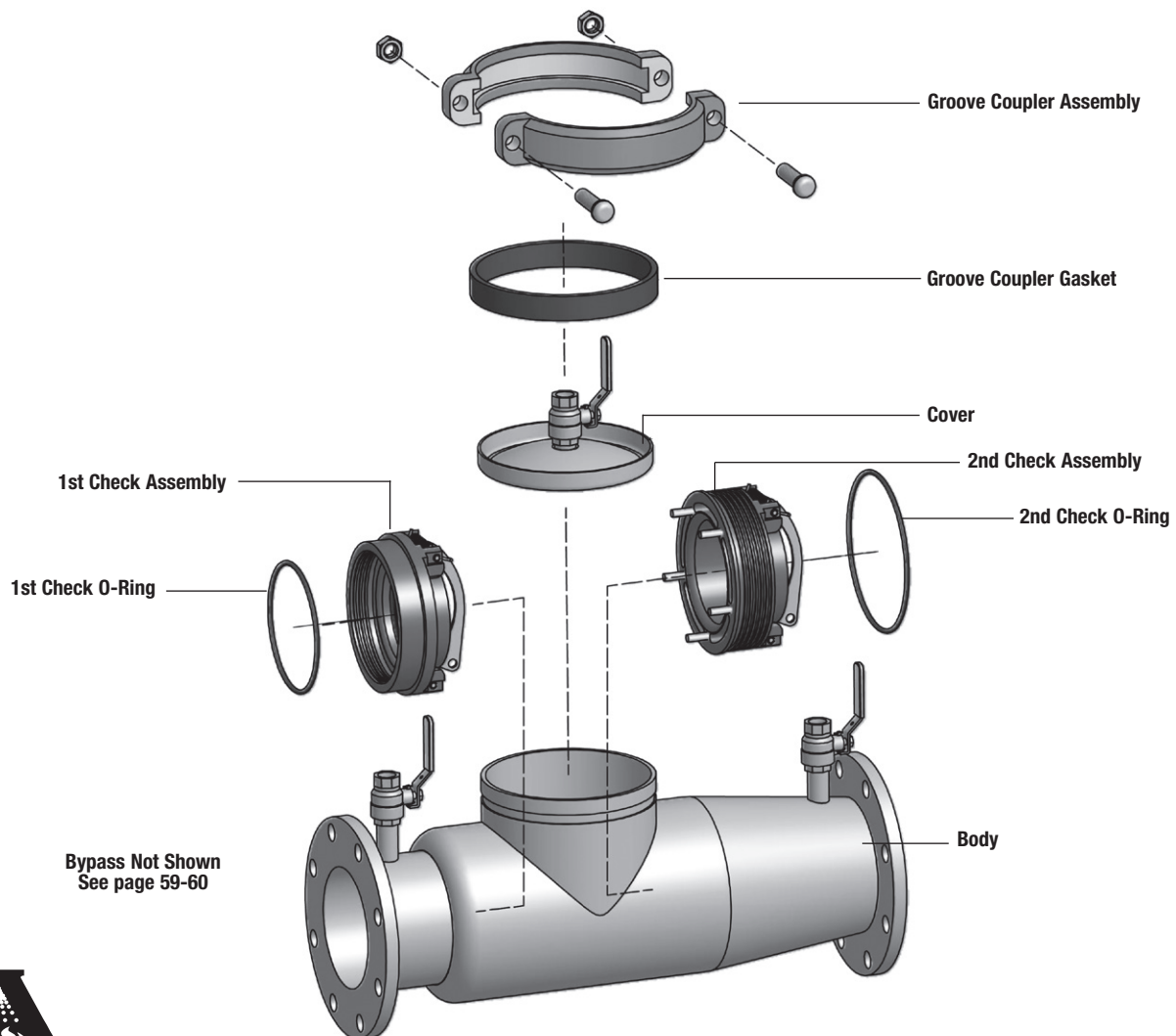
# Repair Parts

## Series 2000SS/2000SE Double Check Valve Assembly 2½" – 6", 6" & 8" Series 3000SS/3000SE Double Check Detector Assembly 2½" – 6", 6" & 8"

ORDERING CODE	KIT NO.	SIZE	LIST PRICE
<b>2000SE, 3000SE 1st Check Kits</b>			
LEAD FREE 7010103	ARK 2000SE/3000SE CK1	6"	\$ 574.00
7010104	ARK 2000SE/3000SE CK1	8"	611.50
Kit includes: 1st Check Assembly, Check O-Ring and Lube			
<b>2000SE, 3000SE 2nd Check Kits</b>			
LEAD FREE 7010105	ARK 2000SE/3000SE CK2	6"	574.00
7010106	ARK 2000SE/3000SE CK2	8"	611.50
Kit includes: 2nd Check Assembly, Check O-Ring and Lube			
<b>Cover Kits</b>			
LEAD FREE 7010092	ARK SE C	6"	975.50
7010093	ARK SE/SS C	8"	1,199.00
Kit includes: Cover, Groove Coupler and Gasket			

ORDERING CODE	KIT NO.	SIZE	LIST PRICE
<b>2000SS, 3000SS 1st Check Kits</b>			
LEAD FREE 7010097	ARK 2000SS/3000SS CK1	2 1/2" - 4"	\$ 574.00
7010098	ARK 2000SS/3000SS CK1	6"	611.50
Kit includes: 1st Check Assembly, Check O-Ring and Lube			
<b>2000SS, 3000SS 2nd Check Kits</b>			
LEAD FREE 7010100	ARK 2000SS/3000SS CK2	2 1/2" - 4"	574.00
7010101	ARK 2000SS/3000SS CK2	6"	611.50
Kit includes: 2nd Check Assembly, Check O-Ring and Lube			
<b>Cover Kits</b>			
LEAD FREE 7010090	ARK SS C	2 1/2" - 4"	551.00
7010091	ARK SS C	6"	780.50
Kit includes: Cover, Groove Coupler and Gasket			

### 2½" THROUGH 6" 2000SS/3000SS 6" & 8" 2000SE/3000SE

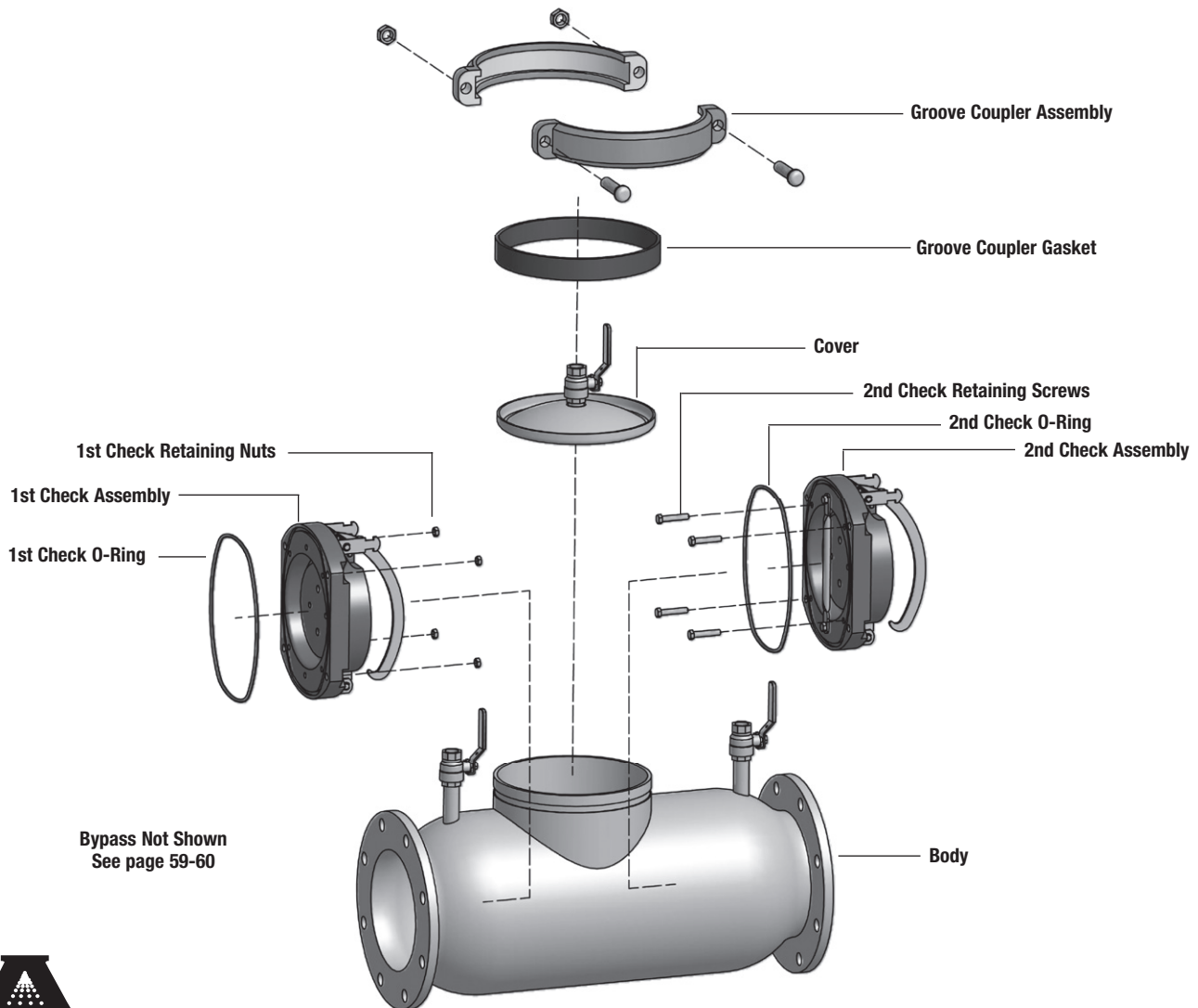


# Repair Parts

## Series 2000SS Double Check Valve Assembly 8" – 12" Series 3000SS Double Check Detector Assembly 8" – 12"

ORDERING CODE	KIT NO.	SIZE	LIST PRICE
<b>2000SS, 3000SS 1st Check Kit</b>			
LEAD FREE 7010099	ARK 2000SS/3000SS CK1	8" - 12"	\$ 1,759.00
Kit includes: 1st Check Assembly, Check O-Ring, Retaining Nuts (4), and Lube			
<b>2000SS, 3000SS 2nd Check Kit</b>			
LEAD FREE 7010102	ARK 2000SS/3000SS CK2	8" - 12"	1,759.00
Kit includes: 2nd Check Assembly, Check O-Ring, Retaining Screws (4) and Lube			
<b>Cover Kit</b>			
LEAD FREE 7010093	ARK SE/SS C	8" - 12"	1,199.00
Kit includes: Cover, Groove Coupler and Gasket			

### 8" THROUGH 12" 2000SS/3000SS



\*The wetted surface of this product contacted by consumable water contains less than 0.25% of lead by weight.

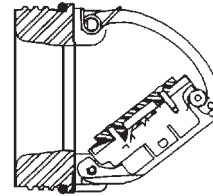
# Repair Parts

## Series 2001SS Double Check Valve Assembly 2½" – 8" Series 3001SS Double Check Detector Assembly 2½" – 8"

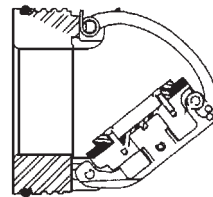
ORDERING CODE	KIT NO.	SIZE	LIST PRICE
<b>2001SS, 3001SS 1st Check Kits</b>			
LEAD FREE 7010118	ARK 2001SS/3001SS CK1	2 1/2" - 4"	\$ 949.50
7010119	ARK 2001SS/3001SS CK1	6" - 8"	1,174.00
Kit includes: 1st Check Assembly, Check O-Ring and Lube			
<b>2001SS, 3001SS 2nd Check Kits</b>			
LEAD FREE 7010120	ARK 2001SS/3001SS CK2	2 1/2" - 4"	1,108.00
7010121	ARK 2001SS/3001SS CK2	6" - 8"	1,491.00
Kit includes: 2nd Check Assembly, Check O-Ring and Lube			
<b>1st Check Rubber Part Kits</b>			
LEAD FREE 7010122	ARK 2001SS/3001SS RC1	2 1/2" - 4"	41.25
7010123	ARK 2001SS/3001SS RC1	6" - 8"	57.75
Kit includes: Check Disc and Check O-Ring, C-Clips(2) and Lube			
<b>2nd Check Rubber Part Kits</b>			
LEAD FREE 7010124	ARK 2001SS/3001SS RC2	2 1/2" - 4"	63.00
7010125	ARK 2001SS/3001SS RC2	6" - 8"	90.50
Kit includes: Check Disc and Check O-Ring, C-Clips(2) and Lube			
<b>Total Rubber Parts Kits</b>			
LEAD FREE 7010126	ARK 2001SS/3001SS RT	2 1/2" - 4"	90.75
7010127	ARK 2001SS/3001SS RT	6" - 8"	102.50
Kit includes: Check Disc (2) and Check O-Ring (2)			
<b>Cover Kits</b>			
LEAD FREE 7010090	ARK SS C	2 1/2" - 4"	551.00
7010091	ARK SS C	6" - 8"	780.50

Kit includes: Cover, Groove Coupler, and Gasket

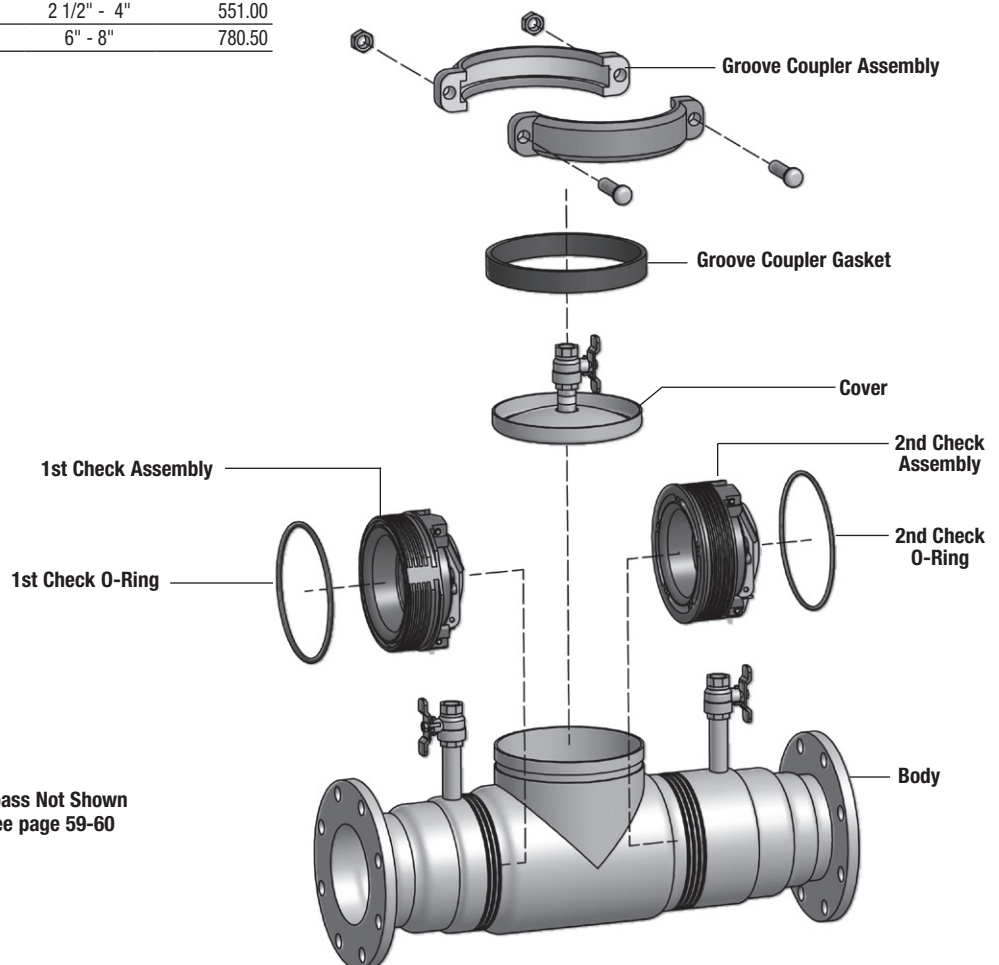
**No. 1 Check Assembly**



**No. 2 Check Assembly**



**3" – 8" 2001SS/3001SS**

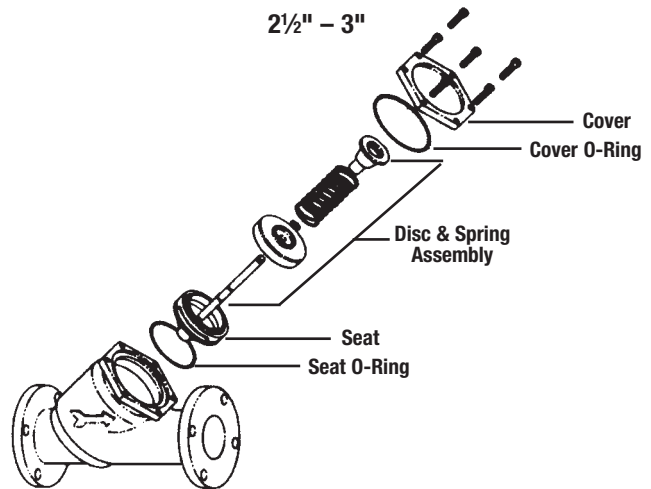
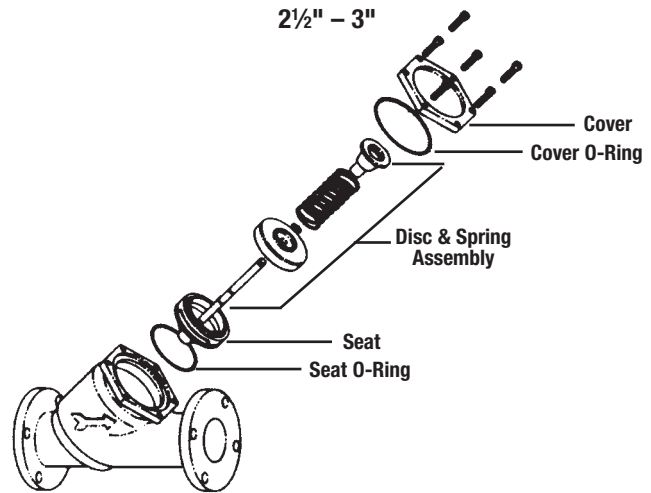


\*The wetted surface of this product contacted by consumable water contains less than 0.25% of lead by weight.

## Repair Parts

# Series 2000CIV Double Check Valve Assembly 2½" – 3" Series 3000CIV Double Check Detector Assembly 2½" – 3"

	ORDERING CODE	KIT NO.	SIZE	LIST PRICE
<b>2000CIV 1st or 2nd Check Kit</b>				
LEAD FREE	0425406	LFARK 2000CIV CK4	2 1/2", 3"	\$ 894.00
Kit includes: Disc & Spring Assembly and Cover O-Ring				
<b>Check Rubber Kit (for one 2000CIV check)</b>				
LEAD FREE	7016305	ARK 2000CIV RC4	2 1/2", 3"	142.50
Kit includes; Seat Discs, Seat O-Ring and Cover O-Ring				
<b>2000CIV Seat Kit</b>				
LEAD FREE	0425409	LFARK 2000CIV S	2 1/2", 3"	359.50
Kit includes: Seat, Seat O-Ring				
<b>2000CIV Total Rubber Parts Kit</b>				
LEAD FREE	7016310	ARK 2000CIV RT	2 1/2", 3"	287.00
Kit includes: Two Discs, Two Cover O-Rings				
<b>2000CIV Cover Kit</b>				
LEAD FREE	7016320	ARK 2000CIV C	2 1/2", 3"	493.50
Kit includes: Cover, Cover O-Ring				
<b>3000CIV 1st Check Kit</b>				
LEAD FREE	0425407	LFARK 3000CIV CK1	2 1/2", 3"	1,147.00
Kit includes: Disc Assembly, Spring Assembly and Cover O-Ring				
<b>3000CIV 2nd Check Kit</b>				
LEAD FREE	0425408	LFARK 3000CIV CK2	2 1/2", 3"	898.00
Kit includes: Disc Assembly, Spring Assembly and Cover O-Ring				
<b>3000CIV Seat Kit</b>				
LEAD FREE	7016615	ARK 3000CIV S	2 1/2", 3"	310.50
Kit includes: Seat, Seat O-Ring				
<b>3000CIV Total Rubber Parts Kit</b>				
LEAD FREE	7016610	ARK 3000CIV RC4	2 1/2", 3"	142.50
Kit includes: Two Seat Discs, Two Seat O-Rings, Two Cover O-Rings				
<b>3000CIV Cover Kit</b>				
LEAD FREE	7016620	ARK 3000CIV C	2 1/2", 3"	502.00
Kit includes: Cover, Cover O-Ring				



# Repair Parts

## Series 2000CIV Double Check Valve Assembly 4" – 10" Series 3000CIV Double Check Detector Assembly 4" – 10"

	ORDERING CODE	KIT NO.	SIZE	LIST PRICE
<b>2000CIV 1st or 2nd Check Kits</b>				
LEAD FREE	0425412	LFARK 2000CIV CK4	4"	\$ 1,458.00
	0425413	LFARK 2000CIV CK4	6"	2,516.00
	0425414	LFARK 2000CIV CK4	8"	4,605.00
	0425415	LFARK 2000CIV CK4	10"	6,196.00

Kit includes: Disc & Spring Assembly and Cover O-Ring

	ORDERING CODE	KIT NO.	SIZE	LIST PRICE
<b>Check Rubber Parts Kits (for one 2000CIV check)</b>				
LEAD FREE	7016306	ARK 2000CIV RC4	4"	191.50
	7016307	ARK 2000CIV RC4	6"	218.00
	7016308	ARK 2000CIV RC4	8"	262.50
	7016309	ARK 2000CIV RC4	10"	358.00

Kit includes: Disc and Cover O-Ring

	ORDERING CODE	KIT NO.	SIZE	LIST PRICE
<b>2000CIV Total Rubber Parts Kits</b>				
LEAD FREE	7016311	ARK 2000CIV RT	4"	379.50
	7016312	ARK 2000CIV RT	6"	433.50
	7016313	ARK 2000CIV RT	8"	523.00
	7016314	ARK 2000CIV RT	10"	714.50

Kit includes: Two Discs and Two Cover O-Rings

	ORDERING CODE	KIT NO.	SIZE	LIST PRICE
<b>2000CIV Seat Kits</b>				
LEAD FREE	0425424	LFARK 2000CIV S	4"	526.50
	0425425	LFARK 2000CIV S	6"	904.50
	0425426	LFARK 2000CIV S	8"	2,160.00
	0425427	LFARK 2000CIV S	10"	2,524.00

Kit includes: Seat, Seat O-Ring, Retainer Wire and Cover O-Ring

	ORDERING CODE	KIT NO.	SIZE	LIST PRICE
<b>2000CIV Cover Kits</b>				
LEAD FREE	7016321	ARK 2000CIV C	4"	552.00
	7016322	ARK 2000CIV C	6"	769.50
	7016323	ARK 2000CIV C	8"	1,261.00
	7016324	ARK 2000CIV C	10"	2,825.00

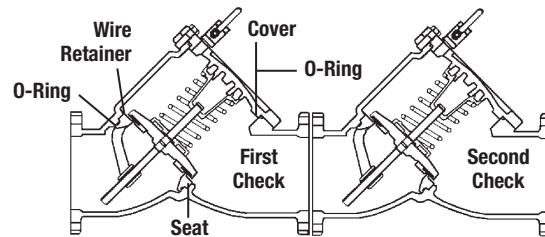
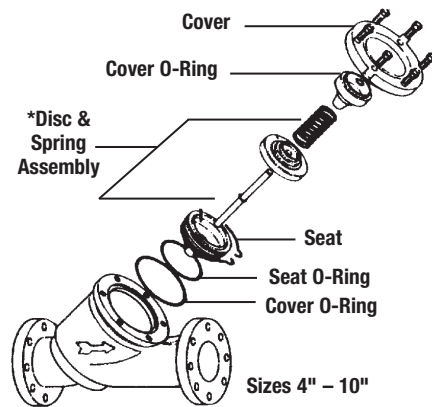
Kit includes: Cover and Cover O-Ring

	ORDERING CODE	KIT NO.	SIZE	LIST PRICE
<b>3000CIV 1st Check Kits</b>				
LEAD FREE	0425416	LFARK 3000CIVCK1	4"	1,595.00
	0425417	LFARK 3000CIVCK1	6"	2,875.00
	0425418	LFARK 3000CIVCK1	8"	5,197.00
	0425419	LFARK 3000CIVCK1	10"	7,711.00

Kit includes: Disc Assembly, Spring Assembly and Cover O-Ring

	ORDERING CODE	KIT NO.	SIZE	LIST PRICE
<b>3000CIV 2nd Check Kits</b>				
LEAD FREE	0425420	LFARK 3000CIVCK2	4"	1,458.00
	0425421	LFARK 3000CIVCK2	6"	2,516.00
	0425422	LFARK 3000CIVCK2	8"	4,605.00
	0425423	LFARK 3000CIVCK2	10"	6,196.00

Kit includes: Disc Assembly, Spring Assembly and Cover O-Ring



	ORDERING CODE	KIT NO.	SIZE	LIST PRICE
<b>Rubber Parts Kits (for one 3000CIV check)</b>				
LEAD FREE	7016611	ARK 3000CIV RC4	4"	\$ 191.50
	7016612	ARK 3000CIV RC4	6"	218.00
	7016613	ARK 3000CIV RC4	8"	262.50
	7016614	ARK 3000CIV RC4	10"	358.00

Kit includes: Disc and Cover O-Ring

	ORDERING CODE	KIT NO.	SIZE	LIST PRICE
<b>3000CIV Seat Kits</b>				
LEAD FREE	0425428	LFARK 3000CIVS	4"	526.50
	0425429	LFARK 3000CIVS	6"	904.50
	0425430	LFARK 3000CIVS	8"	2,160.00
	0425431	LFARK 3000CIVS	10"	2,524.00

Kit includes: Seat, Seat O-Ring, Retainer Wire and Cover O-Ring

	ORDERING CODE	KIT NO.	SIZE	LIST PRICE
<b>3000CIV Cover Kits</b>				
LEAD FREE	7016621	ARK 3000CIV C	4"	563.00
	7016622	ARK 3000CIV C	6"	783.50
	7016623	ARK 3000CIV C	8"	1,286.00
	7016624	ARK 3000CIV C	10"	2,882.00

Kit includes: Cover and Cover O-Ring



# Repair Parts

## Series 2000DCA Double Check Valve Assembly 4" – 10" Series 3000DCDA Double Check Detector Assembly 4" – 10"

ORDERING CODE	KIT NO.	SIZE	LIST PRICE
---------------	---------	------	------------

### 2000DCA, 3000DCDA 1st or 2nd Check Kits

LEAD FREE	7010154	ARK 2000DCA CK4	4"	\$ 909.50
	7010155	ARK 2000DCA CK4	6"	954.00
	7010156	ARK 2000DCA CK4	8"	1,358.00
	7010157	ARK 2000DCA/3000DCDA CK4	10"	1,980.00
	7010158	ARK 3000DCA CK4	4"	958.50
	7010159	ARK 3000DCA CK4	6"	1,083.00
	7010160	ARK 3000DCA CK4	8"	1,499.00

Kit includes: Check Assembly (1) and Check Mounting Hardware

### Cover Kits

LEAD FREE	7010142	ARK EPOXY C	4"	696.50
	7010143	ARK EPOXY C	6"	1,023.00
	7010144	ARK EPOXY C	8" - 10"	1,457.00

Kit includes: Cover, Cover Gasket and Vent Screw

ORDERING CODE	KIT NO.	SIZE	LIST PRICE
---------------	---------	------	------------

### Seat Kits

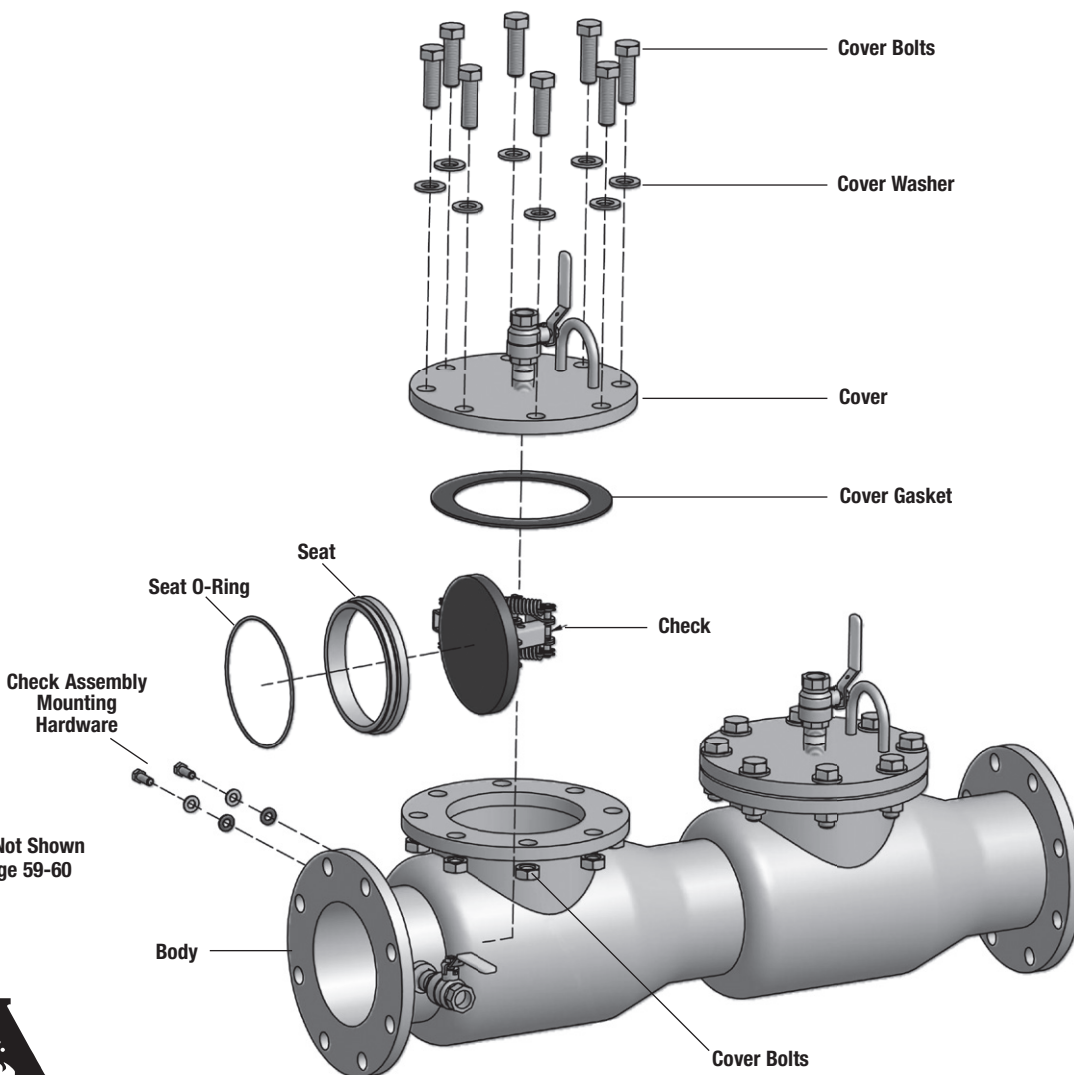
7010145	ARK EPOXY S	4"	\$ 341.50
7010146	ARK EPOXY S	6"	512.00
7010147	ARK EPOXY S	8" - 10"	742.00

Kit includes: Seat, Seat O-Ring and Cover Gasket

### Tools

7013911	RETAINER CLIP	4"	165.00
7013912	RETAINER CLIP	6"	269.00
7013913	RETAINER CLIP	8" - 10"	208.50
7013941	SEAT INSTALL-REMOVAL TOOL	4"	1,991.00
7013946	SEAT INSTALL-REMOVAL TOOL	6"	2,423.00
7013950	SEAT INSTALL-REMOVAL TOOL	8" - 10"	2,394.00

### 4" – 10" 2000DCA/3000DCDA





# Repair Parts

## Series 2000DC Double Check Valve Assembly 4" – 10" Series 3000DCDC Double Check Detector Assembly 4" – 10"

ORDERING CODE	KIT NO.	SIZE	LIST PRICE
---------------	---------	------	------------

### 2000DC, 3000DCDC Check Kits

7010153	ARK 2000DC/3000DCDC CK4	8" - 10"	\$ 1,980.00
---------	-------------------------	----------	-------------

Kit includes: Check Assembly, Bonnet Gasket and Check Mounting Hardware

### Cover Kits

7010142	ARK EPOXY C	4"	696.50
7010143	ARK EPOXY C	6"	1,023.00
7010144	ARK EPOXY C	8" - 10"	1,457.00

Kit includes: Cover, Cover Gasket, Vent Screw

ORDERING CODE	KIT NO.	SIZE	LIST PRICE
---------------	---------	------	------------

### Seat Kits

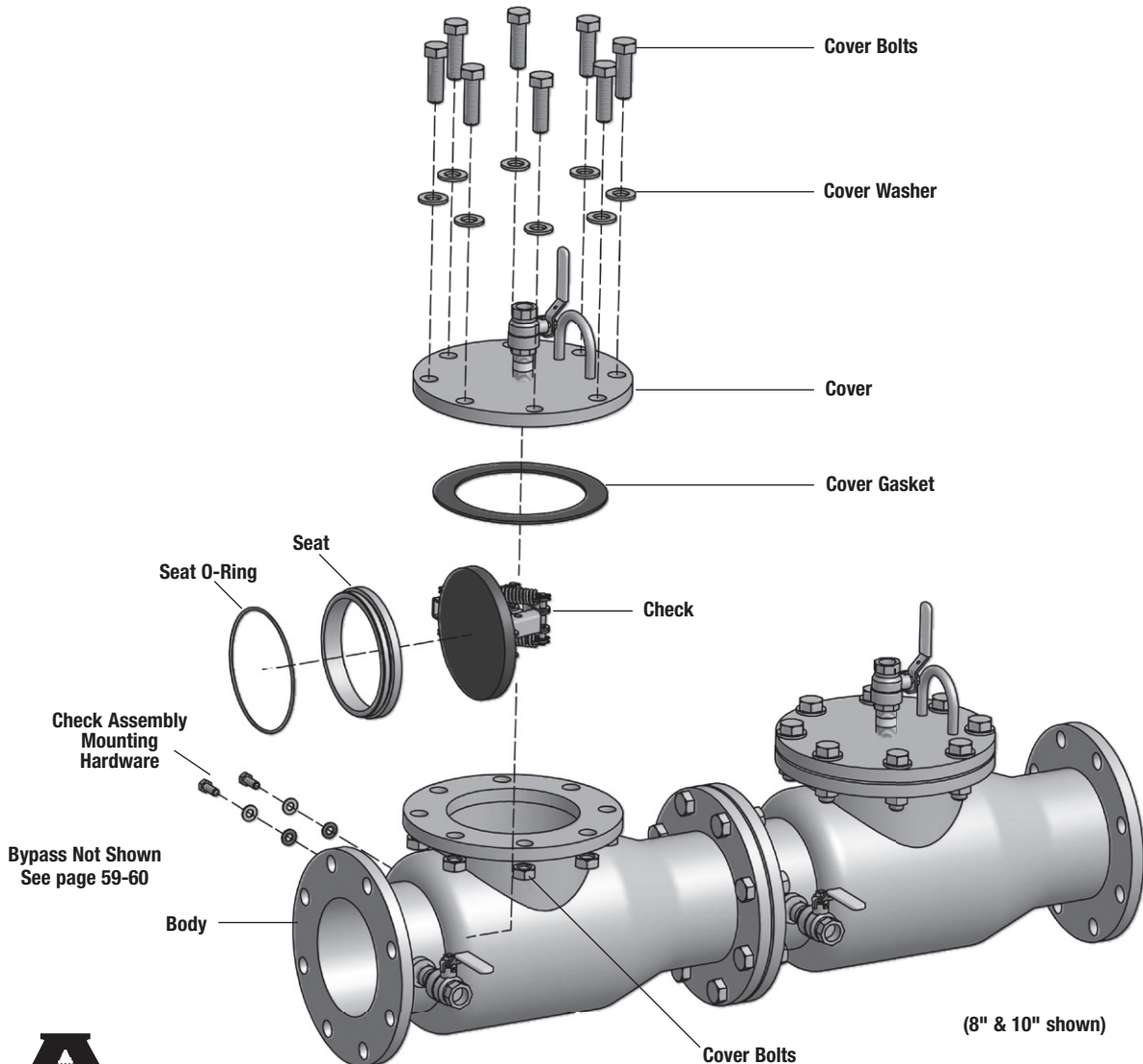
7010145	ARK EPOXY S	4"	\$ 341.50
7010146	ARK EPOXY S	6"	512.00
7010147	ARK EPOXY S	8" - 10"	742.00

Kit includes: Seat, Seat O-Ring and Cover Gasket

### Tools

7013911	RETAINER CLIP	4"	165.00
7013912	RETAINER CLIP	6"	269.00
7013913	RETAINER CLIP	8" - 10"	208.50
7013941	SEAT INSTALL-REMOVAL TOOL	4"	1,991.00
7013946	SEAT INSTALL-REMOVAL TOOL	6"	2,423.00
7013950	SEAT INSTALL-REMOVAL TOOL	8" - 10"	2,394.00
7016090	TONG TOOL		392.00

### 4" – 10" 2000DC/3000DCDC



ORDERING CODE	KIT NO.	SIZE	LIST PRICE
---------------	---------	------	------------

### 1st Check Kits

LEAD FREE	7018486	ARK 400B CK1	3/4"	129.00
	7018488	ARK 400B CK1	1 1/4" - 1 1/2"	236.00
	7018489	ARK 400B CK1	2"	252.50

Kit includes: Check Assembly, Seat, Seat O-Ring, Spring and Cover O-Ring

### 2nd Check Kits

LEAD FREE	7018491	ARK 400B CK2	3/4"	117.50
	7018492	ARK 400B CK2	1"	117.50
	7018493	ARK 400B CK2	1 1/4" - 1 1/2"	220.50
	7018494	ARK 400B CK2	2"	225.00

Kit includes: Check Assembly, Seat, Seat O-Ring, Spring and Cover O-Ring

### 1st or 2nd Check Rubber Parts Kits

LEAD FREE	7018496	ARK 400B RC4	3/4"	25.75
	7018497	ARK 400B RC4	1"	25.75
	7018498	ARK 400B RC4	1 1/4" - 1 1/2"	32.75
	7018499	ARK 400B RC4	2"	34.50

Kit includes: Disc, Seat O-Ring and Cover O-Ring

### Seat Kits

LEAD FREE	7018501	ARK 400B S	3/4"	82.75
	7018502	ARK 400B S	1"	85.25
	7018503	ARK 400B S	1 1/4" - 1 1/2"	130.00
	7018504	ARK 400B S	2"	144.00

Kit includes: Seat, Seat O-Ring and Cover O-Ring

### Total Rubber Parts Kits

LEAD FREE	7018506	ARK 400B RT	3/4"	138.00
	7018507	ARK 400B RT	1"	144.00
	7018508	ARK 400B RT	1 1/4" - 1 1/2"	174.00
	7018509	ARK 400B RT	2"	181.50

Kit includes: 2 Check Discs, 2 Check Seat O-Rings, 2 Check Cover O-Rings, RV Disc, RV O-Ring, and RV Cover O-Ring, RV Diaphragm

### Cover Kits

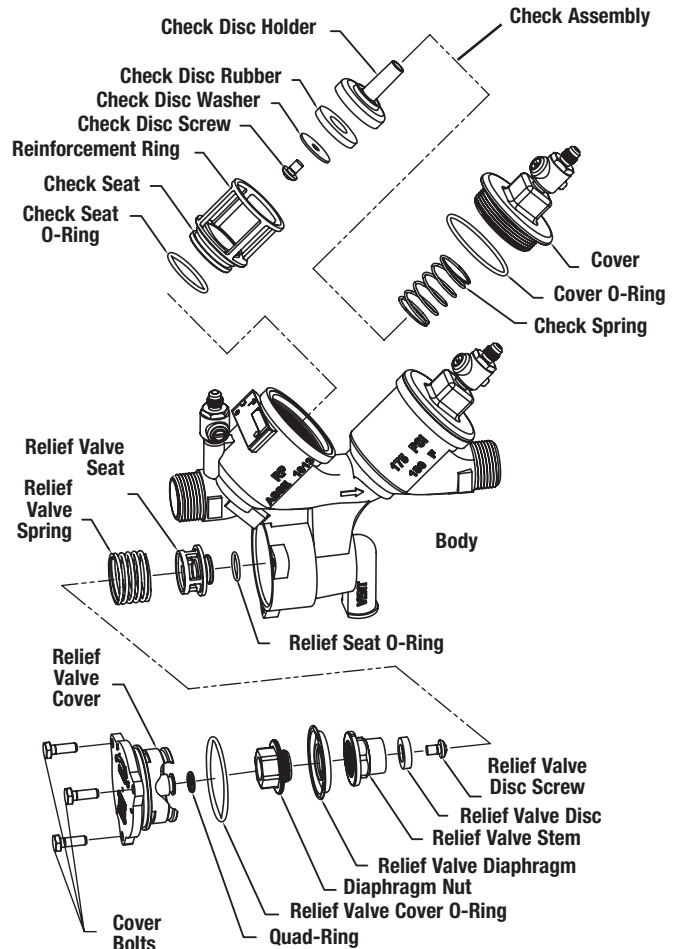
LEAD FREE	0425499	LFARK 400B C	1/4" - 1/2"	118.50
	0425500	LFARK 400B C	3/4"	198.00
	0425501	LFARK 400B C	1"	198.00
	0425502	LFARK 400B C	1 1/4" - 1 1/2"	264.50
	0425503	LFARK 400B C	2"	299.00

Kit includes: Cover and Cover O-Ring

### Total Relief Valve Kits

LEAD FREE	7018517	ARK 400B VT	1 1/4" - 2"	440.50
-----------	---------	-------------	-------------	--------

Kit includes: Relief Valve Assembly, RV Spring and RV Cover O-Ring



Note: For 1/2" and 3/4" 400B R10 models, use 1" repair kits.  
For 1 1/4" 400B R15 models, use 1 1/4" - 1 1/2" repair kits.

ORDERING CODE	KIT NO.	SIZE	LIST PRICE
---------------	---------	------	------------

### Relief Valve Rubber Parts Kits

LEAD FREE	7018519	ARK 400B RV	3/4" - 1"	95.75
	7018520	ARK 400B RV	1 1/4" - 2"	108.50

Kit includes: Relief Valve Disc, RV Diaphragm, RV Seat O-Ring and Cover O-Ring

### Relief Valve Seat Kits

LEAD FREE	7018522	ARK 400B SV	3/4" - 1"	28.75
	7018523	ARK 400B SV	1 1/4" - 2"	22.00

Kit includes: Relief Valve Seat, RV Seat O-Ring and RV Cover O-Ring

### Relief Valve Cover Kits

LEAD FREE	0425496	LFARK 400B VC	1/4" - 1/2"	170.50
	0425497	LFARK 400B VC	3/4" - 1"	164.00
	0425498	LFARK 400B VC	1 1/4" - 2"	170.50

Kit includes: Relief Valve Cover and RV Cover O-Ring

ORDERING CODE	KIT NO.	SIZE	LIST PRICE
<b>1st Check Kits</b>			
7016635	ARK 4000B CK1	1/2"	\$ 81.75
7016636	ARK 4000BM2 CK1	3/4"	68.75
7016637	ARK 4000BM3 CK1	3/4"	68.75
7016638	ARK 4000B CK1	1"	125.00
7018650	ARK 4000BM2 CK1	1"	125.00
7016639	ARK 4000B CK1	1 1/4" - 1 1/2"	238.00
7016640	ARK 4000B CK1	2"	252.50

Kit includes: Check Assembly and Cover O-Ring

**2nd Check Kits**

7016641	ARK 4000B CK2	1/2"	80.00
7016642	ARK 4000BM2 CK2	3/4"	56.75
7016643	ARK 4000BM3 CK2	3/4"	56.75
7016644	ARK 4000B CK2	1"	113.50
7018651	ARK 4000BM2 CK2	1"	113.50
7016645	ARK 4000B CK2	1 1/4" - 1 1/2"	220.50
7016646	ARK 4000B CK2	2"	225.00

Kit Includes: Check Assembly and Cover O-Ring

**1st and 2nd Check Rubber Parts Kits**

7016647	ARK 4000B RC3	1/2"	49.00
7016648	ARK 4000BM2 RC3	3/4"	46.75

**1st Check Rubber Parts Kits**

7016650	ARK 4000B RC1	1"	25.75
7018652	ARK 4000BM2 RC1	1"	25.75
7016652	ARK 4000BM2 RC1	1 1/4" - 1 1/2"	50.75
7016653	ARK 4000BM2 RC1	2"	53.75

Kit Includes: Disc, Cover O-Ring and Seat O-Ring

**2nd Check Rubber Parts Kits**

7016651	ARK 4000B RC2	1"	25.00
7018653	ARK 4000BM2 RC2	1"	25.00
7016659	ARK 4000B RC2	1 1/4" - 1 1/2"	50.75
7016660	ARK 4000B RC2	2"	53.75

Kit Includes: Second Check Assembly O-Ring, Disc Holder Assembly, Cover O-Ring, and Sensing Passage O-Ring

**Check Retainers**

7016654	ARK 4000B Retainer	1/2"	7.00
7016655	ARK 4000B Retainer	3/4"	7.00
7016665	ARK4000B-M2/M3 Retainer	3/4"	7.00
7016656	ARK 4000B Retainer	1"	8.75
7016657	ARK 4000B Retainer	1 1/4" - 1 1/2"	17.50
7016658	ARK 4000B Retainer	2"	54.75

**Total Relief Valve Kits**

7016364	ARK 4000BM2 VT	3/4"	238.50
7016365	ARK 4000BM3 VT	3/4"	238.50
7016366	ARK 4000B VT	1"	325.50
7018654	ARK 4000BM2 VT	1"	325.50
7016367	ARK 4000B VT	1 1/4" - 1 1/2"	440.50
7016368	ARK 4000B VT	2"	611.50

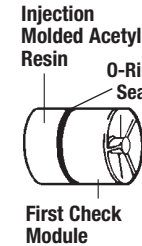
Kit Includes: Seat, Seat O-Ring, Stem & Diaphragm Assembly Stem O-Ring, Cover O-Ring and RV Spring

**Relief Valve Rubber Parts Kits**

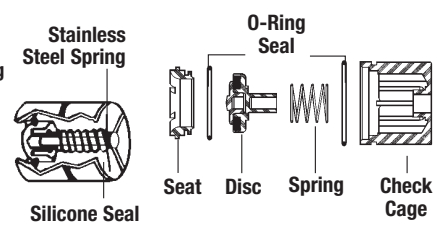
7016369	ARK 4000B RV	1/2"	81.75
7016370	ARK 4000BM2 RV	3/4"	92.50
7016371	ARK 4000BM3 RV	3/4"	92.50
7016372	ARK 4000B RV	1"	92.50
7018655	ARK 4000BM2 RV	1"	92.50
7016373	ARK 4000B RV	1 1/4" - 1 1/2"	108.50
7016374	ARK 4000B RV	2"	111.50

Kit Includes: Diaphragm, Disc Assembly, Stem O-Rings, Seat O-Ring and Cover O-Ring

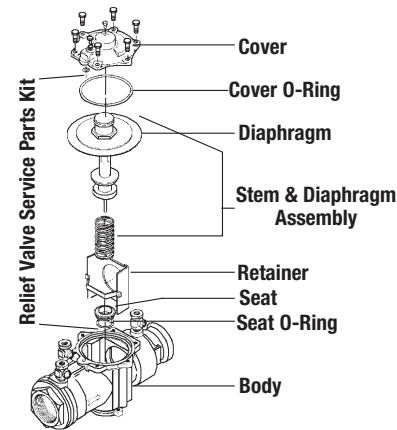
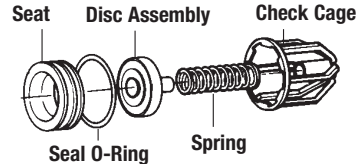
**Check Assembly – 3/4"**



**Check Assembly 3/4" M3**



**Check Assembly 1" – 2"**



ORDERING CODE	KIT NO.	SIZE	LIST PRICE
---------------	---------	------	------------

**Total Rubber Parts Kits**

7016375	ARK 4000B RT	1/2"	\$130.00
7016376	ARK 4000BM2 RT	3/4"	138.00
7016377	ARK 4000BM3 RT	3/4"	144.00
7016378	ARK 4000B RT	1"	138.00
7018656	ARK 4000BM2 RT	1"	138.00
7016379	ARK 4000B RT	1 1/4" - 1 1/2"	214.50
7016380	ARK 4000B RT	2"	216.00

Kit Includes: Diaphragm, Two Disc, Two Disc Assemblies, Stem O-Rings, Cover O-Rings, Two Seat O-Rings and RV Seat O-Ring

**Cover Kits**

7016382	ARK 4000B M2 C	3/4"	131.00
7016384	ARK 4000B C	1"	194.00
0425438	LFARK 4000B C	1/4" - 1/2"	118.50
0425439	LFARK 4000B M3 C	3/4"	131.50
0425440	LFARK 4000B M2 C	1"	209.50
0425441	LFARK 4000B C	1 1/4" - 1 1/2"	264.50
0425442	LFARK 4000B C	2"	299.00

Kit Includes: Cover and Cover O-Ring

\*The wetted surface of this product contacted by consumable water contains less than 0.25% of lead by weight.

**Series C400 Reduced Pressure Zone Assembly 2 1/2" – 10"**  
**Series C500/LFC500 Reduced Pressure Zone Detector Assembly 2 1/2" – 10"**

ORDERING CODE	KIT NO.	SIZE	CHECK DISK MATERIAL	LIST PRICE
---------------	---------	------	---------------------	------------

**C400, C500 1st Check Kits**

LEAD FREE	7010023	ARK C400/C500 CK1	2 1/2" - 4"	Red Silicone	\$ 639.50
	7010025	ARK C400/C500 CK1	6"	Red Silicone	947.50
	7010026	ARK C400/C500 CK1	8"	Red Silicone	1,508.00
	7010027	ARK C400/C500 CK1	10"	Red Silicone	2,045.00
	7010022	ARK C400/C500 CK1-E	2 1/2" - 4"	EPDM	639.50
	7010024	ARK C400/C500 CK1-E	6"	EPDM	947.50

Kit includes: 1st Check Assembly and Check O-Ring

**C400, C500 2nd Check Kits**

LEAD FREE	7010029	ARK C400/C500 CK2	2 1/2" - 4"	Red Silicone	602.50
	7010031	ARK C400/C500 CK2	6"	Red Silicone	836.50
	7010032	ARK C400/C500 CK2	8"	Red Silicone	1,386.00
	7010033	ARK C400/C500 CK2	10"	Red Silicone	1,743.00
	7010028	ARK C400/C500 CK2-E	2 1/2" - 4"	EPDM	602.50
	7010030	ARK C400/C500 CK2-E	6"	EPDM	836.50

Kit Includes: 2nd Check Assembly and Check O-Ring

**Check Rubber Parts Kits**

LEAD FREE	7010035	ARK C400/C500 RC4	2 1/2" - 4"	Red Silicone	79.50
	7010037	ARK C400/C500 RC4	6"	Red Silicone	101.50
	7010038	ARK C400/C500 RC4	8"	Red Silicone	142.00
	7010039	ARK C400/C500 RC4	10"	Red Silicone	316.50
	7010034	ARK C400/C500 RC4-E	2 1/2" - 4"	EPDM	79.50
	7010036	ARK C400/C500 RC4-E	6"	EPDM	101.50

Kit includes: Shutoff Disk (1), Check O-Ring (1), E-Clip and Lube

**Total Rubber Parts Kits**

LEAD FREE	7010041	ARK C400/C500 RT	2 1/2" - 4"	Red Silicone	537.00
	7010043	ARK C400/C500 RT	6"	Red Silicone	576.50
	7010044	ARK C400/C500 RT	8"	Red Silicone	658.00
	7010045	ARK C400/C500 RT	10"	Red Silicone	1,079.00
	7010040	ARK C400/C500 RT-E	2 1/2" - 4"	EPDM	537.00
	7010042	ARK C400/C500 RT-E	6"	EPDM	576.50

Kit Includes: Shutoff Disk (2), Check O-Ring (2), E-Clip (2), RV Diaphragm, RV Piston, Sleeve O-Rings (2), RV E-Clip, RV O-Ring and Lube

**Total Relief Valve Kit**

LEAD FREE	7010046	ARK C/M 400/500 VT	2 1/2" - 10"	1,412.00
-----------	---------	--------------------	--------------	----------

Kit Includes: Complete RV w/36" Hose, RV O-Ring and Lube

**Relief Valve Rubber Parts Kit**

LEAD FREE	7010047	ARK C/M 400/500 RV	2 1/2" - 10"	400.50
-----------	---------	--------------------	--------------	--------

Kit Includes: RV Diaphragm, RV Piston, RV E-Clip, RV O-Ring and Lube

**Cover Kits**

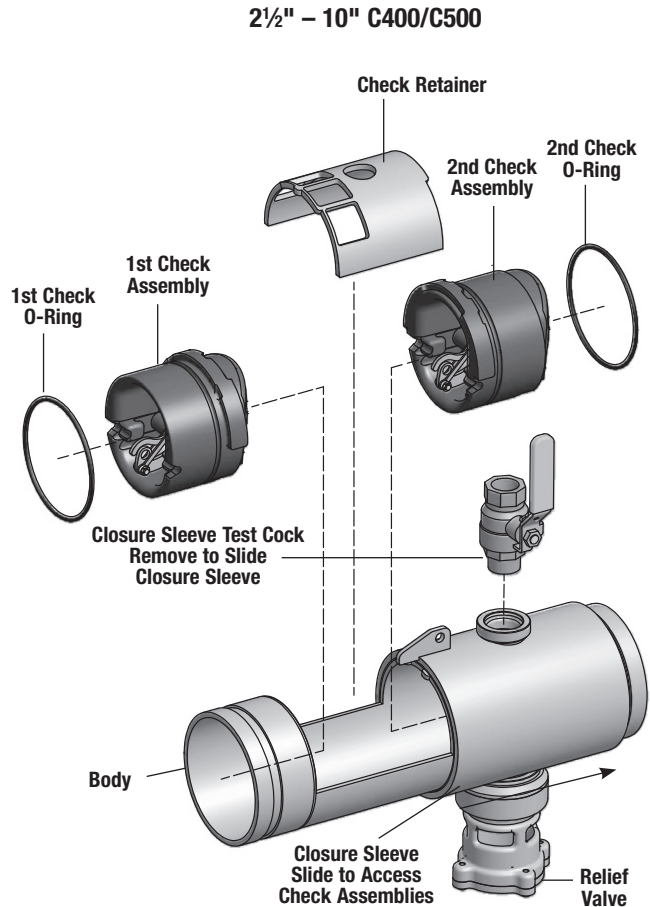
LEAD FREE	7020198	ARK C/M C	2 1/2" - 4"	762.50
	7020199	ARK C/M C	6"	1,023.00
	7020200	ARK C/M C	8"	1,747.00
	7020201	ARK C/M C	10"	2,133.00

Kit Includes: Cover Sleeve, Sleeve O-Ring (2) and Lube

**Test Cocks**

LEAD FREE	7018152	ARK C/M TC3	1/2"	(2 1/2" - 4")	213.50
	7018153	ARK C/M TC3	3/4"	(6" - 10")	213.50

Sleeve Test Cock #3



**Series M400 Reduced Pressure Zone Assembly 2 1/2" – 10"**  
**Series M500/LFM500 Reduced Pressure Detector Assembly 2 1/2" – 10"**

2 1/2" – 10" M400/M500

	ORDERING CODE	KIT NO.	SIZE	CHECK DISK MATERIAL	LIST PRICE
--	---------------	---------	------	---------------------	------------

**M400, M500 1st Check Kits**

LEAD FREE	7010067	ARK M400/M500 CK1	2 1/2" - 3"	Red Silicone	\$ 639.50
	7010069	ARK M400/M500 CK1	4"	Red Silicone	947.50
	7010070	ARK M400/M500 CK1	6"	Red Silicone	1,508.00
	7010071	ARK M400/M500 CK1	8" - 10"	Red Silicone	2,045.00
	7010066	ARK M400/M500 CK1-E	2 1/2" - 3"	EPDM	639.50
	7010068	ARK M400/M500 CK1-E	4"	EPDM	947.50

Kit includes: 1st Check Assembly, Check O-Ring and Lube

**M400, M500 2nd Check Kits**

LEAD FREE	7010073	ARK M400/M500 CK2	2 1/2" - 3"	Red Silicone	602.50
	7010075	ARK M400/M500 CK2	4"	Red Silicone	836.50
	7010076	ARK M400/M500 CK2	6"	Red Silicone	1,386.00
	7010077	ARK M400/M500 CK2	8" - 10"	Red Silicone	1,743.00
	7010072	ARK M400/M500 CK2-E	2 1/2" - 3"	EPDM	602.50
	7010074	ARK M400/M500 CK2-E	4"	EPDM	836.50

Kit includes: 2nd Check Assembly, Check O-Ring and Lube

**Check Rubber Parts Kits**

LEAD FREE	7010079	ARK M400/M500 RC4	2 1/2" - 3"	Red Silicone	79.50
	7010081	ARK M400/M500 RC4	4"	Red Silicone	101.50
	7010082	ARK M400/M500 RC4	6"	Red Silicone	65.00
	7010083	ARK M400/M500 RC4	8" - 10"	Red Silicone	316.50
	7010078	ARK M400/M500 RC4-E	2 1/2" - 3"	EPDM	79.50
	7010080	ARK M400/M500 RC4-E	4"	EPDM	101.50

Kit includes: Shutoff Disk (1), Check O-Ring (1), E-Clip and Lube

**Total Rubber Parts Kits**

LEAD FREE	7010085	ARK M400/M500 RT	2 1/2" - 3"	Red Silicone	537.00
	7010087	ARK M400/M500 RT	4"	Red Silicone	576.50
	7010088	ARK M400/M500 RT	6"	Red Silicone	658.00
	7010089	ARK M400/M500 RT	8" - 10"	Red Silicone	1,079.00
	7010084	ARK M400/M500 RT-E	2 1/2" - 3"	EPDM	537.00
	7010086	ARK M400/M500 RT-E	4"	EPDM	576.50

Kit Includes: Shutoff Disk (2), Check O-Ring (2), Sleeve O-Ring (2), E-Clip (2), RV Diaphragm, RV Piston, RV E-Clip, RV O-Ring and Lube

**Total Relief Valve Kit**

LEAD FREE	7010046	ARK C/M 400/500 VT	2 1/2" - 10"		1,412.00
-----------	---------	--------------------	--------------	--	----------

Kit Includes: Complete RV w/36" Hose, RV O-Ring and Lube

**Relief Valve Rubber Parts Kit**

LEAD FREE	7010047	ARK C/M 400/500 RV	2 1/2" - 10"		400.50
-----------	---------	--------------------	--------------	--	--------

Kit Includes: RV Diaphragm, RV Piston, RV E-Clip, RV O-Ring and Lube

**Cover Kits**

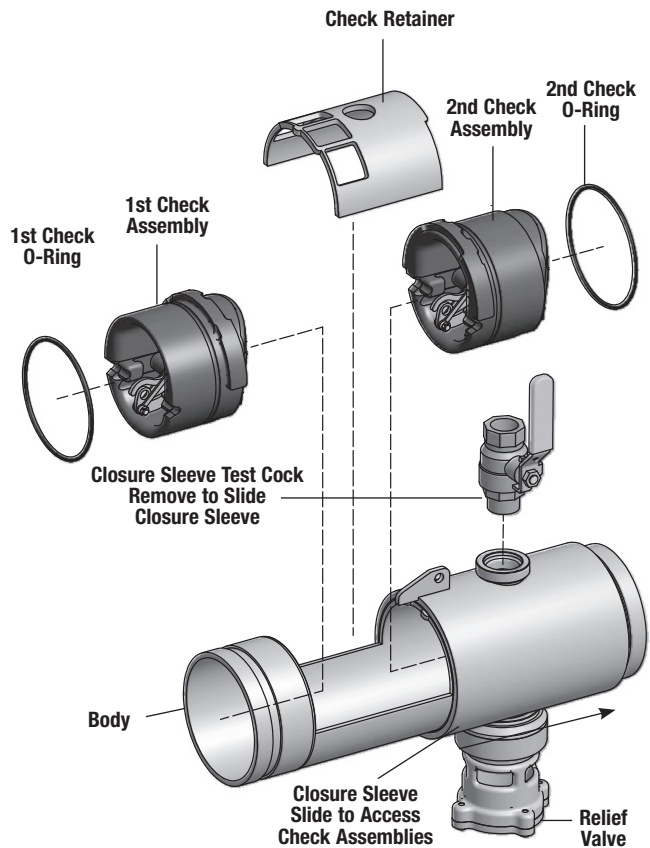
LEAD FREE	7020198	ARK C/M C	2 1/2" - 4"		762.50
	7020199	ARK C/M C	6"		1,023.00
	7020200	ARK C/M C	8"		1,747.00
	7020201	ARK C/M C	10"		2,133.00

Kit includes: Closure Sleeve, Sleeve O-Ring (2) and Lube

**Test Cocks**

LEAD FREE	7018152	ARK C/M TC3	1/2"	(2 1/2" - 3")	213.50
	7018153	ARK C/M TC3	3/4"	(4" - 10")	213.50

Sleeve Test Cock #3





## Repair Parts

# Series C400/C/M400 Reduced Pressure Zone Assembly 2½" – 10" Series C500/C/M/LFC/LFM500 Reduced Pressure Detector Assembly 2½" – 10"

### Relief Valve Kits

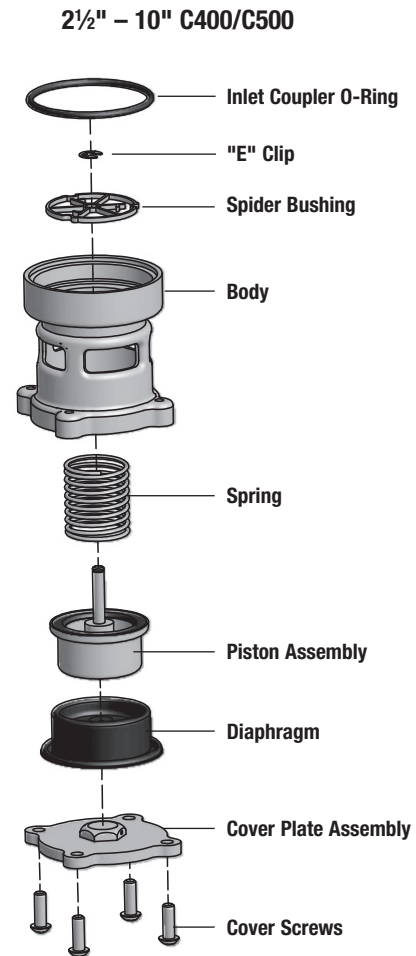
When ordering specify Ordering Code, Kit No., and Valve Size.

	ORDERING CODE	KIT NO.	SIZE	LIST PRICE
<b>Total Relief Valve Kit</b>				
LEAD FREE	7010046	ARK C/M 400/500 VT	2 1/2" - 10"	\$ 1,412.00

Kit Includes: Complete RV w/36" Hose, RV O-Ring and Lube

	ORDERING CODE	KIT NO.	SIZE	LIST PRICE
LEAD FREE	7010047	ARK C/M 400/500 RV	2 1/2" - 10"	400.50

Kit Includes: RV Diaphragm, RV Piston, RV E-Clip, RV O-Ring and Lube



## Repair Parts

### Series C/M400, C/M500, LFC/LFM500 Relief Valve Sensing Lines

#### Colt

DESCRIPTION	USE FOR	ORDERING CODE	LIST PRICE
Hose 1/2 x 20"	2 1/2 – 4 C400, C500/LFC500	7018890	\$17.50
Hose 1/2 x 24"	2 1/2 & 3 C400 N & Z	7018891	20.00
	2 1/2 & 3 C500 N & Z		
Hose 1/2 x 30"	6 C400, 4 C400N, 2 1/2, 3, 4 C400Z, 6, 8 C500/LFC500 4, 6, 8 C500/LFC500 N & Z, 2 1/2, 3, 4 C500BFG/LFC500BFG, 2 1/2, 3, 4, 6 C500BFG/LFC500BFG N & Z	7018892	21.75
Hose 1/2 x 36"	8 & 10 C400, 6, 8, 10 C400 N & Z, 10 C500/LFC500 N & Z, 6 & 8 C500BFG/LFC500BFG N & Z	7018893	27.00

#### Maxim

DESCRIPTION	USE FOR	ORDERING CODE	LIST PRICE
Hose 1/2 x 20"	2 1/2 & 3 M400, M500/LFM500	7018890	\$17.50
Hose 1/2 x 24"	2 1/2 & 3 M400 N & Z	7018891	20.00
Hose 1/2 x 30"	6 M400, 2.5, 3, 4 M500/LFM500, 2 1/2, 3, 4 M400 N & Z, 2 1/2, 3, 4 M500/LFM500 N & Z, 2 1/2 & 3 M500/LFM500 N & Z BFG	7018892	21.75
Hose 1/2 x 36"	8 & 10 M400, 6, 8, 10 M400 N & Z, 4 & 6 M400BFG N & Z, 6, 8, 10 M500/LFM500, 6, 8, 10 M500/LFM500 N & Z 4 & 6 M500/LFM500BFG N & Z	7018893	27.00



\*The wetted surface of this product contacted by consumable water contains less than 0.25% of lead by weight.

# Repair Parts

## Series 4000SS Reduced Pressure Zone Assembly 2 1/2" – 10" Series 5000SS Reduced Pressure Detector Assembly 2 1/2" – 6"

ORDERING CODE	KIT NO.	SIZE	LIST PRICE
---------------	---------	------	------------

### 4000SS, 5000SS 1st Check Kits

LEAD FREE	7010107	ARK 4000SS/5000SS CK1	2 1/2" - 4"	\$ 634.00
	7010108	ARK 4000SS/5000SS CK1	6"	681.50
	7010109	ARK 4000SS CK1	8" - 10"	2,884.00

Kit includes: 1st Check, Check O-Ring, Retaining Nuts (4) and Lube

### 4000SS, 5000SS 2nd Check Kits

LEAD FREE	7010110	ARK 4000SS/5000SS CK2	2 1/2" - 4"	574.00
	7010111	ARK 4000SS/5000SS CK2	6"	611.50
	7010112	ARK 4000SS CK2	8" - 10"	1,759.00

Kit includes: 2nd Check, Check O-Ring, Retaining Bolts (4) and Lube

### Relief Valve Kit

LEAD FREE	7010114	ARK 4000SS/5000SS VT	2 1/2" - 10"	2,207.00
-----------	---------	----------------------	--------------	----------

Kit Includes: Complete RV, RV O-Ring and Lube

### Relief Valve Rubber Parts Kit

LEAD FREE	7010113	ARK 4000SS/5000SS RV	2 1/2" - 10"	352.00
-----------	---------	----------------------	--------------	--------

Kit Includes: RV Diaphragm, Piston, RV Disc, RV Disc O-Ring and Lube

### Cover Kits

LEAD FREE	7010090	ARK SS C	2 1/2" - 4"	551.00
	7010091	ARK SS C	6"	780.50
	7010093	ARK SE/SS C	8" - 12"	1,199.00

Kit includes: Grooved Couple, and Gasket

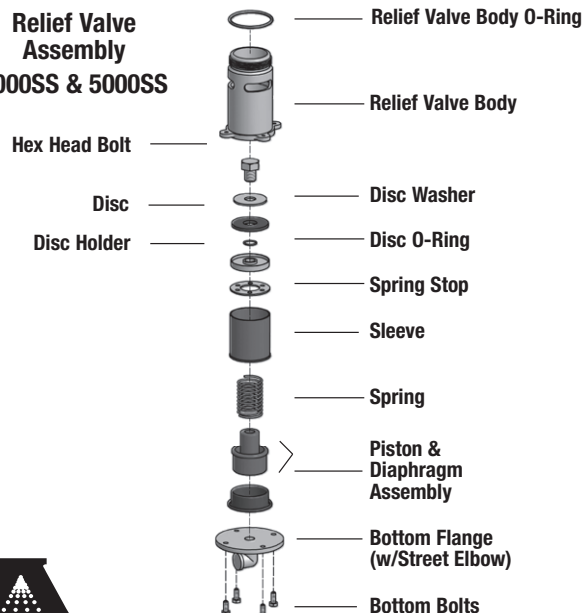
### 4000BLT, 6000HMB Kits

LEAD FREE	7010115	ARK HMB/BLT CK1	2 1/2" - 3"	634.00
	7010116	ARK HMB/BLT CK2	2 1/2" - 3"	786.00
	7010117	ARK HMB/BLT VT	2 1/2" - 3"	2,534.00
	7010090	ARK SS C	2 1/2" - 4"	551.00
	7017555	SUPPORT ROD, REPLACEMENT		700.00

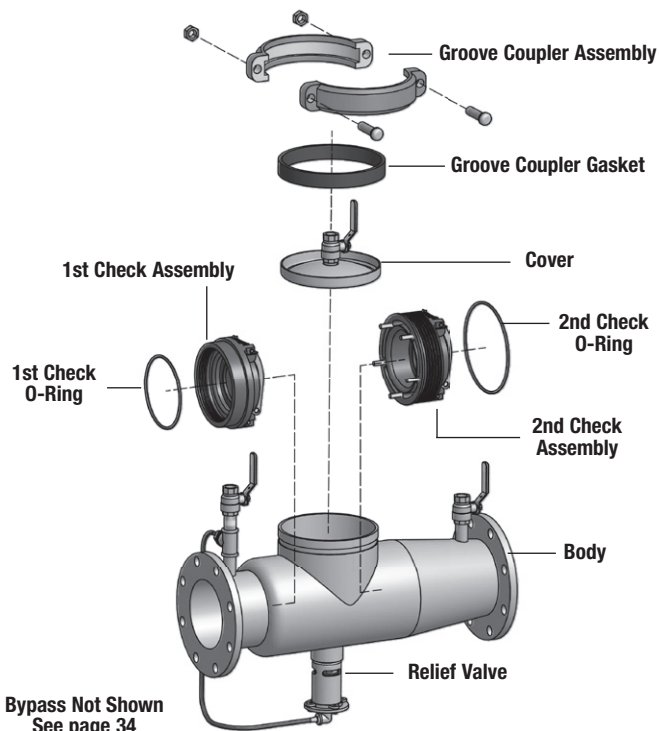
### RV Sensing Hoses

LEAD FREE	7013343	ARK 4000SS/5000SS RVH	2 1/2" - 6"	341.50
	7013522	ARK 4000SS RVH	8" - 10"	372.50

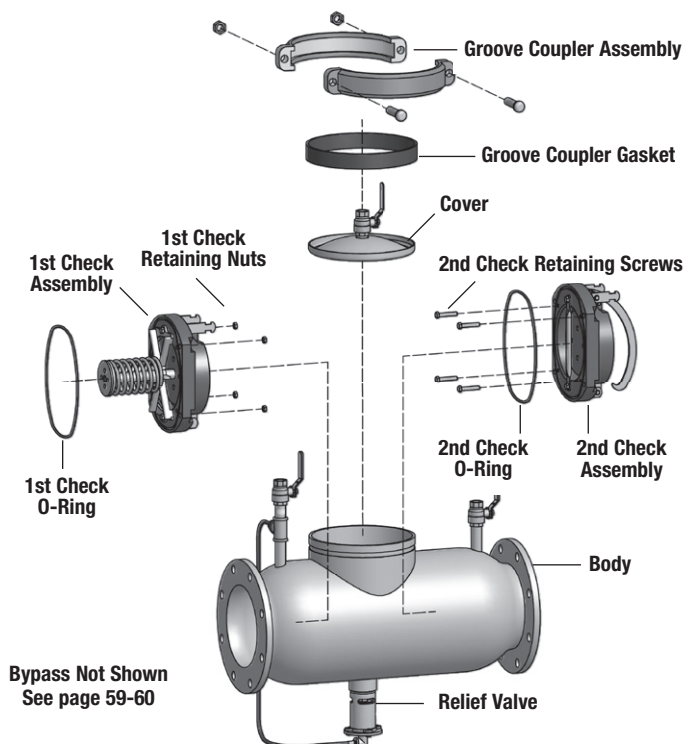
### Relief Valve Assembly 4000SS & 5000SS



### 2 1/2" – 6" 4000SS/5000SS



### 8" – 10" 4000SS





ORDERING CODE	KIT NO.	SIZE	LIST PRICE
---------------	---------	------	------------

**1st Check Kits**

<b>LEAD FREE</b>	0425458	LFLFARK 4000CIV CK1	6"	\$ 2,766.00
------------------	---------	---------------------	----	-------------

**2nd Check Kits**

<b>LEAD FREE</b>	0425462	LFARK 4000CIV CK2	6"	2,525.00
------------------	---------	-------------------	----	----------

Kit includes: Disc & Spring Assembly, Cover O-Ring and Lubricant

Kit includes: Seat, Seat O-Ring, Cover O-Ring, Retainer Wire and Lubricant

**First Check Rubber Parts Kits**

<b>LEAD FREE</b>	7016218	ARK 4000CIV RC1	6"	223.00
------------------	---------	-----------------	----	--------

Kit includes: Lower Stem O-Ring (6" only), Check Disc, Cover O-Ring and Lubricant

**Second Check Rubber Parts Kits**

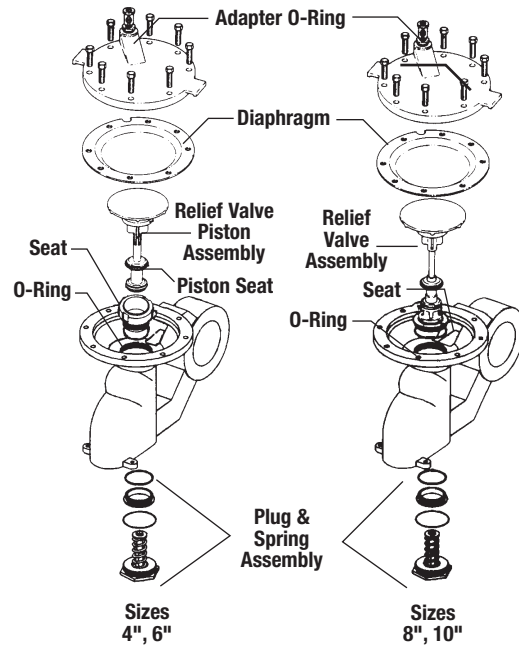
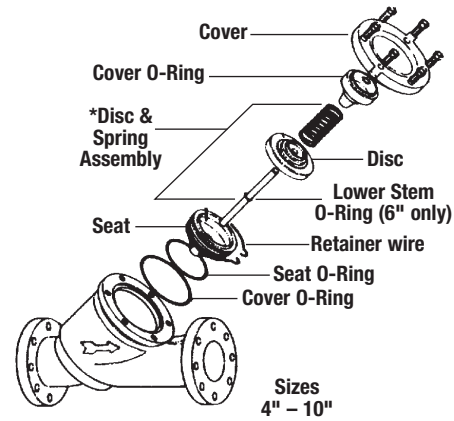
<b>LEAD FREE</b>	7016223	ARK 4000CIV RC2	6"	223.00
------------------	---------	-----------------	----	--------

Kit includes: Lower Stem O-Ring (6" only), Check Disc, Cover O-Ring and Lubricant

**Relief Valve Total Kit**

<b>LEAD FREE</b>	0425451	LFARK 4000CIV VT	4" - 6"	1,667.00
------------------	---------	------------------	---------	----------

Kit includes: Adapter O-Ring, Diaphragm, Disc & Piston Assembly Seat, Seat O-Ring and Lubricant



ORDERING CODE	KIT NO.	SIZE	LIST PRICE
---------------	---------	------	------------

**1st Check Kits**

LEAD FREE	0425481	LFARK5000CIV-CK1	2 1/2" - 3"	\$ 1,132.00
	0425482	LFARK5000CIV-CK1	4"	1,598.00
	0425483	LFARK5000CIV-CK1	6"	2,882.00
	0425484	LFARK5000CIV-CK1	8"	5,200.00
	0425485	LFARK5000CIV-CK1	10"	7,717.00

**2nd Check Kits**

LEAD FREE	0425486	LFARK5000CIV-CK2	2 1/2" - 3"	917.50
	0425487	LFARK5000CIV-CK2	4"	1,465.00
	0425488	LFARK5000CIV-CK2	6"	2,525.00
	0425489	LFARK5000CIV-CK2	8"	4,607.00
	0425490	LFARK5000CIV-CK2	10"	6,203.00

Kit includes: Disc & Spring Assembly, Cover O-Ring and Lubricant

**Seat Kits**

LEAD FREE	0425491	LFARK 5000CIV-S	2 1/2" - 3"	365.00
	0425492	LFARK 5000CIV-S	4"	532.50
	0425493	LFARK 5000CIV-S	6"	908.50
	0425494	LFARK 5000CIV-S	8"	2,165.00
	0425495	LFARK 5000CIV-S	10"	2,529.00

Kit includes: Seat, Seat O-Ring, Cover O-Ring, Retainer Wire and Lubricant O-Ring

**1st Check Rubber Parts Kits**

LEAD FREE	7016246	ARK 5000CIV RC1	2 1/2" - 3"	149.00
	7016247	ARK 5000CIV RC1	4"	196.50
	7016248	ARK 5000CIV RC1	6"	223.00
	7016249	ARK 5000CIV RC1	8"	269.00
	7016250	ARK 5000CIV RC1	10"	362.00

**2nd Check Rubber Parts Kits**

LEAD FREE	7016251	ARK 5000CIV RC2	2 1/2" - 3"	149.00
	7016252	ARK 5000CIV RC2	4"	196.50
	7016253	ARK 5000CIV RC2	6"	223.00
	7016254	ARK 5000CIV RC2	8"	269.00
	7016255	ARK 5000CIV RC2	10"	362.00

Kit includes: Lower Stem O-Ring (6" only), Check Disc, Cover O-Ring and Lubricant

ORDERING CODE	KIT NO.	SIZE	LIST PRICE
---------------	---------	------	------------

**Total Rubber Parts Kits**

LEAD FREE	0425476	LFARK 5000CIV-RT	2 1/2" - 3"	\$ 682.00
	0425477	LFARK 5000CIV-RT	4"	899.50
	0425478	LFARK 5000CIV-RT	6"	944.50
	0425479	LFARK 5000CIV-RT	8"	1,037.00
	0425480	LFARK 5000CIV-RT	10"	1,233.00

Kit includes: Lower Stem O-Ring (6" only), Check Disc, Cover O-Ring, Sleeve O-Ring, Piston O-Ring, RV Disc Assembly, Diaphragm, Piston Seat and Lubricant

**Relief Valve Rubber Parts Kits**

LEAD FREE	0425469	LFARK 5000CIV RV	2 1/2" - 3"	384.50
	0425472	LFARK 5000CIV RV	4" - 10"	507.50

Kit includes: Sleeve O-Ring, Seat O-Ring, Piston O-Ring, Stem O-Ring, RV Disc Assembly, Diaphragm, Piston Seal, Bottom plug O-Ring and Lubricant

**Total Relief Valve Kits**

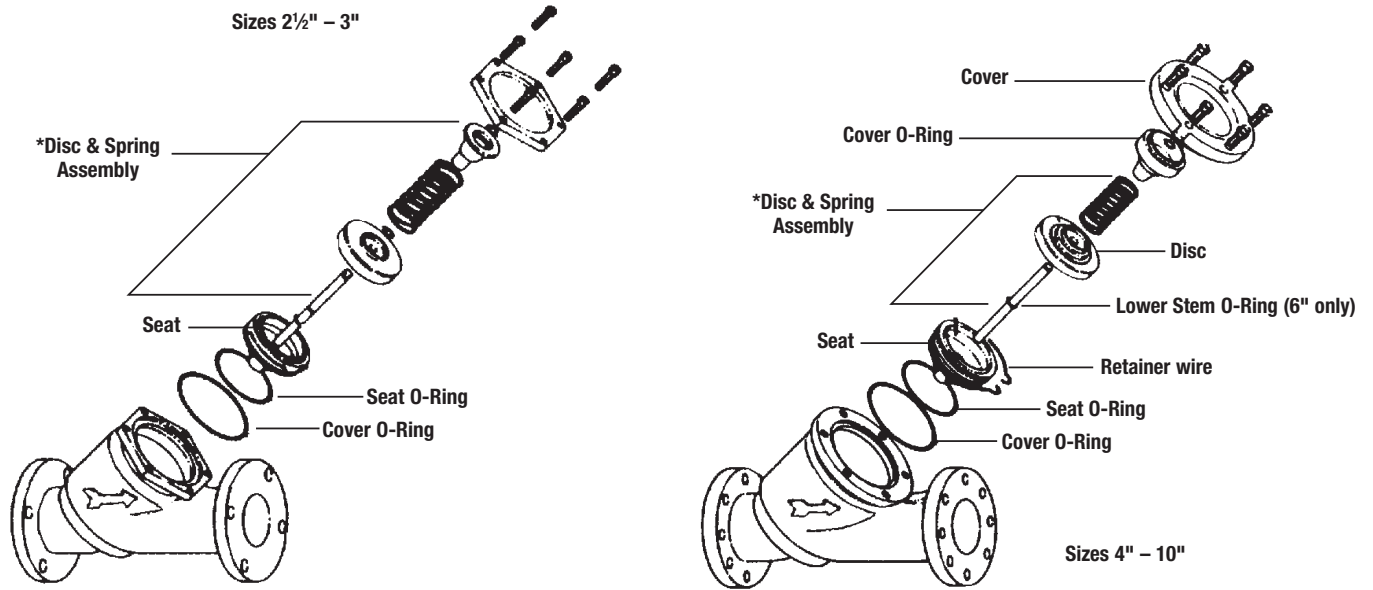
LEAD FREE	0425473	LFARK 5000CIV VT	2 1/2" - 3"	853.00
	7016284	ARK 5000CIV VT	4" - 10"	1,365.00

Kit includes: Adapter O-Ring, Diaphragm, Disc & Piston Assembly Seat, Seat O-Ring and Lubricant

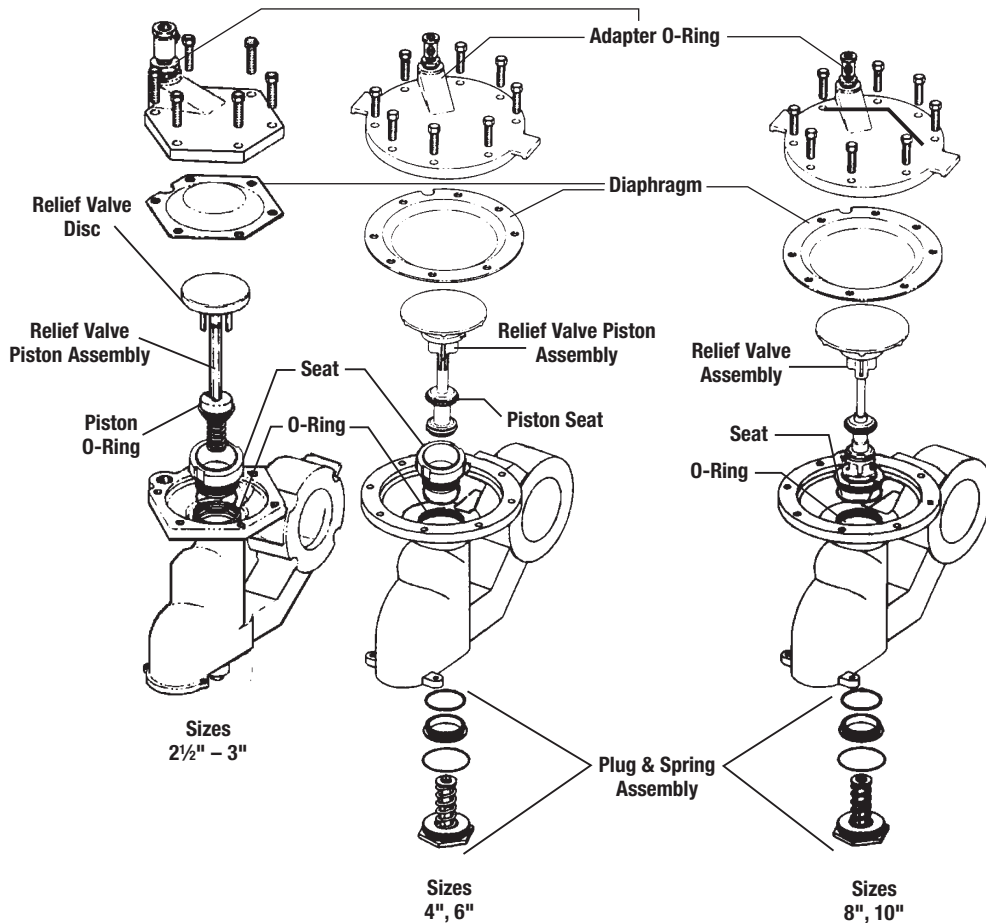
**Cover Kits**

LEAD FREE	7016287	ARK 5000CIV C	2 1/2" - 3"	497.50
	7016288	ARK 5000CIV C	4"	558.00
	7016289	ARK 5000CIV C	6"	775.50
	7016290	ARK 5000CIV C	8"	1,266.00
	7016291	ARK 5000CIV C	10"	2,828.00

Kit includes: Cover, Cover O-Ring and Lubricant



Bypass Not Shown See page 34



ORDERING CODE	KIT NO.	SIZE	LIST PRICE
---------------	---------	------	------------

**4000RP 1st Check Kits**

LEAD FREE	7010161	ARK 4000RP CK1	4"	\$ 1,027.00
	7010162	ARK 4000RP CK1	6"	1,483.00
	7010163	ARK 4000RP CK1	8" - 10"	3,352.00

Kit includes: 1st Check Assembly, Cover Gasket and Mounting Hardware

**4000RP 2nd Check Kits**

LEAD FREE	7010164	ARK 4000RP CK2	4"	909.50
	7010165	ARK 4000RP CK2	6"	954.00
	7010166	ARK 4000RP CK2	8" - 10"	1,499.00

Kit includes: 2nd Check Assembly, Cover Gasket and Mounting Hardware

**Total RV Kit**

LEAD FREE	7010173	ARK 4000RP/5000RPDA VT	4" - 10"	4,657.00
-----------	---------	------------------------	----------	----------

Kit includes: Complete Relief Assembly, RV Mounting Seat Gasket

**Rubber RV Kit**

LEAD FREE	7010174	ARK 4000RP/5000RPDA RV	4" - 10"	439.50
-----------	---------	------------------------	----------	--------

Kit includes: O-ring, Diaphragm, RV Mounting Seat Gasket

ORDERING CODE	KIT NO.	SIZE	LIST PRICE
---------------	---------	------	------------

**Cover Kits**

LEAD FREE	7010142	ARK EPOXY C	4"	\$ 696.50
	7010143	ARK EPOXY C	6"	1,023.00
	7010144	ARK EPOXY C	8" - 10"	1,457.00

Kit includes: Cover, Cover Gasket and Vent Screw

**Seat Kits**

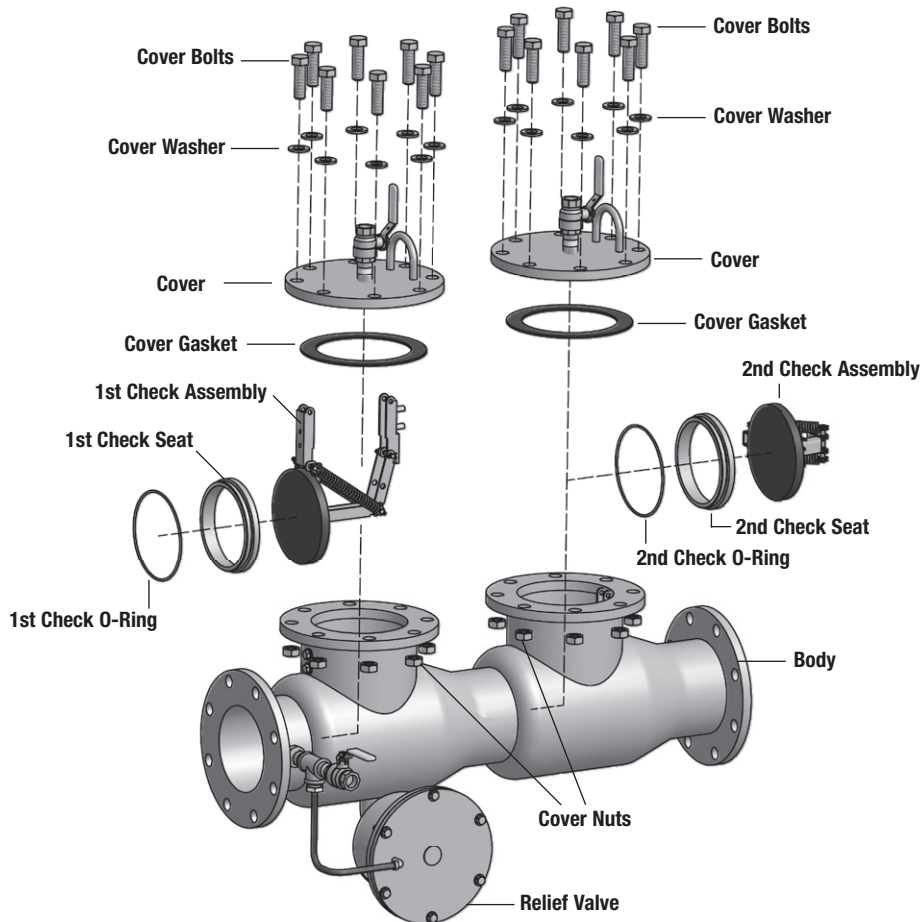
7010145	ARK EPOXY S	4"	341.50
7010146	ARK EPOXY S	6"	512.00
7010147	ARK EPOXY S	8" - 10"	742.00

Kit includes: Seat, Seat O-Ring and Cover Gasket

**Tools**

7013911	RETAINER CLIP	4"	165.00
7013912	RETAINER CLIP	6"	269.00
7013913	RETAINER CLIP	8" - 10"	208.50
7013941	SEAT INSTALL-REMOVAL TOOL	4"	1,991.00
7013946	SEAT INSTALL-REMOVAL TOOL	6"	2,423.00
7013950	SEAT INSTALL-REMOVAL TOOL	8" - 10"	2,394.00
7016090	TONG TOOL		392.00

**4" – 10" 4000RP Epoxy**



ORDERING CODE	KIT NO.	SIZE	LIST PRICE
---------------	---------	------	------------

**5000RPDA 1st Check Kits**

LEAD FREE	7010167	ARK 5000RPDA CK1	4"	\$ 1,346.00
	7010168	ARK 5000RPDA CK1	6"	1,484.00
	7010169	ARK 5000RPDA CK1	8" - 10"	3,352.00

Kit includes: 1st Check Assembly, Cover Gasket and Mounting Hardware

**5000RPDA 2nd Check Kits**

LEAD FREE	7010170	ARK 5000RPDA CK2	4"	909.50
	7010171	ARK 5000RPDA CK2	6"	1,083.00
	7010172	ARK 5000RPDA CK2	8" - 10"	1,980.00

Kit includes: 2nd Check Assembly, Cover Gasket and Mounting Hardware

**Total Relief Valve Kit**

LEAD FREE	7010173	ARK 4000RP/5000RPDA VT	4" - 10"	4,657.00
-----------	---------	------------------------	----------	----------

Kit includes: Complete Relief Assembly, Mounting Seat Gasket

**Relief Valve Rubber Kit**

LEAD FREE	7010174	ARK 4000RP/5000RPDA RV	4" - 10"	439.50
-----------	---------	------------------------	----------	--------

Kit includes: O-ring, Diaphragm, Mounting Seat Gasket

ORDERING CODE	KIT NO.	SIZE	LIST PRICE
---------------	---------	------	------------

**Cover Kits**

LEAD FREE	7010142	ARK EPOXY C	4"	\$ 696.50
	7010143	ARK EPOXY C	6"	1,023.00
	7010144	ARK EPOXY C	8" - 10"	1,457.00

Kit includes: Cover, Cover Gasket, Cover Bolts, Test Cock and Vent Screw

**Seat Kits**

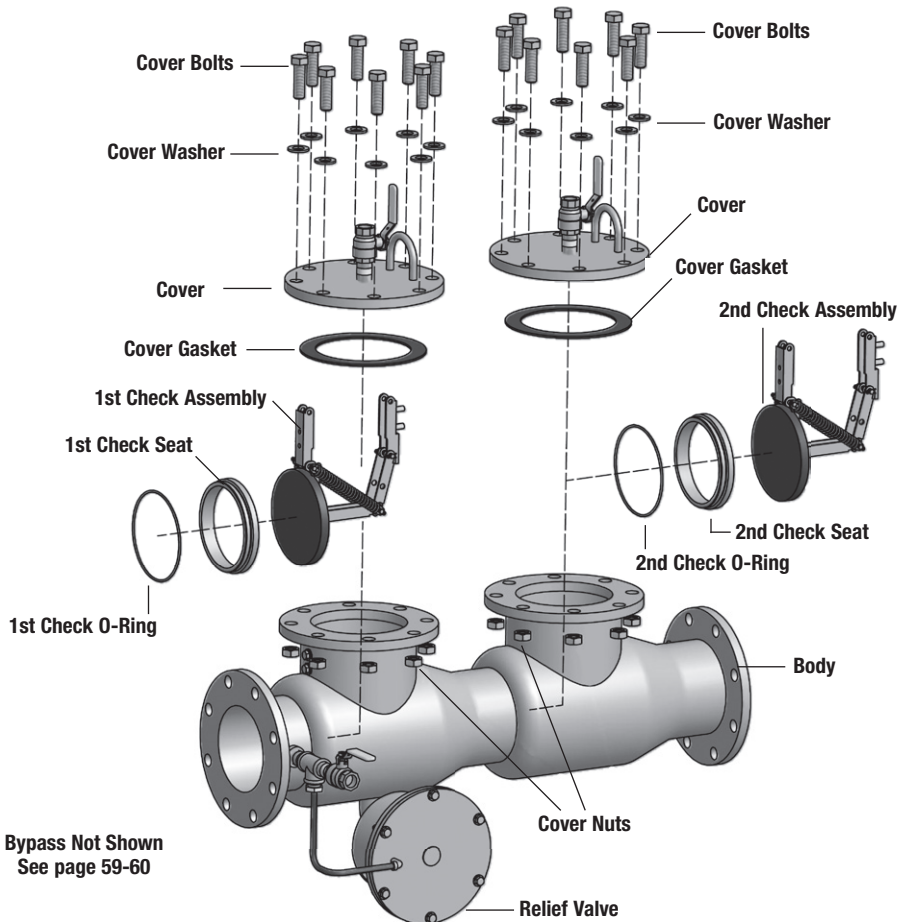
7010145	ARK EPOXY S	4"	341.50
7010146	ARK EPOXY S	6"	512.00
7010147	ARK EPOXY S	8" - 10"	742.00

Kit includes: Seat, Seat O-Ring and Cover Gasket

**Tools**

7013911	RETAINER CLIP	4"	165.00
7013912	RETAINER CLIP	6"	269.00
7013913	RETAINER CLIP	8" - 10"	208.50
7013941	SEAT INSTALL-REMOVAL TOOL	4"	1,991.00
7013946	SEAT INSTALL-REMOVAL TOOL	6"	2,423.00
7013950	SEAT INSTALL-REMOVAL TOOL	8" - 10"	2,394.00
7016090	TONG TOOL		392.00

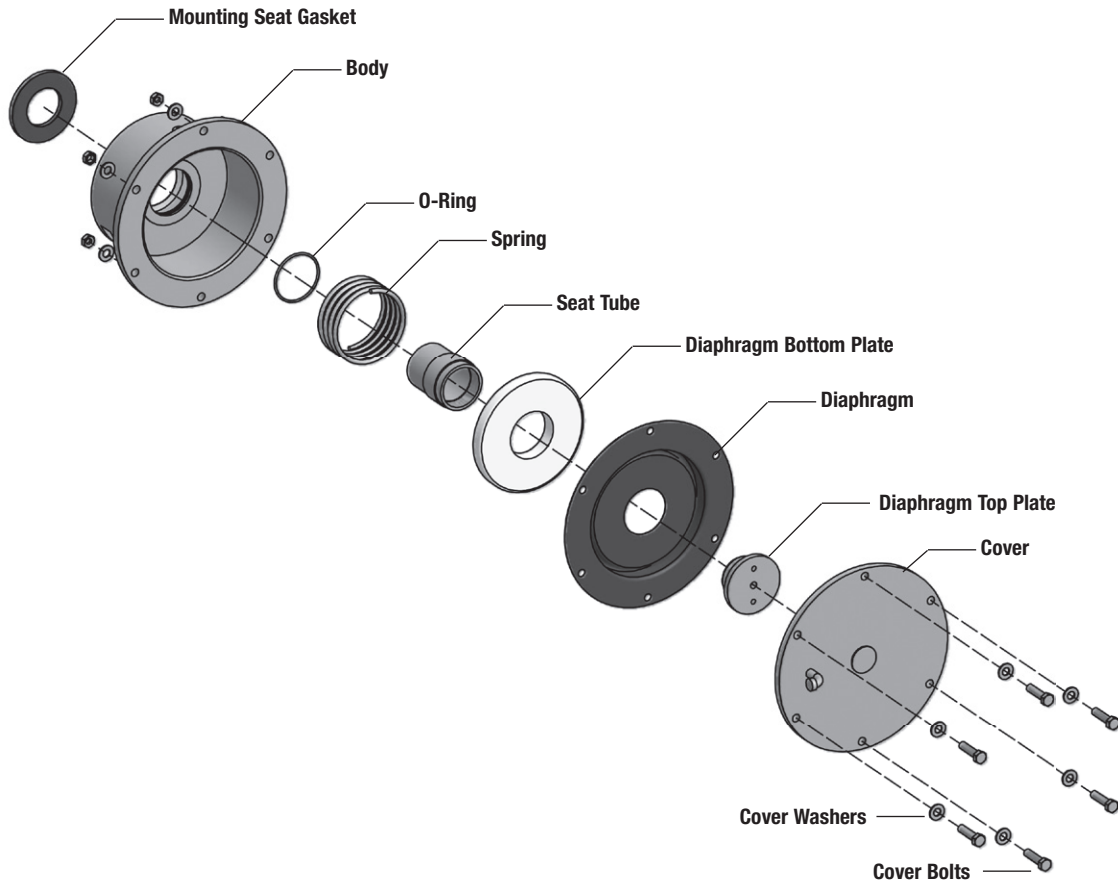
**4" – 10" 5000 RPDA Epoxy**



Bypass Not Shown  
See page 59-60

ORDERING CODE	KIT NO.	SIZE	LIST PRICE
<b>Total Relief Valve Kit</b>			
LEAD FREE 7010173	ARK 4000RP/5000RPDA VT	4" - 10"	\$ 4,657.00
Kit includes: Complete Relief Assembly, Mounting Seat Gasket			
<b>Rubber Relief Valve Kit</b>			
LEAD FREE 7010174	ARK 4000RP/5000RPDA RV	4" - 10"	439.50
Kit includes: O-ring, Diaphragm, Mounting Seat Gasket			

**4" – 10" 4000/5000 Relief Valve**  
 (Note: Mounting Bolts not shown)



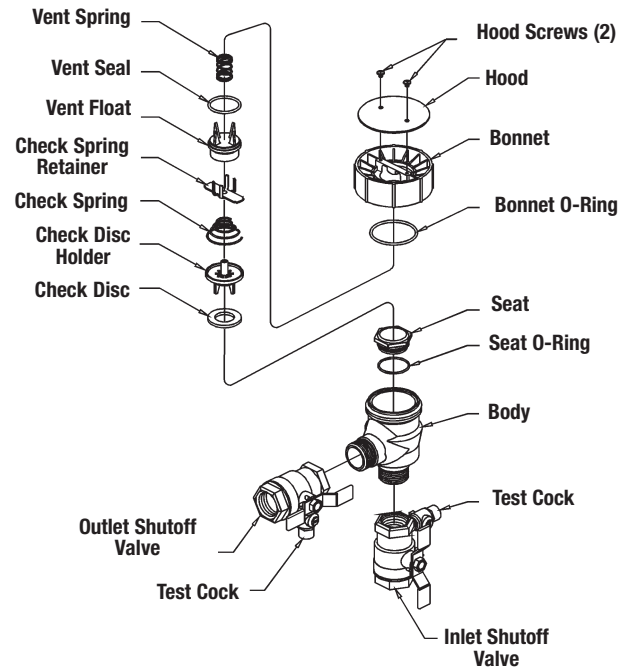
ORDERING CODE	KIT NO.	SIZE	LIST PRICE
---------------	---------	------	------------

**Bonnet Assembly Kits**

LEAD FREE

7017531	ARK A200 B	1/2" - 3/4"	\$ 74.50
7017532	ARK A200 B	1"	75.00
7017533	ARK A200 B	1 1/2" – 2"	162.50

Kit includes: Bonnet, Bonnet O-Ring, Vent Spring, Hood and Hood Screws



**IMPORTANT:** Inquire with governing authorities for local installation requirements.

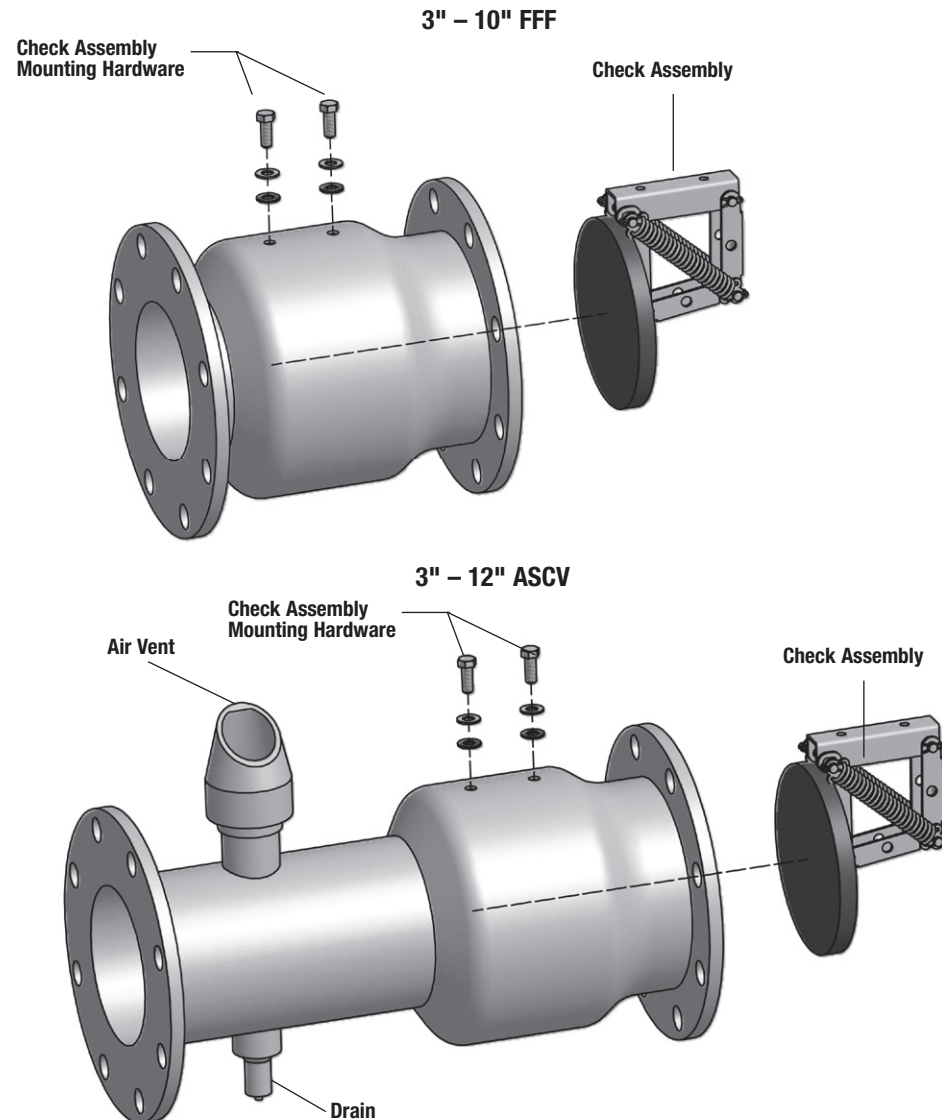


Irrigation Checks FFF/FCC/FPP/ASCV

ORDERING CODE	KIT NO.	SIZE	LIST PRICE
<b>1st Check Kits</b>			
7010175	ARK FFF/FPP/ASCV CK1	3"	\$ 560.00
7010176	ARK FFF/FPP/ASCV CK1	4"	588.50
7010177	ARK FFF/FPP/ASCV CK1	5"	699.50
7010178	ARK FFF/FPP/ASCV CK1	6"	759.50
7010179	ARK FFF/FPP/ASCV CK1	8"	865.00
7010180	ARK FFF/FPP/ASCV CK1	10" - 12"	1,138.00

Kit consists of: Check Assembly and Mounting Hardware

7013711	AIR VENT, 2 BALL TYPE	604.50
7013661	DRAIN, 1 1/2 LOW PRESSURE	65.00



ORDERING CODE	KIT NO.	PARTS QTY. REQUIRED	LIST PRICE
<b>Air Gap Drains</b>			
0064661	3/4" - 1" 400B AG	1	\$ 131.50
0064662	1 1/4" - 2" 400B AG	1	268.50
7014267	1/2", 3/4" 4000B	1	112.50
0691853	1", 1 1/4", 1 1/2" 4000B	1	138.00
0691866	2" 4000B	1	281.50
0690511	2 1/2" - 6" 4000SS (Vertical)	1	1,488.00
0691842	2 1/2" - 10" 4000SS Plastic	1	356.50
7011361	4000RP / 5000RPDA (Epoxy)	1	1,531.00
7017299	4" - 10" 4000CIV / 5000CIV	1	563.00
7018894	Air Gap Splash Guard Only (Colt & Maxim)	1	110.50

**Test Kit**

0385502	ATG -1	1	3,594.00
---------	--------	---	----------

**Meters for Colt / Maxim N & Z Pattern Valves**

7017978	5/8 X 1/2 - CFM Badger	1	532.50
7017979	5/8 X 1/2 - GPM Badger	1	532.50

**Remote Outside Meters - Badger**

7018895	ROM DC/RP CFM-B	1	1,451.00
7018896	ROM DC/RP GPM-B	1	1,451.00

ROM includes 10' wire.

**Sensor Connection Kits For Metal Air Gap with 2 Inch Female NPT Connection**

ORDERING CODE	KIT NO.	DESCRIPTION	LIST PRICE (EACH)
<b>Air Gap Flood Sensor Connection Kits</b>			
0834335	AG-FS-NPT2-BMS	BMS Sensor Connection Kit	887.00
0834336	AG-FS-NPT2-CEL	Cellular Sensor Connection Kit	1,775.00

ORDERING CODE	KIT NO.	SIZE	LIST PRICE
<b>Elbows</b>			
7012798	4000B Elbow	1/2", 3/4"	\$ 79.25
7012799	4000B Elbow	1", 1 1/4", 1 1/2"	86.00
7016586	4000B Elbow	2"	165.00

Kit includes: (2) Elbows, Nut, Bolts, Gaskets and Ring Gaskets.

**Elbow Kits for N & Z Pattern C200 & C300 Valves and Elbow Kits for N & Z Pattern M200 & M300 Valves**

7018541	Kit 6 Std. Elbow	6"	1,628.00
---------	------------------	----	----------

\*\*Kits not available for Butterfly valve units.

Kit includes: (2) GRV x GRV Elbows and (2) Groove Couplers

**Elbow Kits for N & Z Pattern C400 & C500 Valves**

<b>LEAD FREE</b>	7018546	Kit 4 Ported Elbow	4"	1,624.00
------------------	---------	--------------------	----	----------

\*\*Kits not available for Butterfly valve units.

ORDERING CODE	KIT NO.	SIZE	LIST PRICE	
<b>Test Cocks - Bronze</b>				
7017249	RK SAE-TC / Ames	1/8"	\$ 41.25	
7017250	TC / Ames	1/8"	57.25	
7017627	SAE-TC Adapter / Ames	1/4"	90.00	
<b>LEAD FREE</b>	0425362	LFSAE-TC / Ames	1/8"	90.25
	0425363	LFTC / Ames	1/4"	92.75
	7018394	TC for Colt/Maxim	1/2"	180.50
	7018395	TC for Colt/Maxim	3/4"	188.00

**In-Building Riser Gaskets**

<b>LEAD FREE</b>	7014421	In-Building Gasket - CIPS	4"	27.00
	7014422	In-Building Gasket - CIPS	6"	56.75
	7014423	In-Building Gasket - CIPS	8"	65.75
	7014424	In-Building Gasket - CIPS	10"	83.25

**Replacement "T" Handle Ball Valves for Series 2000B, 4000B & A200**

<b>LEAD FREE</b>	0425350	LFAFBV-TH	1/2"	95.25
	0425351	LFAFBV-TH	3/4"	152.00
	0425352	LFAFBV-TH	1"	238.50
	0425353	LFAFBV	1 1/4"	362.00
	0425354	LFAFBV	1 1/2"	463.50
	0425355	LFAFBV	2"	806.50
	0425356	LFAFBV-TC-TH	1/2"	107.00
	0425357	LFAFBV-TC-TH	3/4"	159.00
	0425358	LFAFBV-TC-TH	1"	249.00
	0425359	LFAFBV-TC-TH	1 1/4"	366.00
	0425360	LFAFBV-TC-TH	1 1/2"	468.00
	0425361	LFAFBV-TC-TH	2"	815.50

**Handle Kits**

7017597	HK FBV-F-AMES	1 1/4"	43.00
7017598	HK FBV-F-AMES	1 1/2"	43.00
7017600	HK FBV-E-F-AMES	1 1/4"	43.00

\*The wetted surface of this product contacted by consumable water contains less than 0.25% of lead by weight.

ORDERING CODE	KIT NO.	SIZE	LIST PRICE
<b>Replacement Gate Valves</b>			
7018670	Gate Valve OSY GRV x GRV	2 1/2"	\$ 1,397.00
7018671	Gate Valve OSY GRV x GRV	3"	1,537.00
7018672	Gate Valve OSY GRV x GRV	4"	1,864.00
7018673	Gate Valve OSY GRV x GRV	6"	2,967.00
7018674	Gate Valve OSY GRV x GRV	8"	5,015.00
7018675	Gate Valve OSY GRV x GRV	10"	7,945.00
7018676	Gate Valve NRS GRV x GRV	2 1/2"	1,074.00
7018677	Gate Valve NRS GRV x GRV	3"	1,137.00
7018678	Gate Valve NRS GRV x GRV	4"	1,452.00
7018679	Gate Valve NRS GRV x GRV	6"	2,301.00
7018680	Gate Valve NRS GRV x GRV	8"	3,658.00
7018681	Gate Valve NRS GRV x GRV	10"	5,103.00
7018688	Gate Valve PIV GRV x GRV	3"	1,964.00
7018689	Gate Valve PIV GRV x GRV	4"	1,964.00
7018690	Gate Valve PIV GRV x GRV	6"	3,056.00
7018691	Gate Valve PIV GRV x GRV	8"	8,439.00
7018692	Gate Valve PIV GRV x GRV	10"	13,579.00
7014773	Gate Valve OSY FLG x FLG	2 1/2"	1,397.00
7014774	Gate Valve OSY FLG x FLG	3"	1,537.00
7014777	Gate Valve OSY FLG x FLG	4"	1,831.00
7014778	Gate Valve OSY FLG x FLG	6"	2,910.00
7014779	Gate Valve OSY FLG x FLG	8"	4,919.00
7014780	Gate Valve OSY FLG x FLG	10"	7,794.00
7014775	Gate Valve NRS FLG x FLG	2 1/2"	1,074.00
7014776	Gate Valve NRS FLG x FLG	3"	1,115.00
A000704	Gate Valve NRS FLG x FLG	4"	1,452.00
A000705	Gate Valve NRS FLG x FLG	6"	2,301.00
A000706	Gate Valve NRS FLG x FLG	8"	3,658.00
A000707	Gate Valve NRS FLG x FLG	10"	5,103.00
7018792	Gate Valve PIV FLG x FLG	3"	1,964.00
7018793	Gate Valve PIV FLG x FLG	4"	1,964.00
7018794	Gate Valve PIV FLG x FLG	6"	3,384.00
7018795	Gate Valve PIV FLG x FLG	8"	9,344.00
7018772	Gate Valve PIV FLG x FLG	10"	13,579.00
7017999	Gate Valve OSY FLG x GRV	2 1/2"	1,397.00
7018000	Gate Valve OSY FLG x GRV	3"	1,537.00
7018001	Gate Valve OSY FLG x GRV	4"	1,864.00
7018002	Gate Valve OSY FLG x GRV	6"	2,967.00
7018003	Gate Valve OSY FLG x GRV	8"	5,015.00
7018687	Gate Valve OSY FLG x GRV	10"	7,794.00

ORDERING CODE	KIT NO.	SIZE	LIST PRICE
<b>Replacement Gate Valves (cont.)</b>			
7018004	Gate Valve NRS FLG x GRV	2 1/2"	\$ 1,074.00
7018005	Gate Valve NRS FLG x GRV	3"	1,137.00
7018006	Gate Valve NRS FLG x GRV	4"	1,452.00
7018007	Gate Valve NRS FLG x GRV	6"	2,301.00
7018008	Gate Valve NRS FLG x GRV	8"	3,658.00
consult factory	Gate Valve NRS FLG x GRV	10"	consult factory
7018768	Gate Valve PIV FLG x GRV	3"	1,964.00
7018769	Gate Valve PIV FLG x GRV	4"	1,964.00
7018770	Gate Valve PIV FLG x GRV	6"	3,384.00
7018771	Gate Valve PIV FLG x GRV	8"	9,344.00
7012920	Gate Valve Pack NRS FLG x FLG	2 1/2"	2,471.00
7012921	Gate Valve Pack NRS FLG x FLG	3"	2,597.00
7012922	Gate Valve Pack NRS FLG x FLG	4"	2,856.00
7012926	Gate Valve Pack NRS FLG x FLG	6"	3,845.00
7012929	Gate Valve Pack NRS FLG x FLG	8"	6,371.00
7012908	Gate Valve Pack OSY FLG x FLG	2 1/2"	2,623.00
7012909	Gate Valve Pack OSY FLG x FLG	3"	2,943.00
7012910	Gate Valve Pack OSY FLG x FLG	4"	3,235.00
7012927	Gate Valve Pack OSY FLG x FLG	6"	4,605.00
7012928	Gate Valve Pack OSY FLG x FLG	8"	7,055.00
Pack includes: 2 tapped gate valves, 1 test cock and nipple, flange gasket and bolts			
7018784	Gate Valve Pack OSY/PIV FLG x FLG	4"	4,232.00
7018785	Gate Valve Pack OSY/PIV FLG x FLG	6"	6,124.00
7018786	Gate Valve Pack OSY/PIV FLG x FLG	8"	13,655.00
7018787	Gate Valve Pack OSY/PIV FLG x FLG	10"	21,818.00
Pack includes: 1 flanged OSY, 1 flanged PIV, 1 test cock and nipple, flange gasket and bolts			
7014570	Handwheel OSY	2 1/2"	250.00
7014572	Handwheel OSY	3" & 4"	1,136.00
7014573	Handwheel OSY	6"	1,524.00
7014574	Handwheel OSY	8"	1,530.00
7014575	Handwheel OSY	10" & 12"	2,384.00
7014571	Handwheel NRS	2 1/2"	250.00
7014576	Handwheel NRS	3" & 4"	1,136.00
7014577	Handwheel NRS	6"	1,524.00
<b>Replacement Butterfly Valves (Grooved)</b>			
0702360	Butterfly Valve, 2.5 GRV Gear	2 1/2"	1,347.00
0702361	Butterfly Valve, 3 GRV Gear	3"	1,481.00
0702362	Butterfly Valve, 4 GRV Gear	4"	1,795.00
0702363	Butterfly Valve, 6 GRV Gear	6"	2,857.00
0702364	Butterfly Valve, 8 GRV Gear	8"	4,828.00
7018154	Butterfly Valve, 10 GRV Gear	10"	13,351.00

SIZE	MODEL	LESS METER ORDERING CODE	LIST PRICE	CUBIC FEET ORDERING CODE	LIST PRICE	GALLONS PER MINUTE ORDERING CODE	LIST PRICE
<b>Bypass Assemblies</b>							
4"	1000DCV EPOXY	7016892	\$863.00	7015274	\$1,366.00	7011188	\$ 1,341.00
6"	1000DCV EPOXY	7016893	1,034.00	7015275	1,542.00	7011189	1,511.00
8"	1000DCV EPOXY	7016894	1,341.00	7015276	1,855.00	7011190	1,818.00
10"	1000DCV EPOXY	7016960	1,406.00				
4"	1000SS	7016496	881.00	7015547	982.00	7015573	982.00
6"	1000SS	7016497	1,041.00	7015548	1,117.00	7015582	1,095.00
8"	1000SS	7016894	1,341.00	7015276	1,855.00	7011190	1,818.00
10"	1000SS	7016500	1,152.00	7016498	1,434.00	7016499	1,434.00
2"	3000B	N/A	—	7018664	2,828.00	7018665	2,828.00
2 1/2" – 4"	3000SS	7016191	1,646.00	7015539	2,335.00	7015554	2,289.00
6"	3000SS	7016192	2,020.00	7015540	2,531.00	7015555	2,485.00
8"	3000SS	7016194	1,726.00	7015542	2,531.00	7015557	2,531.00
10" & 12"	3000SS	7016193	1,731.00	7015541	2,627.00	7015556	2,627.00
2 1/2"	3000SE					7015558	2,160.00
6"	3000SE	7016198	1,653.00	7015546	2,435.00		
8"	3000SE	7016192	2,020.00	7015540	2,531.00	7015555	2,485.00
3"	3000CIV	N/A	—				
4"	3000CIV	N/A	—				
6"	3000CIV	N/A	—				
8"	3000CIV	N/A	—				
10"	3000CIV	N/A	—	7016396	2,497.00		
2 1/2" – 4"	5000SS	7016196	1,954.00	7015544	2,660.00	7015562	2,660.00
6"	5000SS	7016197	1,934.00	7015545	2,750.00	7015563	2,750.00
3"	5000CIV	N/A	—	7016400	2,710.00	7016405	2,710.00
4"	5000CIV	N/A	—	7016401	2,735.00	7016406	2,735.00
6"	5000CIV	N/A	—	7016402	2,828.00	7016407	2,828.00
8"	5000CIV	N/A	—	7016403	2,866.00	7016408	2,866.00
10"	5000CIV	N/A	—	7016404	3,015.00	7016409	3,015.00

Bypass Assemblies include: Bypass line, meter, backflow preventer, all associated piping and connections.



\*The wetted surface of this product contacted by consumable water contains less than 0.25% of lead by weight.

MODEL LESS METER	ORDERING CODE	LIST PRICE	MODEL CUBIC FEET	ORDERING CODE	LIST PRICE	MODEL GALLONS PER MINUTE	ORDERING CODE	LIST PRICE
<b>Hard Piped Bypass Assemblies (use on all straight pattern Colt and Maxim valves)</b>								
MF34 DCDA LM HARD	7018584	\$1,755.00	MF34 DCDA CFM HARD	7018583	\$1,798.00	MF34 DCDA GPM HARD	7018582	\$ 1,798.00
MF46 DCDA LM HARD	7018587	1,956.00	MF46 DCDA CFM HARD	7018586	2,098.00	MF46 DCDA GPM HARD	7018585	2,098.00
MF68 DCDA LM HARD	7018590	1,924.00	MF68 DCDA CFM HARD	7018589	4,070.00	MF68 DCDA GPM HARD	7018588	4,070.00
MF810 DCDA LM HARD	7018593	2,080.00	MF810 DCDA CFM HARD	7018592	4,070.00	MF810 DCDA GPM HARD	7018591	4,070.00
MF34 RPDA LM HARD	7018596	3,336.00	MF34 RPDA CFM HARD	7018595	3,175.00	MF34 RPDA GPM HARD	7018594	3,175.00
MF46 RPDA LM HARD	7018599	3,421.00	MF46 RPDA CFM HARD	7018598	3,335.00	MF46 RPDA GPM HARD	7018597	3,335.00
-	-	-	MF68 RPDA CFM HARD	7018601	3,548.00	MF68 RPDA GPM HARD	7018600	3,548.00
MF810 RPDA LM HARD	7018605	3,520.00	MF810 RPDA CFM HARD	7018604	3,650.00	MF810 RPDA GPM HARD	7018603	3,650.00
<b>Hard Piped Bypass Assemblies (use on all N-pattern Colt and Maxim Valves)</b>								
BYP, M/C 2.5-3 300N LM	-	-	BYP, M/C 2.5-3 300N CFM	-	-	BYP, M/C 2.5-3 300N GPM	-	-
BYP, M/C 2.5-3 500N LM	-	-	BYP, M/C 2.5-3 500N CFM	-	-	BYP, M/C 2.5-3 500N GPM	7018800	3,618.00
BYP, M/C 4 300N LM	-	-	BYP, M/C 4 300N CFM	-	-	BYP, M/C 4 300N GPM	7018804	3,044.00
BYP, M/C 4 500N LM	-	-	BYP, M/C 4 500N CFM	-	-	BYP, M/C 4 500N GPM	7018806	3,672.00
BYP, M/C 6-8 300N LM	-	-	BYP, M/C 6-8 300N CFM	7018813	3,227.00	BYP, M/C 6-8 300N GPM	7018814	3,227.00
BYP, M/C 6 500N LM	-	-	BYP, M/C 6 500N CFM	-	-	BYP, M/C 6 500N GPM	7018810	3,775.00
BYP, M/C 8-10 300N LM	-	-	BYP, M/C 8-10 300N CFM OSY	7018815	3,324.00	BYP, M/C 8-10 300N GPM OSY	7018816	3,324.00
BYP, M/C 8-10 500N LM	-	-	BYP, M/C 8-10 500N CFM	-	-	BYP, M/C 8-10 500N GPM	7018818	3,902.00
<b>Hard Piped Bypass Assemblies (use on all Z-pattern Colt and Maxim Valves)</b>								
BYP, M/C 2.5-3 500Z LM	-	-	BYP, M/C 2.5-3 500Z CFM	-	-	BYP, M/C 2.5-3 500Z GPM	7018802	3,726.00
BYP, M/C 4 500Z LM	7018826	3,291.00	BYP, M/C 4 500Z CFM	7018807	3,775.00	BYP, M/C 4 500Z GPM	7018808	3,775.00
BYP, M/C 6 500Z LM	-	-	BYP, M/C 6 500Z CFM	7018811	3,877.00	BYP, M/C 6 500Z GPM	7018812	3,877.00
BYP, M/C 8-10 500Z LM	-	-	BYP, M/C 8-10 500Z CFM	-	-	BYP, M/C 8-10 500Z GPM	-	-

<b>Hard Piped Bypass Sizing Chart for Colt/Maxim</b>		
	<b>Colt</b>	<b>Maxim</b>
MF34 =	2½", 3", 4"	2½", 3"
MF46 =	6"	4"
MF68 =	8"	6"
MF810 =	10"	8" - 10"























To locate your nearest Ames representative, please go to  
[AmesFireWater.com/Find\\_A\\_Rep](http://AmesFireWater.com/Find_A_Rep)

**Represented by:**



**A WATTS Brand**