

# Engineering Specification

Job Name \_\_\_\_\_  
 Job Location \_\_\_\_\_  
 Engineer \_\_\_\_\_  
 Approval \_\_\_\_\_

Contractor \_\_\_\_\_  
 Approval \_\_\_\_\_  
 Contractor's P.O. No. \_\_\_\_\_  
 Representative \_\_\_\_\_

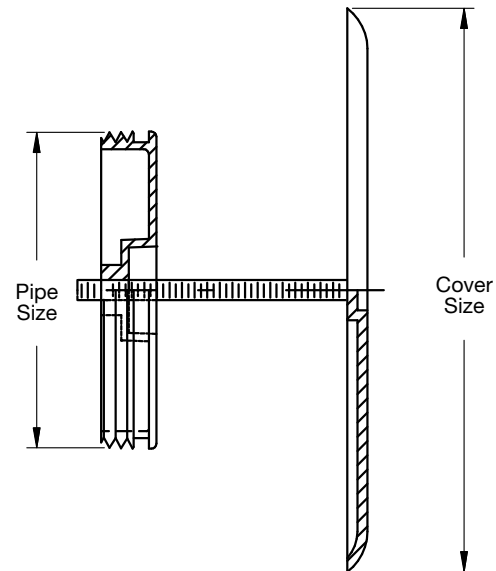
## CO-590-RD Wall Cleanout with Brass Plug, Stainless Steel Cover Specification

Watts CO-590-RD threaded brass cleanout plug with countersunk head, stainless steel access cover and vandal proof stainless steel screw.

Call customer service if you need assistance with technical details.



Pipe Size & Cover Size			
Suffix	Description	Suffix	Description
1 1/2"	1 1/2"(38) Pipe Size	5	5"(127) Cover Size
2	2"(51) Pipe Size	5	5"(127) Cover Size
3	3"(76) Pipe Size	7	7"(178) Cover Size
4	4"(102) Pipe Size	7	7"(178) Cover Size
5	5"(127) Pipe Size	8	8"(203) Cover Size
6	6"(152) Pipe Size	8	8"(203) Cover Size



### NOTICE

The information contained herein is not intended to replace the full product installation and safety information available or the experience of a trained product installer. You are required to thoroughly read all installation instructions and product safety information before beginning the installation of this product.

Watts product specifications in U.S. customary units and metric are approximate and are provided for reference only. For precise measurements, please contact Watts Technical Service. Watts reserves the right to change or modify product design, construction, specifications, or materials without prior notice and without incurring any obligation to make such changes and modifications on Watts products previously or subsequently sold.

