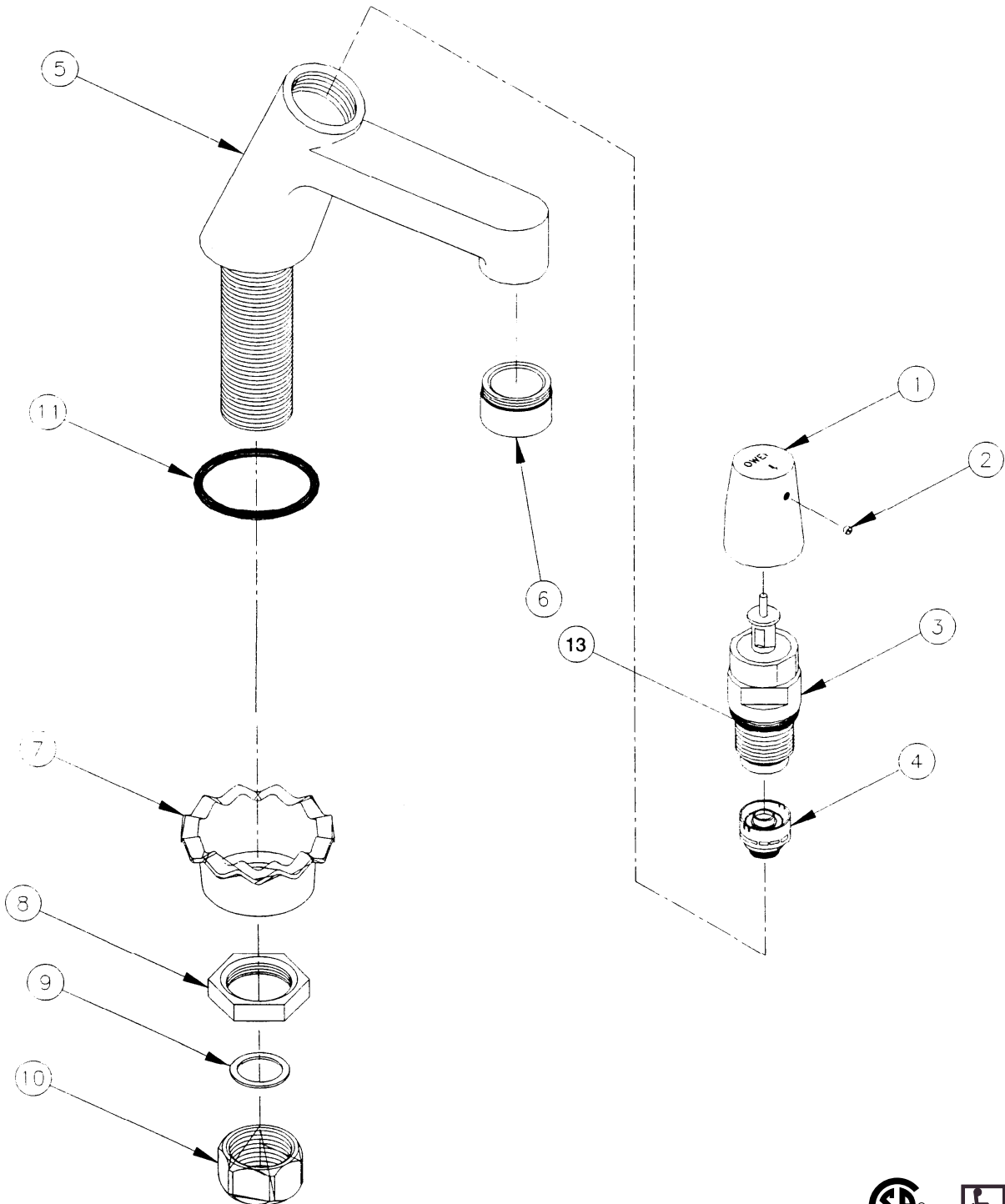


RESIDENTIAL LAVATORY FITTINGS P1805



SINGLE SHANK LAVATORY METERING FAUCET

ITEM	DESCRIPTION	ORDER CODE	QUANTITY
1	Handle	See Kit	—
2	Handle Button	See Kit	—
3	Cartridge	See Kit	—
4	Diaphragm/Filter	675-028	1
5	Body	N/A	—
6	Aerator	300911	1
7	Washer	See Kit	—
8	Locknut	See Kit	—
9	Friction Ring	See Kit	—
10	Union Nut	See Kit	—
11	“O”- Ring	084-028	1
12	Filter Wrench (not shown)	675035BP	5
13	“O”- Ring	675-033	10

REPAIR KITS

ITEM	DESCRIPTION	ORDER CODE	INCLUDED ITEMS AND QUANTITY
1	Handle Kit	675-026	1 (Qty: 1), 2 (Qty: 1 each Red & Blue)
2	Handle Button Kit	675-032	2 (Qty: 10 each Red & Blue)
3	Cartridge/Handle Kit	675-031	1, 2, 3, 4 & 13 (Qty: 1 each)
4	Hardware Kit	039551	7, 8, 9, 10 (Qty: 1 each)
5	Cartridge Kit	675-036	3, 4 & 13 (Qty: 1 each)

POWERS™
a division of Watts Water Technologies, Inc.

© 2005 Powers, a division of Watts Water Technologies, Inc.
USA Phone: 1.800.669.5430 • Fax 1.847.824.0627
Canada Phone: 1.888.208.8927 • Fax 1.888.882.1979
www.powerscontrols.com