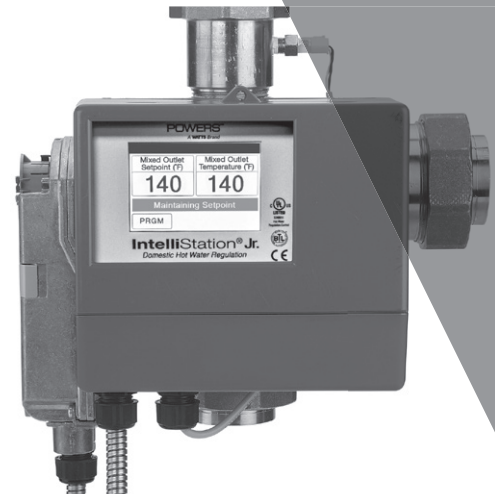
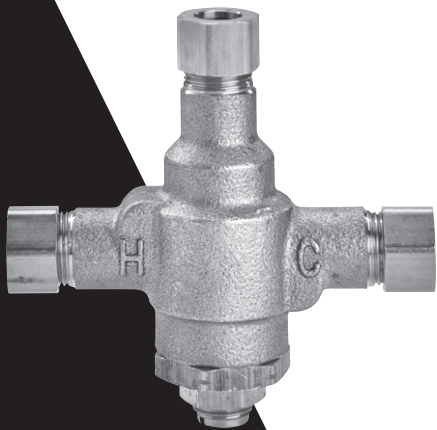
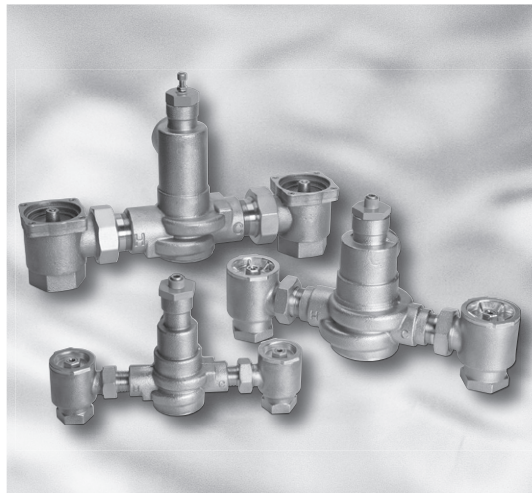


Price List

Leader in Water Tempering Technology Since 1891



Effective January 6, 2025

All prices supersede previous issues, are temporary and subject to change without notice.

Electronic is Green!

For the latest Powers pricing information in electronic format, visit our Data Exchange at:

www.wattswater.com/dataexchange

- Download product and list price data in .pdf
- Easy access to list price data for business systems
- Sign up for e-mail alerts when data is updated
- Access other Watts Water Technologies brands pricing data

A WATTS Brand

Standard Terms and Conditions of Sale	2-3	Accessories	
Pressure Balancing Valves		High Temperature Shutoff Device	33
Series 900 Biltmore®	4	Checkstops	33
Series PB410 HydroGuard®	6-7	Showerheads	33
Combination T/P Bath, Shower and Lavatory Valves		Institutional Showerheads	33
HydroGuard® T/P Series e700	5	Arm/Flange Kits	34
HydroGuard® T/P Series e423 Valves	9	Hand Showers	34
HydroGuard® T/P Series e420	8-9	Tub Spouts	35
HydroGuard® T/P Series e427/e428	10	Diverter	35
Thermostatic Lavatory Valves		Vacuum Breakers	35
HydroGuard® Series LFG480/LFE480	11	Volume Control Valves	35
HydroGuard® Series LFLM490/LFLM490-10	11	Dial Thermometers	35
HydroGuard® Series LFLM495	12	Metering Valve Shower	35
Thermostatic Master Mixing Valves		Self Operating Regulators	
HydroGuard® XP Series LFMM430 & Supply Fixtures	13-14	#11 Complete Regulators	36
HydroGuard® XP Series LFSH1430 & Supply Fixtures	15	#11 Lower Housing Assemblies	36
The Lead Free Tempering Re-circulation Loop	16	#11 Thermal Systems and Accessories	37
HydroGuard® XP Series LFMM430 & LFSH1430 HiLo Supply Fixtures ..	17	Flowrite® Valves and Accessories	
HydroGuard® XP High Capacity Systems Series LFSH1430	18	Heavy Duty Bronze Series Flowrite® Valves and Accessories	38-39
IntelliStation® 2		Heavy Duty Iron Series Flowrite® Valves and Accessories	40-41
Single & Multi-Valve Lead Free	19	Flowrite II Unmounted Valve Accessories	42
IntelliStation® 2S		Accritem® Controllers and Accessories	43
Single & Multi-Valve Lead Free	20-21	Parts	44-63
POWERSTATION™			
Single-Valve Lead Free	22		
Multi-Valve Lead Free	23		
Emergency Tempering Valves,			
HydroGuard® ES/ETV Series	24-25		
Hydropanel II Modular Systems			
With e700 Valves	26		
With 900, PB410 and e420 Valves	27-28		
HydroGuard® ESP™			
Showers	29		
Shower Systems (Hydropanel II ESP)	30		
Alarm Systems			
Lead Free Aqua Sentry® 2 Series LF460	31		
Thermostatic Specialty Valves			
Fotoguard	32		
Fotopanel	32		

Freight Terms: All prices are FOB factory. Full freight is allowed on shipments of \$2,500 or more within the continental U.S.A. Such allowance is based on the lowest motor carrier transportation rate. Terms for export shipment will be provided on request.

Terms of Sale: All sales are F.O.B. shipping point.

Payment Terms: Invoices are due and payable 30 days from the date of invoice.

Purchase Order Forms: Orders submitted on the Purchaser's own purchase order forms will be accepted only with the express understanding that no statements, clauses or conditions contained in said order form will be binding on the Seller if they in any way modify the Seller's own terms and conditions of sales.

Minimum Order Requirements: Minimum order requirements are \$200 net.

Special Products: Orders for special or modified products are non-cancelable. In the event that the customer cancels an order for such products, Watts shall charge the customer an amount equal to Watts' costs and expenses incurred in performing the purchase order prior to receipt of notice of cancellation.

Partial Shipment: The Seller reserves the right to make partial shipments from time to time and render invoices therefor which shall be due and payable in accordance with stated payment terms.

Delays: The Seller shall not be liable for any loss, damage, or delay occasioned by any causes beyond the Seller's control, including, but not limited to governmental actions or orders, embargoes, strikes, differences with workmen, fires, floods, accidents, or transportation delays.

Rejection of Shipments: If the Purchaser is unable or unwilling to accept any shipment, the Purchaser shall be liable to the Seller, in addition to any other rights to which the Seller may be entitled, for freight, express, storage, extra cost of handling, and other expenses incurred thereby.

Taxes: The amount of any present or future sales, use, occupancy, excise, or other tax, federal, state or local, which the Seller now, or hereafter shall be legally obligated to pay, either on its own behalf or on behalf of the Purchaser or otherwise, with respect to the material covered by this order or contract, shall (unless the prices contained herein are stated expressly to include such tax) be added to such prices and paid by the Purchaser. Purchaser agrees to report and pay any tax direct on non-exempt transaction, in case Seller's invoices do not indicate a charge therefor.

Limited Warranty: The Seller warrants each HydroGuard T/P e700 series valve to be free from defects in material and workmanship under normal usage for a period of one year from the date of original shipment. The Seller further warrants the internal tempering mechanism to be free from defects in material and workmanship under normal usage for a period of five years from the date of original shipment. The Seller warrants all other equipment manufactured by it to be free from defects in material and workmanship under normal usage for a period of one year from the date of original shipment. In the event of such defects within the applicable warranty period, the Seller will, at its option, repair or replace the product without charge.

The remedy described in the paragraph above shall constitute the sole and exclusive remedy for breach of warranty, and the Seller shall not be responsible for any incidental, special or consequential damages, including without limitation, lost profits or the cost of repairing or replacing other property which is damaged if the product does not work properly, damages or other costs resulting from labor charges, delays, vandalism, negligence, fouling caused by foreign material, damage from adverse water conditions, chemicals, decomposition by galvanic action, or any other circumstances over which the Seller has no control. This warranty shall be invalidated by any abuse, misuse, misapplication or improper installation of this product.

THE WARRANTY SET FORTH HEREIN IS GIVEN EXPRESSLY AND IS THE ONLY WARRANTY GIVEN BY THE SELLER WITH RESPECT TO THE PRODUCTS. THE SELLER MAKES NO OTHER WARRANTIES, EXPRESS OR IMPLIED. THE SELLER SPECIFICALLY DISCLAIMS ALL OTHER WARRANTIES, EXPRESS OR IMPLIED, INCLUDING BUT NOT LIMITED TO THE IMPLIED WARRANTIES OF MERCHANTABILITY AND FITNESS FOR A PARTICULAR PURPOSE.

Some states do not allow limitations on how long an implied warranty lasts, and some states do not allow the exclusion or limitation of incidental or consequential damages. Therefore the above limitations may not apply to you. This Limited Warranty gives you specific legal rights, and you may have other rights that vary from state to state. You should consult applicable laws to determine your rights. **SO FAR AS IS CONSISTENT WITH APPLICABLE STATE LAW, ANY IMPLIED WARRANTIES THAT MAY NOT BE DISCLAIMED, INCLUDING THE IMPLIED WARRANTIES OF MERCHANTABILITY AND FITNESS FOR A PARTICULAR PURPOSE, ARE LIMITED IN DURATION TO ONE YEAR FROM THE DATE OF ORIGINAL SHIPMENT.**

Purchaser's Remedies: IN NO EVENT SHALL THE SELLER BE LIABLE, IN CONTRACT, TORT, STRICT LIABILITY, OR UNDER ANY OTHER LEGAL THEORY, FOR INCIDENTAL, INDIRECT, SPECIAL OR CONSEQUENTIAL DAMAGES, REGARDLESS OF WHETHER IT WAS INFORMED OF THE POSSIBILITY OF SUCH DAMAGES, AND IN NO EVENT SHALL THE SELLER'S LIABILITY EXCEED AN AMOUNT EQUAL TO THE SALES PRICE OF THE PRODUCTS. THE FOREGOING LIMITATIONS SHALL APPLY TO THE FULLEST EXTENT PERMITTED BY LAW.

Shortage Claims: Claims for shortage or incorrect filling of orders must be made within 15 days from the date of delivery.

Return Goods Policy: No material shall be returned without authorization. When credit is issued it will be at the price charged, or prevailing price if lower, less handling charges based on costs of reconditioning, boxing, etc. However, a minimum 25% handling charge will apply. A minimum handling charge of \$20.00 is applied whenever the 25% handling deduction does not total \$20.00. Products which are obsolete or made to special order are not returnable.

Returned Material Procedure: Customer Service will provide a Return Material Authorization (RMA) number, which must be written on all shipping label(s) of the returned material. Material received without an RMA number may be refused and returned to the sender at the sender's expense. When calling or faxing to request an RMA number, the following information will be necessary:

- Seller invoice number and/or sales order number
- Seller part number
- Seller product description
- Quantity of material to be returned
- Reason for return—be specific
- All returns must be shipped freight prepaid

All returned material is subject to inspection by the Seller and should be returned in original unopened shipping cartons or suitably packed to prevent damage in transit.

Customer Support:

For Customer Service: (888) 432-8932; Monday through Friday, 8:00 AM to 5:00 PM EST.

For Technical Support: (888) 432-8932; Monday through Friday, 8:00 AM to 5:00 PM CST.

Note: Prices and terms are subject to change without notice and supersede all previous quotations. The Seller reserves the right to change or modify product design or construction without prior notice and without incurring any obligation to make such changes and modifications on products previously or subsequently sold. Weights are not guaranteed but are shown only for the Purchaser's reference.

Governing Law: These terms and conditions shall be governed by, construed, and enforced in accordance with the laws of the Commonwealth of Massachusetts, without giving effect to its choice of law rules. All disputes under these terms and conditions shall be resolved exclusively by courts located in the Commonwealth of Massachusetts.








Special order and non-standard material is non-cancelable and not returnable.

ALL MTO PRODUCTS ARE NON-RETURNABLE

A WATTS Brand

All Series 900 Pressure Balancing Mixing Valves include integral check/service stops, adjustable handle rotation limit stop, reversible inlets for back-to-back installation, four-port connections, and reliable poppet/diaphragm cartridge construction.



	Description	Order Code	Weight	List Price
P902  	SS faceplate, metal lever handle. CP finish.	P902H	3.2	\$562.60
	1/2" copper sweat connections	P902G	3.2	\$573.70
P905  	ABS faceplate with color-coded graphics, lever handle. CP finish.	P905H	3.0	\$414.90
	1/2" copper sweat connections	P905G	3.0	\$422.30
P909 	ABS faceplate with color-coded graphics, acrylic handle. CP finish.	P909H	3.0	\$515.20
	1/2" copper sweat connections	P909G	3.0	\$528.10
P910  	ABS faceplate with color-coded graphics, metal lever handle. CP finish.	P910H	3.0	\$533.30
	1/2" copper sweat connections	P910G	3.0	\$549.90

To order complete Series 900 systems:

P

Valves

See above for selection of valve order code

	List Price	Weight (lbs)	Order Code
Showerheads, Arm and flange			
Economizer, Chrome-Plated ABS, Arm & Flange	\$91.20	0.8	J1
Standard Chrome-Plated Brass, Arm & Flange	\$130.40	1.2	K1
Deluxe, Chrome Plated Brass, Arm and Flange	\$176.40	1.6	M1
Low Flow Shower (1.5gpm), Arm & Flange	\$244.00	2.8	G1
Low Flow Shower (1.5gpm), Arm & Flange	\$204.90	0.53	H1
Arm & Flange Only (no showerhead)	\$55.70	0.3	O1
Economizer, Arm & Flange & Hi-Temp Shut-Off	\$213.60	1.1	J4
Standard Arm & Flange & Hi-Temp Shut-Off	\$252.80	1.5	K4
Deluxe Arm & Flange & Hi-Temp Shut-Off	\$299.10	1.9	M4
Low Flow Shower (1.6 gpm), Arm & Flange & Hi-Temp Shut-Off	\$366.70	3.1	G4
Low Flow Shower (1.5 gpm), Arm & Flange & Hi-Temp Shut-Off	\$327.50	1.1	H4
Tub Spouts			
Non-Diverter, Chrome Plated 1/2" IPS	\$80.40	0.4	R
Diverter, Chrome Plated 1/2" IPS	\$96.30	0.7	S
Diverter, Chrome Plated 1/2" Slip-Fit	\$105.30	1.0	U
Hand Shower Systems			
24" Chrome ADA Wall Grab Bar System	\$786.20	4.7	1
36" Chrome ADA Wall Grab Bar System	\$809.30	5.5	2
Standard, Hand Spray Push Button, CP Plastic, 2.50 gpm, Wall Mount, 3-Position, 2/Kit	\$365.00	2.0	5
Standard, Hand Spray Push Button, CP Plastic, 2.50 gpm, Metal Hose, 24" Glide Rail	\$476.70	2.6	8
Standard, Hand Spray Push Button, CP Plastic, 1.80 gpm WaterSense®, Metal Hose, 24" Glide Rail	\$476.70	2.6	8WS
Standard, Hand Spray Push Button, CP Plastic, 2.50 gpm, Metal Hose, 30" Glide Rail	\$642.20	3.1	N
Standard, Hand Spray Push Button, CP Plastic, 1.80 gpm WaterSense®, Metal Hose, 30" Glide Rail	\$642.20	3.1	NWS
Professional, Hand Spray Push Button, White Plastic, 2.50 gpm, Metal Hose, 18" Glide Rail	\$490.90	2.5	P
Professional, Hand Spray Push Button, White Plastic, 2.50 gpm, Metal Hose, 24" Glide Rail	\$490.90	2.5	7
Professional, Hand Spray Push Button, White Plastic, 1.80 gpm WaterSense®, Metal Hose, 24" Glide Rail	\$768.40	2.5	7WS
Deluxe, Hand Spray 5 Setting, CP Plastic, 2.50 gpm, Metal Hose, 24" Glide Rail	\$768.40	3.2	6
Deluxe, Hand Spray 5 Setting, CP Plastic, 1.80 gpm WaterSense®, Metal Hose, 24" Glide Rail	\$919.70	3.2	6WS
Deluxe, Hand Spray 5 Setting, CP Plastic, 2.50 gpm, Metal Hose, 30" Glide Rail	\$919.70	3.3	3
Deluxe, Hand Spray 5 Setting, CP Plastic, 1.80 gpm WaterSense®, Metal Hose, 30" Glide Rail	\$746.00	3.3	3WS
Low Flow (1.5 gpm), Hand Spray Pause, 4 Setting, CP Plastic, Metal Hose, 24" Glide Rail, WaterSense®	\$845.00	3.2	M
Low Flow (1.5 gpm), Hand Spray Pause, 4 Setting, CP Plastic, Metal Hose, 30" Glide Rail, WaterSense®	\$804.70	3.3	L
Diverter			
Concealed Diverter Valve, 1/2" IPS, Metal Handle	\$395.10	3.0	Y
Diverter, Concealed, Deluxe ABS Handle	\$421.70	3.0	A
Diverter, Concealed, Deluxe Metal Handle	\$434.10	3.0	B
Exposed Diverter, Shower Arm-Type, Chrome-Plated	\$126.70	0.5	Z
Vacuum Breakers			
Vacuum Breaker, Elevated, Chrome-Plated	\$555.00	2.0	V
Vacuum Breaker, In-Line	\$85.70	1.0	W

A WATTS Brand

All e700 Series valves feature advanced thermal actuators, adjustable handle rotation limit stop, integral checkstops, metal or ABS trim and 1/2" sweat connections. The e700 Series meets American with Disabilities Act (ADA) requirements.

5-year Limited Warranty.



e705



e707



e710

Valves

ABS Trim	\$661.20	3.5	e705
Metal Trim	\$706.90	3.5	e710
Euro Trim	\$765.20	3.5	e707

Showerheads

Economizer, Chrome-Plated ABS, Adjustable	\$36.00	0.5	J
Standard, Chrome-Plated Brass	\$75.00	0.9	K
Deluxe, Chrome-Plated Brass	\$121.00	1.3	M
Low Flow (1.5 gpm), Chrome-Plated	\$188.70	2.5	G
Low Flow (1.5 gpm), Chrome-Plated	\$149.80	0.5	H

Arm and Flange Kits

Standard Arm and Flange	\$55.70	0.3	1
Deluxe Arm and Flange	\$85.70	0.4	2
Standard Arm/Flange & Hi-Temp. Shut-Off	\$178.10	0.6	4
Deluxe Arm/Flange & Hi-Temp. Shut-Off	\$210.20	0.7	5

Tub Spouts

Diverter, Chrome-Plated Brass, 3/4" IPS	\$180.00	1.2	Q
Non-Diverter, Chrome-Plated, 1/2" IPS	\$80.40	0.4	R
Diverter, Chrome-Plated, 1/2" IPS	\$96.30	0.7	S
Diverter, Chrome-Plated Brass, 1/2" IPS	\$165.70	1.3	T
Diverter, Chrome-Plated, 1/2" Slip-fit	\$105.30	1.0	U

Hand Shower Systems

24" Chrome ADA Wall Grab Bar System	\$786.20	4.7	1
36" Chrome ADA Wall Grab Bar System	\$809.30	5.5	2
Standard, Hand Spray Push Button, CP Plastic, 2.50 gpm, Wall Mount, 3-Position, 2/Kit	\$365.00	2.0	5
Standard, Hand Spray Push Button, CP Plastic, 2.50 gpm, Metal Hose, 24" Glide Rail	\$476.70	2.6	8
Standard, Hand Spray Push Button, CP Plastic, 1.80 gpm WaterSense®, Metal Hose, 24" Glide Rail	\$476.70	2.6	8WS
Standard, Hand Spray Push Button, CP Plastic, 2.50 gpm, Metal Hose, 30" Glide Rail	\$642.20	3.1	N
Standard, Hand Spray Push Button, CP Plastic, 1.80 gpm WaterSense®, Metal Hose, 30" Glide Rail	\$642.20	3.1	NWS
Professional, Hand Spray Push Button, White Plastic, 2.50 gpm, Metal Hose, 18" Glide Rail	\$490.90	2.5	P
Professional, Hand Spray Push Button, White Plastic, 2.50 gpm, Metal Hose, 24" Glide Rail	\$467.50	2.5	7
Professional, Hand Spray Push Button, White Plastic, 1.80 gpm WaterSense®, Metal Hose, 24" Glide Rail	\$490.90	2.5	7WS
Deluxe, Hand Spray 5 Setting, CP Plastic, 2.50 gpm, Metal Hose, 24" Glide Rail	\$768.40	3.2	6
Deluxe, Hand Spray 5 Setting, CP Plastic, 1.80 gpm WaterSense®, Metal Hose, 24" Glide Rail	\$768.40	3.2	6WS
Deluxe, Hand Spray 5 Setting, CP Plastic, 2.50 gpm, Metal Hose, 30" Glide Rail	\$919.70	3.3	3
Deluxe, Hand Spray 5 Setting, CP Plastic, 1.80 gpm WaterSense®, Metal Hose, 30" Glide Rail	\$919.70	3.3	3WS
Low Flow (1.5 gpm), Hand Spray Pause, 4 Setting, CP Plastic, Metal Hose, 24" Glide Rail, WaterSense®	\$746.00	3.2	M
Low Flow (1.5 gpm), Hand Spray Pause, 4 Setting, CP Plastic, Metal Hose, 30" Glide Rail, WaterSense®	\$845.00	3.3	L

Diverter

Concealed Diverter Valve, 1/2" IPS, Metal Handle	\$395.10	3.0	Y
Diverter, Concealed, Deluxe ABS Handle	\$421.70	3.0	A
Diverter, Concealed, Deluxe Metal Handle	\$434.10	3.0	B
Exposed Diverter, Shower Arm-Type, Chrome-Plated	\$126.70	0.5	Z

Vacuum Breakers

Vacuum Breaker, Elevated, Chrome-Plated	\$555.00	2.0	V
Vacuum Breaker, In-Line	\$85.70	1.0	W



List Price	Weight (lbs)	Order Code
\$661.20	3.5	e705
\$706.90	3.5	e710
\$765.20	3.5	e707
\$36.00	0.5	J
\$75.00	0.9	K
\$121.00	1.3	M
\$188.70	2.5	G
\$149.80	0.5	H
\$55.70	0.3	1
\$85.70	0.4	2
\$178.10	0.6	4
\$210.20	0.7	5
\$180.00	1.2	Q
\$80.40	0.4	R
\$96.30	0.7	S
\$165.70	1.3	T
\$105.30	1.0	U
\$786.20	4.7	1
\$809.30	5.5	2
\$365.00	2.0	5
\$476.70	2.6	8
\$476.70	2.6	8WS
\$642.20	3.1	N
\$642.20	3.1	NWS
\$490.90	2.5	P
\$467.50	2.5	7
\$490.90	2.5	7WS
\$768.40	3.2	6
\$768.40	3.2	6WS
\$919.70	3.3	3
\$919.70	3.3	3WS
\$746.00	3.2	M
\$845.00	3.3	L
\$395.10	3.0	Y
\$421.70	3.0	A
\$434.10	3.0	B
\$126.70	0.5	Z
\$555.00	2.0	V
\$85.70	1.0	W

	Order Code	Weight	List Price
Biltmore™ Series 900 Accessories/Parts			
Thin Wall Installation	900 119	0.3	\$53.70
Remodeling Plate, Stainless Steel, Polished Chrome	900121D	1.0	\$105.60
Vandal-Resistant Screw Kit*	900 034	0.11	\$49.60

*Parts discount applies

Series PB410 HydroGuard® Pressure Balancing Valves

The series PB410 HydroGuard® features heavy, cast brass construction, a poppet type equalizing valve which offers a distinct advantage: it will not stick because of lime build-up or foreign particles in the supplies. The adjustable metal-to-metal temperature limit stop prevents accidental scalding caused by our adjustment of the handle. It also features integral checkstops, back to back and shallow installation. PB410 series is listed to ASSE 1016-P and certified to CSA B125 standard.



Model PB413000000

	Order Code	Weight	List Price
3 Port	PB413	4.0	\$1,071.00
4 Port	PB417	4.6	\$1,071.00

	Order Code	Weight	List Price
--	------------	--------	------------

Series PB410 Accessories/Parts

Thin Wall Installation Accessory	800 100	0.3	\$53.70
Stem Extension Accessory*	410 233	0.3	\$53.00
Vandal-Resistant Screw Kit*	420 267	0.3	\$18.60
Remodeling Plate, Stainless Steel. Polished Chrome	900121D	1.0	\$99.10

*Parts discount applies



To order complete Series PB410 systems...

Port

3 Port
4 Port

List Price	Weight (lbs)	Order Code
\$1,071.00	4.0	PB413
\$1,071.00	4.6	PB417

Showerheads

Economizer, Chrome-Plated ABS, Adjustable
Standard, Chrome-Plated Brass
Deluxe, Chrome-Plated Brass
Low Flow (1.5 gpm) (Chrome-Plated)
Low Flow (1.5 gpm) (Chrome-Plated)

\$36.00	0.5	J
\$75.00	0.9	K
\$121.00	1.3	M
\$188.70	2.5	G
\$149.80	0.5	H

Arm and Flange Kits

Standard Arm and Flange
Deluxe Arm and Flange
Standard Arm/Flange & High Temp. Shut-Off
Deluxe Arm/Flange & High Temp. Shut-Off

\$55.70	0.3	1
\$85.70	0.4	2
\$178.10	0.6	4
\$210.20	0.7	5

Tub Spouts

Diverter, Chrome-Plated Brass, 3/4" IPS
Non-Diverter, Chrome-Plated, 1/2" IPS
Diverter, Chrome-Plated, 1/2" IPS
Diverter, Chrome-Plated Brass, 1/2" IPS
Diverter, Chrome-Plated, 1/2" Slip-fit

\$180.00	1.2	Q
\$80.40	0.4	R
\$96.30	0.7	S
\$165.70	1.3	T
\$105.30	1.0	U

Hand Shower Systems

24" Chrome ADA Wall Grab Bar System
36" Chrome ADA Wall Grab Bar System
Standard, Hand Spray Push Button, CP Plastic, 2.50 gpm, Wall Mount, 3-Position, 2/Kit
Standard, Hand Spray Push Button, CP Plastic, 2.50 gpm, Metal Hose, 24" Glide Rail
Standard, Hand Spray Push Button, CP Plastic, 1.80 gpm WaterSense®, Metal Hose, 24" Glide Rail
Standard, Hand Spray Push Button, CP Plastic, 2.50 gpm, Metal Hose, 30" Glide Rail
Standard, Hand Spray Push Button, CP Plastic, 1.80 gpm WaterSense®, Metal Hose, 30" Glide Rail
Professional, Hand Spray Push Button, White Plastic, 2.50 gpm, Metal Hose, 18" Glide Rail
Professional, Hand Spray Push Button, White Plastic, 2.50 gpm, Metal Hose, 24" Glide Rail
Professional, Hand Spray Push Button, White Plastic, 1.80 gpm WaterSense®, Metal Hose, 24" Glide Rail
Deluxe, Hand Spray 5 Setting, CP Plastic, 2.50 gpm, Metal Hose, 24" Glide Rail
Deluxe, Hand Spray 5 Setting, CP Plastic, 1.80 gpm WaterSense®, Metal Hose, 24" Glide Rail
Deluxe, Hand Spray 5 Setting, CP Plastic, 2.50 gpm, Metal Hose, 30" Glide Rail
Deluxe, Hand Spray 5 Setting, CP Plastic, 1.80 gpm WaterSense®, Metal Hose, 30" Glide Rail
Low Flow (1.5 gpm), Hand Spray Pause, 4 Setting, CP Plastic, Metal Hose, 24" Glide Rail, WaterSense®
Low Flow (1.5 gpm), Hand Spray Pause, 4 Setting, CP Plastic, Metal Hose, 30" Glide Rail, WaterSense®

\$786.20	4.7	1
\$809.30	5.5	2
\$365.00	2.0	5
\$476.70	2.6	8
\$476.70	2.6	8WS
\$642.20	3.1	N
\$642.20	3.1	NWS
\$490.90	2.5	P
\$490.90	2.5	7
\$490.90	2.5	7WS
\$768.40	3.2	6
\$768.40	3.2	6WS
\$919.70	3.3	3
\$919.70	3.3	3WS
\$746.00	3.2	M
\$845.00	3.3	L

Diverter

Concealed Diverting Valve, 1/2" IPS, Metal Handle
Diverter, Concealed, Deluxe ABS Handle
Diverter, Concealed, Deluxe Metal Handle
Exposed Diverter, Shower Arm-Type, Chrome-Plated

\$395.10	3.0	Y
\$421.70	3.0	A
\$434.10	3.0	B
\$126.70	0.5	Z

Vacuum Breakers

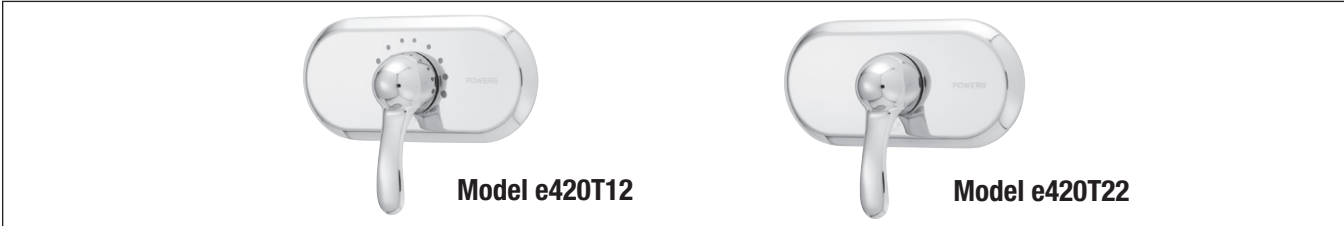
Vacuum Breaker, Elevated, Chrome-Plated
Vacuum Breaker, in-Line

\$555.00	2.0	V
\$85.70	1.0	W

A WATTS Brand

HydroGuard® T/P Series e420 Valves

All HydroGuard T/P® shower valves feature advanced thermal actuator compensate for both temperature and pressure fluctuations. A built-in adjustable metal-to-metal mixing valve features advanced thermal actuator, adjustable limit stop reduces chance of accidental scalding due to the over adjustment of handle. Heavy cast brass body, integral checkstop, durable brass faceplate, lever-type handles, and corrosion-resistant material provide years of trouble-free service. ASSE 1016 T/P listed and CSA B125 certified.



4 Ports concealed valves, 1/2" NPT inlets/outlets

	Order Code	Weight	List Price
Color coded trim plate, Dome handle	e420T12	5.5	\$1,424.00
Etched trim plate, Dome handle	e420T22	5.5	\$1,424.00

4 Ports concealed valves, 1/2" Sweat inlets/outlets

	Order Code	Weight	List Price
Color coded trim plate, Dome handle	e420S12	5.5	\$1,424.00
Etched trim plate, Dome handle	e420S22	5.5	\$1,424.00

Series e423 Thermostatic Valve

HydroGuard Series e423 Valves

Exposed thermostatic water mixing valve features advance thermal actuator, adjustable limit stop, polished chrome-plated lever handle and mounting bracket. ASSE 1016, CSA



Model e423320



Valve	List Price	Weight	Order Code	
e42332	\$1,592.00	5.3	e423	e 4 2 3 3 2
Checkstops (Sold in Pairs)				
Straight, 1/2" IPS, Polished Chrome	\$457.30	1.0	B	
Angled with Strainer, 1/2" IPS, Polished Chrome	\$652.90	2.4	F	
Factory installation of checkstops (add suffix "X" to checkstop code) Min. order 10	\$652.90	---	X	

A WATTS Brand

	List Price	Weight (lbs)	Order Code	e420
Connections				
1/2" NPT Inlets/Outlets	\$1,424.00	5.0	T	□
1/2" Sweat Inlets/Outlets	\$1,424.00	5.0	S	□
Trim Plate				
Color Coded	N/C	—	1	□
Etched	N/C	—	2	□
Handle				
Dome	N/C	—	2	□
Showerheads				
Economizer, Chrome-Plated ABS, Adjustable	\$36.00	0.5	J	□
Standard, Chrome-Plated Brass	\$75.00	0.9	K	□
Deluxe, Chrome-Plated Brass	\$121.00	1.3	M	□
Low Flow (1.5 gpm), Chrome-Plated	\$188.70	2.5	G	□
Low Flow (1.5 gpm), Chrome-Plated	\$149.80	0.5	H	□
Arm & Flange Kits				
Standard Arm & Flange	\$55.70	0.3	1	□
Deluxe Arm & Flange	\$85.70	0.4	2	□
Standard Arm/Flange & High Temp. Shut-Off	\$178.10	0.6	4	□
Deluxe Arm/Flange & High Temp. Shut-Off	\$210.20	0.7	5	□
Tub Spouts				
Diverter, Chrome-Plated Brass, 3/4" IPS	\$180.00	1.2	Q	□
Non-Diverter, Chrome-Plated, 1/2" IPS	\$80.40	0.4	R	□
Diverter, Chrome-Plated, 1/2" IPS	\$96.30	0.7	S	□
Diverter, Chrome-Plated Brass, 1/2" IPS	\$165.70	1.3	T	□
Diverter, Chrome-Plated, 1/2" Slip-fit	\$105.30	1.0	U	□
Hand Shower Systems				
24" Chrome ADA Wall Grab Bar System	\$786.20	4.7	1	□
36" Chrome ADA Wall Grab Bar System	\$809.30	5.5	2	□
Standard, Hand Spray Push Button, CP Plastic, 2.50 gpm, Wall Mount, 3-Position, 2/Kit	\$365.00	2.0	5	□
Standard, Hand Spray Push Button, CP Plastic, 2.50 gpm, Metal Hose, 24" Glide Rail	\$476.70	2.6	8	□
Standard, Hand Spray Push Button, CP Plastic, 1.80 gpm WaterSense®, Metal Hose, 24" Glide Rail	\$476.70	2.6	8WS	□
Standard, Hand Spray Push Button, CP Plastic, 2.50 gpm, Metal Hose, 30" Glide Rail	\$642.20	3.1	N	□
Standard, Hand Spray Push Button, CP Plastic, 1.80 gpm WaterSense®, Metal Hose, 30" Glide Rail	\$642.20	3.1	NWS	□
Professional, Hand Spray Push Button, White Plastic, 2.50 gpm, Metal Hose, 18" Glide Rail	\$490.90	2.5	P	□
Professional, Hand Spray Push Button, White Plastic, 2.50 gpm, Metal Hose, 24" Glide Rail	\$490.90	2.5	7	□
Professional, Hand Spray Push Button, White Plastic, 1.80 gpm WaterSense®, Metal Hose, 24" Glide Rail	\$490.90	2.5	7WS	□
Deluxe, Hand Spray 5 Setting, CP Plastic, 2.50 gpm, Metal Hose, 24" Glide Rail	\$768.40	3.2	6	□
Deluxe, Hand Spray 5 Setting, CP Plastic, 1.80 gpm WaterSense®, Metal Hose, 24" Glide Rail	\$768.40	3.2	6WS	□
Deluxe, Hand Spray 5 Setting, CP Plastic, 2.50 gpm, Metal Hose, 30" Glide Rail	\$919.70	3.3	3	□
Deluxe, Hand Spray 5 Setting, CP Plastic, 1.80 gpm WaterSense®, Metal Hose, 30" Glide Rail	\$919.70	3.3	3WS	□
Low Flow (1.5 gpm), Hand Spray Pause, 4 Setting, CP Plastic, Metal Hose, 24" Glide Rail, WaterSense®	\$746.00	3.2	M	□
Low Flow (1.5 gpm), Hand Spray Pause, 4 Setting, CP Plastic, Metal Hose, 30" Glide Rail, WaterSense®	\$845.00	3.3	L	□
Diverter				
Concealed Diverter Valve, 1/2" IPS, Metal Handle	\$395.10	3.0	Y	□
Diverter, Concealed, Deluxe ABS Handle	\$421.70	3.0	A	□
Diverter, Concealed, Deluxe Metal Handle	\$434.10	3.0	B	□
Exposed Diverter, Shower Arm-Type, Chrome-Plated	\$126.70	0.5	Z	□
Vacuum Breakers				
Vacuum Breaker, Elevated, Chrome-Plated	\$555.00	2.0	V	□
Vacuum Breaker, In-Line	\$85.70	1.0	W	□

A WATTS Brand

e427/e428 HydroGuard® Shower valves features advanced thermal actuator, adjustable handle rotation limit stop, stainless steel dial plate with concealed mounting screws, and color coded temperature graphics. ASSE 1016 listed CSA certified.



Model e427

Model e428



Valves
Concealed
Exposed

Chrome-Plated

List Price	Weight (lbs)	Order Code
\$1,825.00	5.8	e427*
\$1,825.00	5.7	e428*

Checkstops (Sold in Pairs)

- Concealed** Straight, 1/2" IPS
 Straight, 1/2" Sweat
 Angled, 1/2" Sweat
 Angled, with Strainer, 1/2" IPS
Exposed Straight, 1/2" IPS, Chrome-Plated
 Angled, with Strainer, 1/2" IPS, Chrome-Plated

\$155.10	1.1	A
\$155.10	1.1	C
NLA	1.3	D
\$418.20	2.5	E
NLA	1.0	B
\$652.90		
\$96.30	2.4	F

Factory installation of checkstops
 (Add suffix "X" to checkstop code) Min. order 10

\$90.90	—	X
---------	---	---

Showerheads

- Economizer, Chrome-Plated ABS, Adjustable
 Standard, Chrome-Plated Brass
 Deluxe, Chrome-Plated Brass
 Low Flow (1.5 gpm), Chrome-Plated
 Low Flow (1.5 gpm), Chrome-Plated

\$36.00	0.5	J
\$75.00	0.9	K
\$121.00	1.3	M
\$188.70	2.5	G
\$149.80	0.5	H

Arm and Flange Kits

- Standard Arm and Flange
 Deluxe Arm and Flange
 Standard Arm/Flange & High Temp. Shut-Off
 Deluxe Arm/Flange & High Temp. Shut-Off

\$55.70	0.3	1
\$85.70	0.4	2
\$178.10	0.6	4
\$210.20	0.7	5

Tub Spouts

- Diverter, Chrome-Plated Brass, 3/4" IPS
 Non-Diverter, Chrome-Plated, 1/2" IPS
 Diverter, Chrome-Plated, 1/2" IPS
 Diverter, Chrome-Plated Brass, 1/2" IPS
 Diverter, Chrome-Plated, 1/2" Slip-fit

\$180.00	1.2	Q
\$80.40	0.4	R
\$96.30	0.7	S
\$165.70	1.3	T
\$105.30	1.0	U

Hand Shower Systems

- 24" Chrome ADA Wall Grab Bar System
 36" Chrome ADA Wall Grab Bar System
 Standard, Hand Spray Push Button, CP Plastic, 2.50 gpm, Wall Mount, 3-Position, 2/Kit
 Standard, Hand Spray Push Button, CP Plastic, 2.50 gpm, Metal Hose, 24" Glide Rail
 Standard, Hand Spray Push Button, CP Plastic, 1.80 gpm WaterSense®, Metal Hose, 24" Glide Rail
 Standard, Hand Spray Push Button, CP Plastic, 2.50 gpm, Metal Hose, 30" Glide Rail
 Standard, Hand Spray Push Button, CP Plastic, 1.80 gpm WaterSense®, Metal Hose, 30" Glide Rail
 Professional, Hand Spray Push Button, White Plastic, 2.50 gpm, Metal Hose, 18" Glide Rail
 Professional, Hand Spray Push Button, White Plastic, 2.50 gpm, Metal Hose, 24" Glide Rail
 Professional, Hand Spray Push Button, White Plastic, 1.80 gpm WaterSense®, Metal Hose, 24" Glide Rail
 Deluxe, Hand Spray 5 Setting, CP Plastic, 2.50 gpm, Metal Hose, 24" Glide Rail
 Deluxe, Hand Spray 5 Setting, CP Plastic, 1.80 gpm WaterSense®, Metal Hose, 24" Glide Rail
 Deluxe, Hand Spray 5 Setting, CP Plastic, 2.50 gpm, Metal Hose, 30" Glide Rail
 Deluxe, Hand Spray 5 Setting, CP Plastic, 1.80 gpm WaterSense®, Metal Hose, 30" Glide Rail
 Low Flow (1.5 gpm), Hand Spray Pause, 4 Setting, CP Plastic, Metal Hose, 24" Glide Rail, WaterSense®
 Low Flow (1.5 gpm), Hand Spray Pause, 4 Setting, CP Plastic, Metal Hose, 30" Glide Rail, WaterSense®

\$786.20	4.7	1
\$809.30	5.5	2
\$365.00	2.0	5
\$476.70	2.6	8
\$476.70	2.6	8WS
\$642.20	3.1	N
\$642.20	3.1	NWS
\$490.90	2.5	P
\$467.50	2.5	7
\$490.90	2.5	7WS
\$768.40	3.2	6
\$768.40	3.2	6WS
\$919.70	3.3	3
\$919.70	3.3	3WS
\$746.00	3.2	M
\$845.00	3.3	L

Diverter

- Concealed Diverting Valve, 1/2" IPS, Metal Handle
 Diverter, Concealed, Deluxe ABS Handle
 Diverter, Concealed, Deluxe Metal Handle
 Exposed Diverter, Shower Arm-Type, Chrome-Plated

\$395.10	3.0	Y
\$421.70	3.0	A
\$434.10	3.0	B
\$126.70	0.5	Z

Vacuum Breakers

- Vacuum Breaker, Elevated, Chrome-Plated
 Vacuum Breaker, In-Line

\$555.00	2.0	V
\$85.70	1.0	W

*For Shower or Bath only application. Not suitable for Combination Bath & Shower application

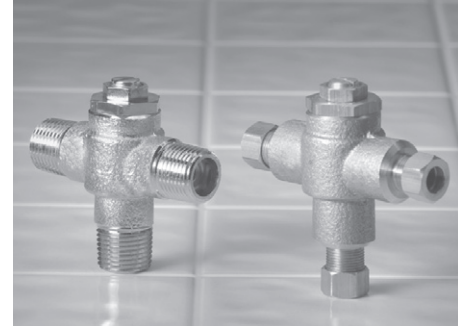
A WATTS Brand

LEAD FREE*

HydroGuard® Series LFG480/LFE480 Lavatory Thermostatic Mixing Valves

Under the counter thermostatic mixer for lavatory applications.

ASSE 1070, cUPC, and NSF 61-9 & 372 listed. Integral checks. Solid brass construction. Adjustable temperature with locking feature.



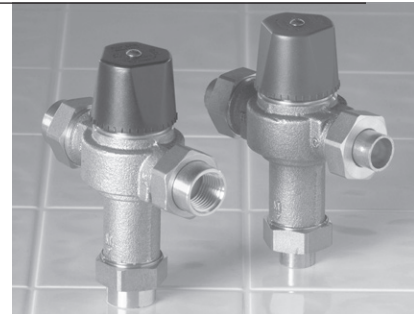
Description	Order Code	Weight	List Price
1/2" NPT inlets and outlet, Minimum Flow 0.25gpm	LFG480-00Q	1.00	\$460.30
1/2" NPT inlets and outlet, Minimum Flow 0.25gpm, Chrome Plated	LFG480-01Q	1.00	\$538.00
3/8" Compression inlets & outlet, Minimum Flow 0.25gpm	LFG480-10Q	1.00	\$460.30
3/8" Compression inlets & outlet, Minimum Flow 0.25gpm, Chrome Plated	LFG480-11Q	1.00	\$538.00
3/8" Quick Connect, Minimum Flow 0.25gpm	LFG480-50	1.10	NLA
3/8" Quick Connect, Minimum Flow 0.25gpm, Chrome plated	LFG480-51	1.10	NLA
1/2" NPT inlets and outlet, Minimum Flow 0.5gpm	LFE480-00Q	1.00	\$460.30
1/2" NPT inlets & outlet, Chrome Plated, Minimum Flow 0.5gpm	LFE480-01Q	1.00	\$538.00
3/8" Compression inlets & outlet, Minimum Flow 0.5gpm	LFE480-10Q	1.00	\$460.30
3/8" Compression inlets & outlet, Chrome Plated, Minimum Flow 0.5gpm	LFE480-11Q	1.00	\$538.00
3/8" Quick Connect, Minimum Flow 0.5gpm	LFe480-50	1.08	NLA
3/8" Quick Connect, Chrome Plated, Minimum Flow 0.5gpm	LFe480-51	1.06	NLA

LEAD FREE*

HydroGuard® Series LFLM490

HydroGuard® Series LFLM490 Thermostatic Mixing Valves for Hot Water Heaters

All HydroGuard Series LFLM490 Valves feature advanced thermal actuator, adjustable lock-in handle design, solid brass construction and integral check valves and screens. ASSE 1017 Certified, IAPMO cUPC Certified and approved to CSA B125.3, NSF/ANSI/CAN 61 & NSF/ANSI/CAN 372 Certified.



Temperature Range 90° - 160°F (32° - 71°C) **Model LFLM49**

Temperature Range 60° - 120°F (16° - 49°C) **Model LFLM49** -10

Valve	List Price	Weight	Order Code
1/2".....	\$460.30	1.8	0
3/4".....	\$538.00	2.3	1
1".....	\$460.30	2.9	2
Inlets/Outlets			
Union NPT Female.....	N/C	—	1
Union Sweat.....	N/C	—	2
Union CPVC.....	N/C	—	3
Union PEX.....	N/C	—	4
**Union PEX F1960 (CEF).....	N/C	—	6
Quick-Connect			
1/2".....	\$87.40	—	5
3/4".....	\$126.60	—	5
1".....	\$147.40	—	5
With Press			
1/2".....	\$105.30	—	1-w/Press
3/4".....	\$124.90	—	1-w/Press
1".....	\$202.40	—	1-w/Press

**For sizes 1/2" and 3/4" standard temperature range only

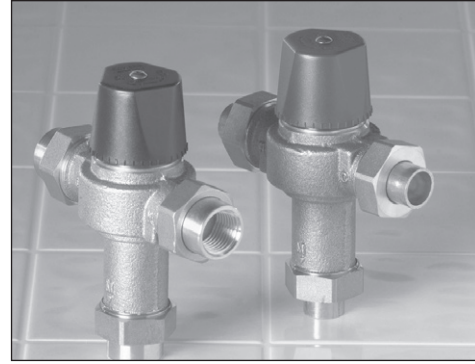
*The wetted surface of this product contacted by consumable water contains less than 0.25% of lead by weight.

A WATTS Brand

LEAD FREE

HydroGuard® Series LFLM495 Thermostatic Mixing Valves for Individual Lavatory Installations

All HydroGuard® Series LFLM495 valves feature advanced thermal actuator, adjustable lock-in handle design, solid brass construction and integral check valves and screens. ASSE 1017, ASSE 1069, ASSE 1070 Certified, IAPMO cUPC Certified and Approved to CSA B125.3 and CSA B125.70, NSF/ANSI/CAN 61 & NSF/ANSI/CAN 372 Certified.



Model LFLM49 -

**Temperature Range 80° - 120° F
(27° - 49° C)**

Valve	List Price	Weight	Order Code
1/2".....	\$505.60	1.8	5
3/4".....	\$638.30	2.3	6
1".....	\$751.60	2.9	7
Inlets/Outlets			
Union NPT Female.....	N/C	—	1
Union Sweat.....	N/C	—	2
Union CPVC.....	N/C	—	3
Union PEX.....	N/C	—	4
**Union PEX F1960 (CEF).....	N/C	—	6
Quick-Connect			
1/2".....	\$89.30	—	5
3/4".....	\$126.40	—	5
1".....	\$150.90	—	5
With Press			
1/2".....	\$103.70	—	1-w/Press
3/4".....	\$126.40	—	1-w/Press
1".....	\$200.90	—	1-w/Press

**For sizes 1/2" and 3/4" only

Hot Water Tank Capacity Extender

The hot water tank capacity extender increases hot water capacity as much as 133% depending on storage and cold water temperature flow.

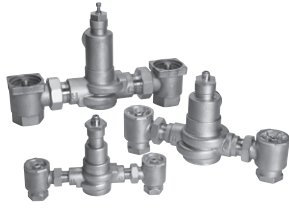
	List Price	Weight	Ordering Code
3/4" Inlets & Outlet.....	\$746.80	3.0	LFLM496-HTK



*The wetted surface of this product contacted by consumable water contains less than 0.25% of lead by weight.

A WATTS Brand

LEAD FREE*



The HydroGuard® XP series LFMM430 is a temperature actuated mixing valve designed for use in hot water distribution system, in compliance with ASSE 1017 standard. Valve features advance paraffin actuation technology, dirt and lime resistant poppet and seat design and vandal resistant locking mechanism. Valve are available in two temperature ranges.

Valve	Rough Bronze		Chrome Plated	
	Standard (90-160°F)	Low (60-90°F)	Standard (90-160°F)	Low (60-90°F)
LFMM431 3/4 x 3/4	LFMM431-10 \$2,642.00	LFMM431-30 \$2,642.00	LFMM431-20 \$3,790.00	LFMM431-40 \$3,790.00
LFMM432 3/4 x 1	LFMM432-10 \$3,157.00	LFMM432-30 \$3,157.00	LFMM432-20 \$4,165.00	LFMM432-40 \$4,165.00
LFMM433 1 1/4 x 1 1/4	LFMM433-10 \$3,709.00	LFMM433-30 \$3,709.00	LFMM433-20 \$5,342.00	LFMM433-40 \$5,342.00
LFMM434 1 1/4 x 1 1/2	LFMM434-10 \$4,681.00	LFMM434-30 \$4,681.00	LFMM434-20 \$5,421.00	LFMM434-40 \$5,421.00
LFMM435 2 x 2	LFMM435-10 \$6,513.00	LFMM435-30 \$6,513.00	LFMM435-20 \$7,464.00	LFMM435-40 \$7,464.00

HydroGuard® XP Series LFMM430 Supply Fixtures

How to specify and order a supply fixture:

Valves (capacity at 45 psi)

23 gpm (87 lpm)	LM490
42 gpm (159 lpm)	MM431
64 gpm (242 lpm)	MM432
110 gpm (416 lpm)	MM433
144 gpm (545 lpm)	MM434
208 gpm (787 lpm)	MM435

Valve and Pipe Finish

Rough Bronze	A
Chrome Plated	C

Piping Inlets/Outlets

Top/Top	D
Bottom/Top	E
Bottom/Bottom	F
Bottom/Side	G

Cabinet Style

Exposed, no cabinet	M
Stainless Steel, Recessed	N
Stainless Steel, Semi-Recessed	P
Stainless Steel, Wall Mounted	Q
Painted, Recessed	R
Painted, Semi-Recessed	T
Painted, Wall Mounted	U

Temperature Range

Standard—90°F to 160°F (32°C to 71°C)	S
Low**—60°F to 90°F (16°C to 32°C)	W

Options

None	0
Cold Water Bypass	2
Combination T/P Gauge on inlets	4
Cold Water Bypass & Combination T/P Gauge on inlets	6

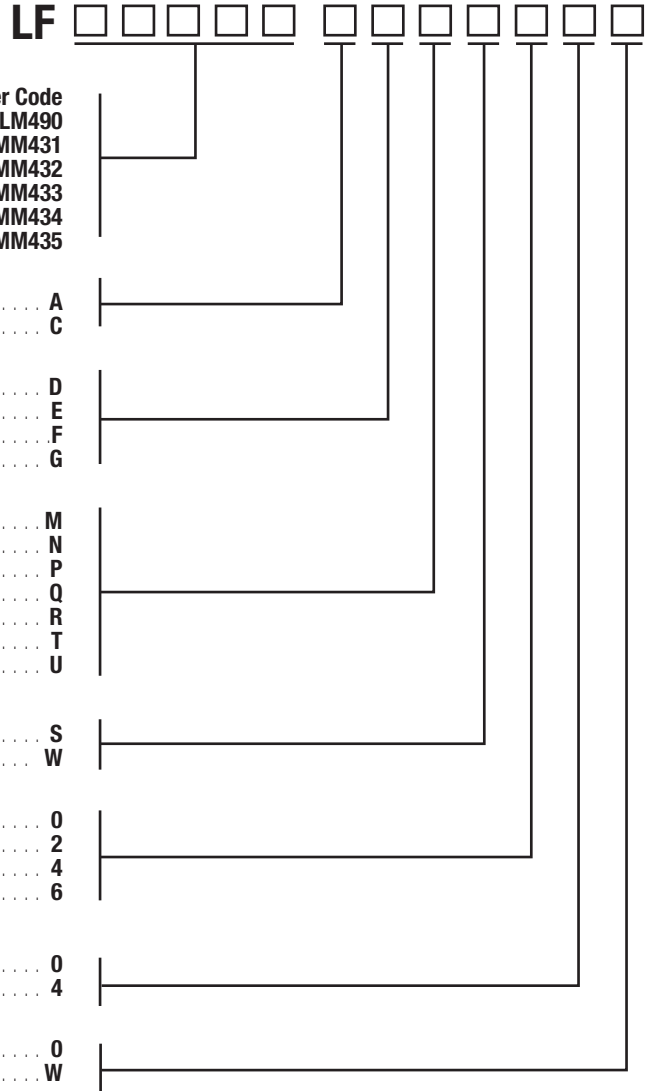
Alarm System (Not Installed)

None	0
AquaSentry2 Alarm System	4

View Port

None	0
Window	W

** Not available with LFLM490.



Note: Supply fixtures are made to order (MTO) and are not returnable or subject to credit.

*The wetted surface of this product contacted by consumable water contains less than 0.25% of lead by weight.

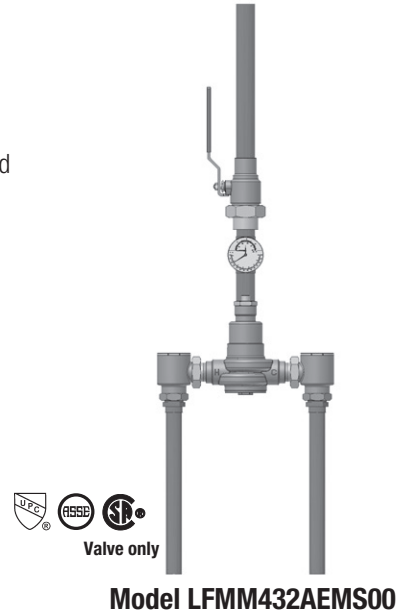
A WATTS Brand

LEAD FREE*

HydroGuard® XP Series LFMM430 Supply Fixtures

How to Determine the Price of a Supply Fixture

Determine the base price by looking in the first two columns of this chart, under "Valve and Pipe Finish." This price includes the valve and standard piping kit, dial thermometer, and a standard temperature range motor. If a cabinet, a high or low temperature motor or an optional piping kit is required, add the list price shown below to the base price.



	Valve and Pipe Finish		Cabinet Style	
	Rough Bronze	Chrome Plated	Stainless Steel	Painted
Order Code	A	C	N, P, Q	R, T, U
LFLM490	\$3,119.00	\$3,421.00	\$3,207.00	\$2,138.00
LFMM431	\$4,656.00	\$5,121.00	\$3,982.00	\$2,352.00
LFMM432	\$5,626.00	\$5,938.00	\$3,982.00	\$2,352.00
LFMM433	\$6,534.00	\$7,334.00	\$3,982.00	\$2,352.00
LFMM434	\$7,889.00	\$8,865.00	\$3,982.00	\$2,352.00
LFMM435	\$10,452.00	\$12,533.00	\$4,756.00	\$3,116.00

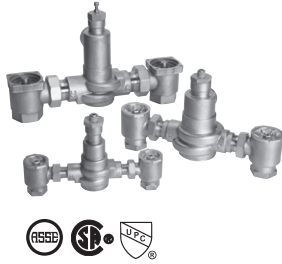
Options						Standard Items
Order Code	Cold Water Bypass	Combination T/P Gauge on Inlets	Cold Water Bypass & Comb. T/P Gauge on Inlets	AquaSentry2	View Port	Available at No Charge
	2	4	6	4	W	D, E, F, G, M, S
LFLM490	\$1,586.00	\$579.10	\$2,157.00	\$7,087.00	\$433.10	N/C
LFMM431	\$2,048.00	\$712.20	\$2,750.00	\$7,142.00	\$433.10	N/C
LFMM432	\$2,366.00	\$712.20	\$3,076.00	\$7,360.00	\$433.10	N/C
LFMM433	\$2,669.00	\$860.30	\$3,514.00	\$7,507.00	\$433.10	N/C
LFMM434	\$3,009.00	\$860.30	\$3,855.00	\$7,649.00	\$433.10	N/C
LFMM435	\$3,749.00	\$1,071.00	\$4,809.00	\$9,477.00	\$433.10	N/C

Note: Supply fixtures are made to order (MTO) and are not returnable or subject to credit.

*The wetted surface of this product contacted by consumable water contains less than 0.25% of lead by weight.

A WATTS Brand

LEAD FREE*



The HydroGuard® XP series LFSH1430 is a temperature actuated mixing valve designed for use in hot water distribution system, in compliance with ASSE 1017 standard. Valve features advanced par-affin actuation technology, dirt and lime resistant poppet and seat design and vandal resistant locking mechanism. Valve is available in two temperature ranges.

Valve	Valve Only			
	Rough Bronze		Chrome Plated	
	Standard (90-160°F)	Low (60-90°F)	Standard (90-160°F)	Low (60-90°F)
LFSH1432 3/4 x 1	LFSH1432-10 \$6,666.00	LFSH1432-30 \$6,666.00	LFSH1432-20 \$7,101.00	LFSH1432-40 \$7,101.00
LFSH1434 1 1/4 x 1 1/2	LFSH1434-10 \$9,521.00	LFSH1434-30 \$9,521.00	LFSH1434-20 \$10,068.00	LFSH1434-40 \$10,068.00
LFSH1435 2 x 2	LFSH1435-10 \$11,422.00	LFSH1435-30 \$11,422.00	LFSH1435-20 \$12,248.00	LFSH1435-40 \$12,248.00
Valve w/Temperature/Pressure Gauge on Outlet\				
Valve	Rough Bronze		Chrome Plated\	
	Standard (90-160°F)	Low (60-90°F)	Standard (90-160°F)	Low (60-90°F)
LFSH1432 3/4 x 1	LFSH1432-11 \$7,104.00	LFSH1432-31 \$7,104.00	LFSH1432-22 \$7,622.00	LFSH1432-42 \$7,622.00
LFSH1434 1 1/4 x 1 1/2	LFSH1434-13 \$10,201.00	LFSH1434-33 \$10,201.00	LFSH1434-24 \$10,729.00	LFSH1434-44 \$10,729.00
LFSH1435 2 x 2	LFSH1435-15 \$12,300.00	LFSH1435-35 \$12,300.00	LFSH1435-26 \$12,943.00	LFSH1435-46 \$12,943.00

HydroGuard® XP Series LFSH1430 Supply Fixtures

How to specify and order a supply fixture:



	SH1432	SH1434	SH1435	Order Code
Valve and Piping Finish				
Rough Bronze	\$7,006.00	\$9,995.00	\$12,917.00	A
Chrome Plated	\$7,972.00	\$11,222.00	\$14,704.00	C
Piping Inlets/Outlet				
Top/Top	N/C	N/C	N/C	D
Bottom/Top	N/C	N/C	N/C	E
Bottom/Bottom	N/C	N/C	N/C	F
Bottom/Side	N/C	N/C	N/C	G
Cabinet Style				
Exposed, no cabinet	N/C	N/C	N/C	M
Stainless Steel, Recessed	\$3,976.00	\$3,976.00	\$3,976.00	N
Stainless Steel, Semi-Recessed	\$3,976.00	\$3,976.00	\$3,976.00	P
Stainless Steel, Wall Mounted	\$3,976.00	\$3,976.00	\$3,976.00	Q
Painted, Recessed	\$2,352.00	\$2,352.00	\$3,116.00	R
Painted, Semi-Recessed	\$2,352.00	\$2,352.00	\$3,116.00	T
Painted, Wall Mounted	\$2,352.00	\$2,352.00	\$3,116.00	U
Temperature Range				
Standard—90°F to 160°F (32°F to 71°C)	N/C	N/C	N/C	S
Low—60°F to 90°F (16°F to 32°C)	N/C	N/C	N/C	W
Option				
None	N/C	N/C	N/C	0
Cold Water Bypass	\$2,366.00	\$3,008.00	\$3,747.00	2
Combination T/P Gauge on Inlets	\$712.50	\$856.60	\$1,069.00	4
Cold Water Bypass & Combination T/P Gauge on Inlets	\$3,075.00	\$3,851.00	\$4,809.00	6
Alarm System (Not Installed)				
None	N/C	N/C	N/C	0
AquaSentry2 Alarm System	\$6,180.00	\$7,649.00	\$9,476.00	4
View Port				
None	N/C	N/C	N/C	0
Window	\$433.10	\$433.10	\$433.10	W

Note: Supply fixtures are made to order (MTO) and are not returnable or subject to credit.

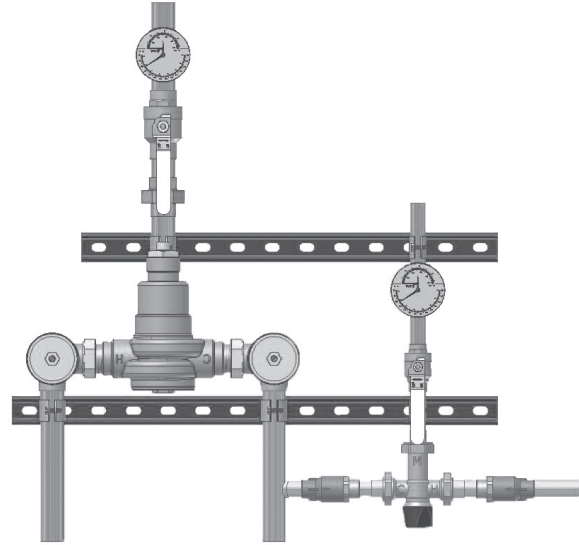
*The wetted surface of this product contacted by consumable water contains less than 0.25% of lead by weight.

LEAD FREE*

The Lead Free HydroGuard® water tempering recirculating loop is an economical way to provide a safe, balanced system for stand alone master tempering valves. The system monitors return line temperature and automatically directs water to the cold side of the tempering valve (if within the set point) or to the hot water source (if below the set point).



Valve only



LF R A

Valve Capacity @ 45 gpm

Valve Capacity @ 45 gpm	List Price
42 gpm (159 lpm)	\$6,588.00
64 gpm (242 lpm)	\$7,229.00
110 gpm (416 lpm)	\$8,319.00
144 gpm (545 lpm)	\$9,580.00
208 gpm (787 lpm)	\$11,672.00
57 gpm (216 lpm)	\$8,567.00
127 gpm (481 lpm)	\$11,242.00
201 gpm (761 lpm)	\$13,329.00

Valve & Piping Finish

Rough Bronze	N/C
--------------------	-----

Return Size

3/4"	N/C
1"	\$477.10

Temperature Range

Standard (90° - 160°F)	N/C
Low (60° - 90°F)	N/C

Alarm System (not installed)

None	N/C
AquaSentry2 for LFMM431	\$7,142.00
AquaSentry2 for LFMM432	\$7,360.00
AquaSentry2 for LFMM433	\$7,506.00
AquaSentry2 for LFMM434	\$7,649.00
AquaSentry2 for LFMM435	\$9,476.00
AquaSentry2 for LFSH1432	\$6,180.00
AquaSentry2 for LFSH1434	\$7,649.00
AquaSentry2 for LFSH1435	\$9,476.00

Order Code
MM431
MM432
MM433
MM434
MM435
SH1432
SH1434
SH1435

A
B
C
S
W

0
1
2
3
4
5
6
7
8

Note: These products are specially made and are not returnable or subject to credit.

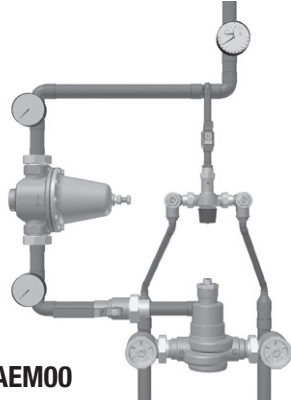
*The wetted surface of this product contacted by consumable water contains less than 0.25% of lead by weight.

A WATTS Brand

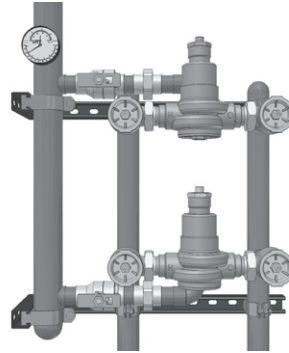
LEAD FREE*

Hi/Lo Supply Fixtures

Hi/Lo Supply Fixtures include two master mixing valves, a pressure regulating valve, outlet thermometer, shutoff valve, and pressure gauges. Piping configuration is bottom inlets/top outlet. For other configurations, consult Powers Technical Support Department.



LFMM432HLAEM00



LFSH1434DVAEM00

LF

Valve Configuration	Capacity	Inlets	Outlet	List Price	Order Code
LFLM490/LFMM431	0.5 - 65 gpm	3/4"	3/4"	\$12,102.00	MM431HL
LFLM490/LFMM432	0.5 - 87 gpm	3/4"	1"	\$13,162.00	MM432HL
LFLM490/LFMM433	0.5 - 133 gpm	1-1/4"	1-1/4"	\$14,305.00	MM433HL
LFLM490/LFMM434	0.5 - 167 gpm	1-1/4"	1-1/2"	\$15,445.00	MM434HL
LFMM431/LFMM434	3.0 - 186 gpm	1-1/4"	1-1/2"	\$18,732.00	MM435HL
Larger Size					
LFMM434/LFSH1432	1.0 - 201 gpm	1-1/2"	2"	\$19,307.00	SH1432HL
LFMM434/LFSH1434	1.0 - 271 gpm	2"	2-1/2"	\$20,454.00	SH1434HL
LFSH1432/LFSH1434	2.0 - 184 gpm	1-1/2"	2"	\$17,432.00	SH1432DV
LFSH1434/LFSH1434	2.0 - 251 gpm	2"	2-1/2"	\$19,673.00	SH1434DV
LFSH1435/LFSH1435	10 - 402 gpm	4"	4"	\$37,263.00	SH1435DV
Finish					
Rough Bronze				N/C	A
Piping Inlets/Outlet					
Bottom/Top				N/C	E
Top/Top				\$662.80	D
Cabinet					
Exposed, No Cabinet				N/C	M
Stainless Steel, Recessed				\$6,781.00	N
Stainless Steel, Wall Mounted				\$6,781.00	Q
Painted, Recessed				\$5,817.00	R
Painted, Wall Mounted				\$5,817.00	U
Alarm (not installed)**					
None				N/C	0
AquaSentry2 for LFMM431				\$7,142.00	1
AquaSentry2 for LFMM432				\$7,360.00	2
AquaSentry2 for LFMM433				\$7,506.00	3
AquaSentry2 for LFMM434				\$7,649.00	4
AquaSentry2 for LFMM435				\$7,649.00	5
AquaSentry2 for LFSH1432DV				\$9,476.00	6
AquaSentry2 for LFSH1432HL				\$9,476.00	7
View Port					
None				N/C	0
Window				\$433.20	W

*The wetted surface of this product contacted by consumable water contains less than 0.25% of lead by weight.

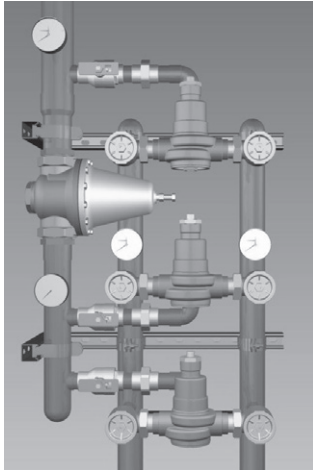
**Not available with LFSH1434DV, LFSH1434HL & LFSH1435DV

Note: These products are specially made and are not returnable or subject to credit.

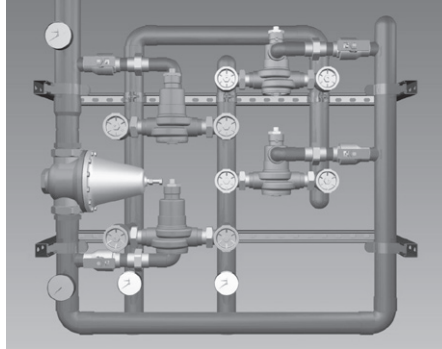
A WATTS Brand

LEAD FREE

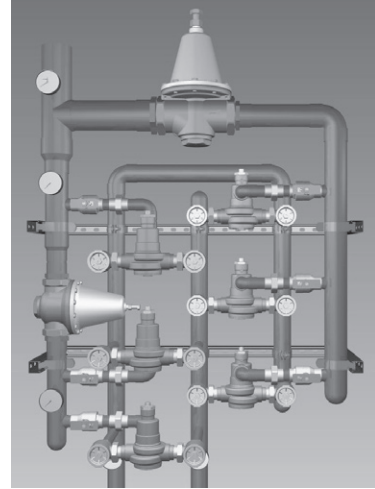
Powers' High Capacity Systems are fully assembled and factory tested. They are designed to provide safe tempered water throughout commercial and institutional facilities. They consist of LFMM434 and LFSH1434 HydroGuard® XP thermostatic tempering valves. Each system includes ball valves, thermometers, pressure gauges, triple-duty check valves and PRV. Each system is supported by heavy-duty welded struts. Piping configuration is bottom inlets and top outlets.



LFSH1434TVAEMO



LFSH1434QVAEMO



LF14346VAEMO



LF

Valve Configuration	Capacity	Inlets	Outlet	List Price	Order Code
1- LFSH1434 & 2- LFMM434	1.0 - 416 gpm	2-1/2"	3"	Per Application Contact POWERS	SH1434TV SH1434QV SH14346V
1- LFSH1434 & 3- LFMM434	1.0 - 559 gpm	2-1/2"	3"		
1- LFSH1434 & 5- LFMM434	1.0 - 847 gpm	2-1/2"	4"		
Finish					
Rough Bronze				N/C	A
Piping Inlets/Outlet					
Bottom/Top				N/C	E
Cabinet					
Exposed, No Cabinet				N/C	M
Stainless Steel, Wall Mounted				Per Application Contact Powers	Q
Painted, Wall Mounted					U
Alarm (Not Installed)					
None				N/A	0

Note: These products are specially made and are not returnable or subject to credit.

*The wetted surface of this product contacted by consumable water contains less than 0.25% of lead by weight.

A WATTS Brand

LEAD FREE*

With its IoT capabilities and certifications the IntelliStation® 2 is a smart next generation digital mixing valve solution that goes beyond just controlling the temperature of your water. It gives building owners and service contractors critical information on their valve's performance and their potable water system's condition in real time.

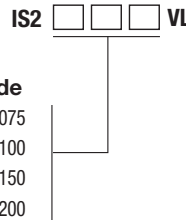
Locally or remotely monitor and control your water system with the color touch screen, or through the Nexa application which allows users with multiple sites or valves to monitor all their IntelliStation 2 mixing valves through a single interface. Setup a weekly schedule for energy savings or perform a timed sanitization of the water system to mitigate the risk of waterborne bacteria. Commissioning is quick and easy using the controller's new software wizard and the new street style plumbing connections allow for press or sweat connection of the valve.

Additional pre-piped options (IntelliStation 2S) offer more flexibility and serviceability to the owner and installer making IntelliStation 2 a versatile solution with a long lifecycle.



Ordering Information

Valve	Inlet	Outlet	List Price	Ordering Code
IS2075VL	¾"	1"	Contact POWERS	075
IS2100VL	1"	1¼"		100
IS2150VL	1½"	2"		150
IS2200VL	2"	2½"		200



Valve Only



Control Only

Options IS2

SKU	Description	Contents	List Price
Expanded Monitoring of Hot & Cold Inlets and Mixed Outlet Temperatures and Pressures			
6555031	IS2 Digital Temperature and Pressure Expansion Kit	3 Sensors and cable	\$1,511.82
Extend the Distance Between Control and Valve			
6555011	IS2 6-foot Cable Extension Kit	Temp, encoder, and actuator cables	\$1,345.22
Keyence Clamp on Flow Meter Kits to Monitor Mixed Outlet and Recirculation Return Flows			
6555002	IS2 Flow Meter Kit, Pipe Size ½" – ¾"	1 Sensor, power adapter, and cable	\$4,763.31
6555003	IS2 Flow Meter Kit, Pipe Size 1" – 1¼"	1 Sensor, power adapter, and cable	\$4,763.31
6555004	IS2 Flow Meter Kit, Pipe Size 1½" – 2"	1 Sensor, power adapter, and cable	\$5,211.51
6555005	IS2 Flow Meter Kit, Pipe Size 2½" – 3"	1 Sensor, and cable	\$14,091.27
6555006	IS2 Flow Meter Kit, Pipe Size 4" – 5"	1 Sensor, and cable	\$20,747.72
Convert Standard Sweat/Press Connection to NPT			
6555007	IS2 Threaded Tailpiece KIT 075VL	2 Inlets and 1 mixed outlet NPT/Union connection	\$276.64
6555008	IS2 Threaded Tailpiece KIT 100VL	2 Inlets and 1 mixed outlet NPT/Union connection	\$283.32
6555009	IS2 Threaded Tailpiece KIT 150VL	2 Inlets and 1 mixed outlet NPT/Union connection	\$418.01
6555010	IS2 Threaded Tailpiece KIT 200VL	2 Inlets and 1 mixed outlet NPT/Union connection	\$1,302.36



Pre-Piped System

Ordering Information

SINGLE VALVE

Valve	Inlet	Outlet	List Price	Ordering Code
IS2075VL	1½"	2"	Per Application Contact Powers	075
IS2100VL	2"	2½"		100
IS2150VL	2"	3"		150
IS2200VL	2½"	4"		200

Return Pipe Size

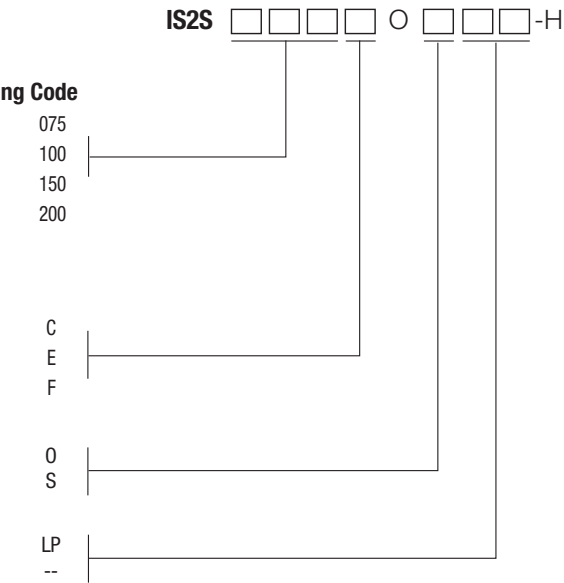
- 1" Available for IS2S075 and IS2S100
- 1½" Available for all valves
- 2" Available for IS2S150 and IS2S200

Strainers*

- None
- Inlet strainers

Pump

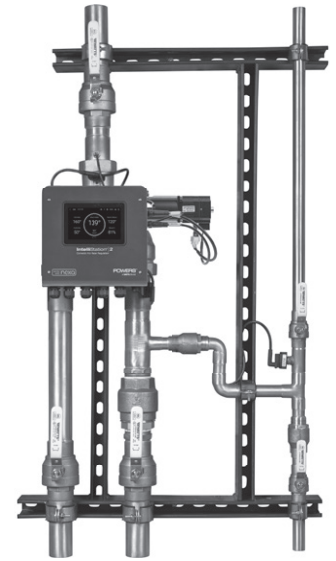
- Less Pump
- Pump Assigned by Factory



Must Provide Following Pump Information to Factory to Select the Pump:

Pump Manufacturer: _____
 Part/Model Number _____
 System Head Loss _____
 Required Flow to Maintain Recirculating Temperature _____

*Strainers ship loose and must be installed by a plumber at the job site.



IS2S150C00LP



Valve Only



LISTED E365015
Temp. Ind. and Reg. Equip.

Control Only

MULTI-VALVE

Valve	Inlet	Outlet	List Price	Ordering Code
IS2150VL	3"	4"	Per Application Contact Powers	150DV
IS2200VL	4"	6"		200DV
IS2200VL	4"	6"		200TV

Return Pipe Size

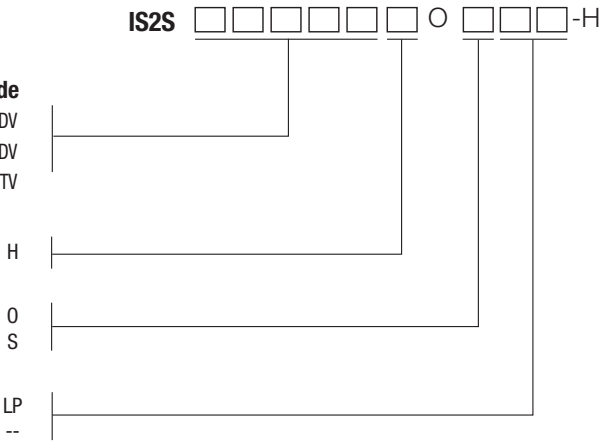
- 3"

Strainers

- None
- On inlets

Pump

- Less Pump
- Pump Assigned by Factory



Must Provide Following Pump Information to Factory to Select the Pump:

Pump Manufacturer: _____
 Part/Model Number _____
 System Head Loss _____
 Required Flow to Maintain Recirculating Temperature _____

OPTIONS IS2S

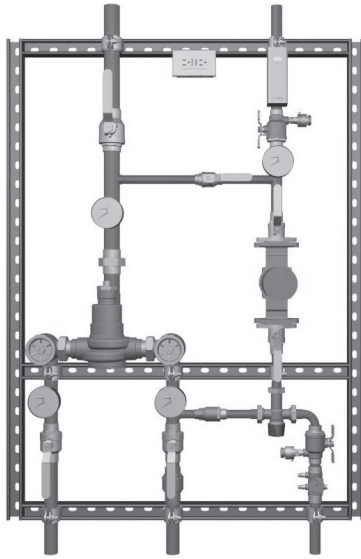
SKU	Description	Contents	List Price
Extend the Distance Between Control and Valve			
6555011	IS2 6-foot Cable Extension Kit	Temp, encoder, and actuator cables	\$1,345.22
Keyence Clamp on Flow Meter Kits to Monitor Mixed Outlet and Recirculation Return Flows			
6555002	IS2 Flow Meter Kit, Pipe Size ½" – ¾"	1 Sensor, power adapter, and cable	\$4,763.31
6555003	IS2 Flow Meter Kit, Pipe Size 1" – 1¼"	1 Sensor, power adapter, and cable	\$4,763.31
6555004	IS2 Flow Meter Kit, Pipe Size 1½" – 2"	1 Sensor, power adapter, and cable	\$5,211.51
6555005	IS2 Flow Meter Kit, Pipe Size 2½" – 3"	1 Sensor, and cable	\$14,091.27
6555006	IS2 Flow Meter Kit, Pipe Size 4" – 5"	1 Sensor, and cable	\$20,747.72

REPAIR AND REPLACEMENT KITS

SKU	Description	Contents	List Price
6555000	IS2 Controller Kit	Electronic control unit	\$3,991.98
6555001	IS2 System Digital Temperature and Pressure Expansion Kit	4 Sensors with cable (For use on pre-piped systems with 4 sensors)	\$1,861.32
6555012	IS2 Actuator Kit	Actuator/encoder, 4 bolts, and cables	\$3,284.12
6555013	IS2 Mix Temp Sensor Kit	Analog mix output temperature sensor and cable	\$169.69
6555014	IS2 Cap and Seat Kit 075VL to 150VL	2 Cap and seat assemblies and 8 bolts	\$480.57
6555015	IS2 Cap and Seat Kit 200VL	2 Cap and seat assemblies and 8 bolts	\$314.10
6555016	IS2 TP O-ring Kit 075VL to 100VL	3 O-rings (2 inlets and 1 outlet)	\$10.05
6555017	IS2 TP O-ring Kit 150VL	3 O-rings (2 inlets and 1 outlet)	\$11.64
6555018	IS2 TP O-ring Kit 200VL	3 O-rings (2 inlets and 1 outlet)	\$335.07
6555019	IS2 Actuator Cable Kit	Encoder and actuator cable	\$254.66
6555020	IS2 Check Repair Kit 075VL to 100VL	2 inlet check valves	\$104.57
6555021	IS2 Check Repair Kit 150VL	2 inlet check valves	\$528.13
6555022	IS2 Check Repair Kit 200VL	2 inlet check valves	\$992.45
6555023	IS2 TP Kit, IN 075VL	1 inlet connection ¾" union/street	\$93.69
6555024	IS2 TP Kit, OUT 075VL	1 outlet connection 1" union/street	\$52.18
6555025	IS2 TP Kit, IN 100VL	1 inlet connection 1" union/street	\$94.27
6555026	IS2 TP Kit, OUT 100VL	1 outlet connection 1¼" union/street	\$55.07
6555027	IS2 TP Kit, IN 150VL	1 inlet connection 1½" union/street	\$174.93
6555028	IS2 TP Kit, OUT 150VL	1 outlet connection 2" union/street	\$98.81
6555029	IS2 TP Kit, IN 200VL	1 inlet connection 2" union/street	\$453.36
6555030	IS2 TP Kit, OUT 200VL	1 outlet connection 2½" union/street	\$400.74
6555031	IS2 Valve Digital Temperature and Pressure Expansion Kit	3 Sensors with cable (For use on valves with 3 sensors)	\$1,511.82
6555032	IS2 SS Shuttle Small 075VL to 150VL	Stainless steel shuttle	\$264.19
6555033	IS2 SS Shuttle Large 200VL	Stainless steel shuttle	\$480.70

A WATTS Brand

LEAD FREE*



PowerStation is a complete, fully assembled water tempering system, designed to provide safe tempered water throughout commercial and institutional facilities. PowerStation features the HydroGuard® XP LFMM430 or LFSH1430 tempering series valve with advanced thermal actuation technology. Each PowerStation is mounted on heavy-duty, welded struts and is factory tested as a complete system. Each PowerStation includes an engineer specified circulator, GFCI outlet, combination temperature/pressure gauges and Powers' triple-duty checkstops and internal bypass loop for fast and easy set-up. Optional equipment includes an Aquastat and/or Powers' exclusive automatic balancing valve.



Shown with optional pump

Valve	Capacity	Inlet	Outlet
LFSH1432	1 - 57 gpm	3/4"	1"
LFSH1434	1 - 127 gpm	1-1/4"	1-1/2"
LFSH1435	5 - 201 gpm	2"	2"
LFMM431	3 - 42 gpm	3/4"	3/4"
LFMM432	4 - 64 gpm	3/4"	1"
LFMM433	5 - 110 gpm	1-1/4"	1-1/4"
LFMM434	7 - 144 gpm	1-1/4"	1-1/2"
LFMM435	10 - 208 gpm	2"	2"

List Price
Per Application Contract Powers

Controls

None	O
Aquastat	A
Aqua Sentry® 2**	B
Aquastat & Aqua Sentry® 2**	C

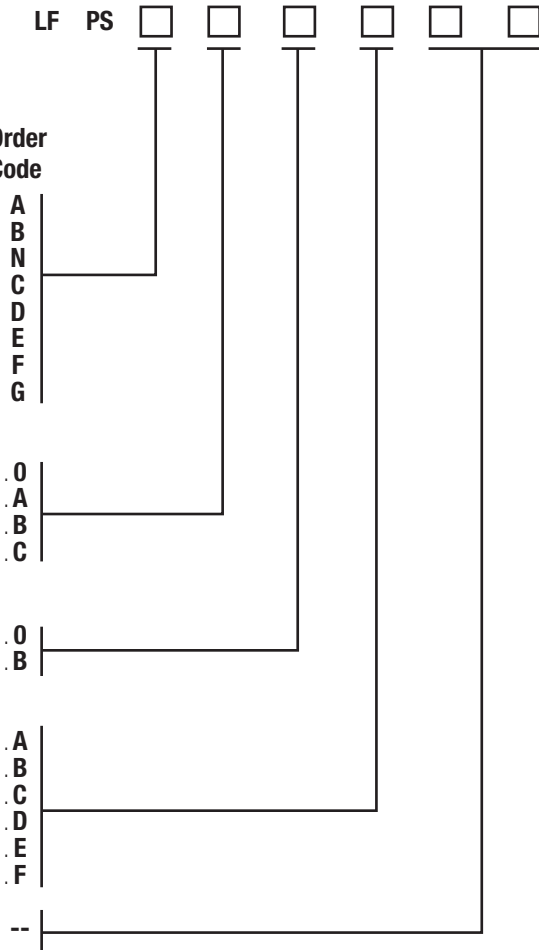
Balancing Valves

None	O
Automatic Balancing Valve	B

Return Pipe Size

1/2"	A
3/4"	B
1"	C
1-1/4"	D
1-1/2"	E
2"	F

Assigned by Factory



Pump Information:

Call Powers Technical Service at (888) 432-8932 for pump selection. You must provide the following information. Pump shall be lead free.

System Head Loss _____

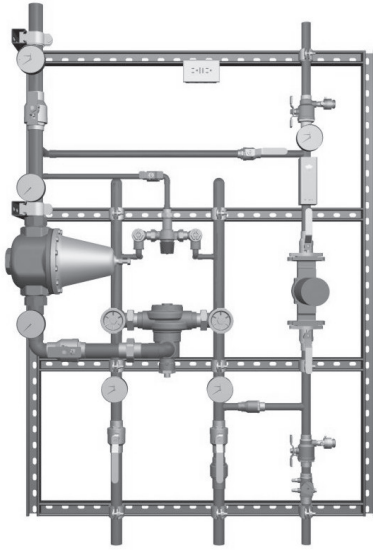
Required Flow to Maintain Recirculating Temp. _____

Note: These products are specially made and are not returnable or subject to credit.

*The wetted surface of this product contacted by consumable water contains less than 0.25% of lead by weight.
**Aqua Sentry® 2 - not installed

A WATTS Brand

LEAD FREE™



Shown with optional pump

PowerStation™ is a complete, fully assembled water tempering system, designed to provide safe tempered water throughout commercial and institutional facilities. PowerStation™ features the HydroGuard® XP LFLM490, LFMM430 and/or LFSH1430 tempering series valve with advanced thermal actuation technology. Each PowerStation™ is mounted on heavy-duty, welded struts and is factory tested as a complete system. It also includes an engineer specified circulator, GFCI outlet, combination temperature/pressure gauges, Powers' triple-duty checkstops and internal bypass loop for fast and easy set-up. Optional equipment includes an Aquastat and/or Powers' exclusive automatic balancing valve.



Valve only

Valve	Capacity	Inlets	Outlet
LFMM431HL	0.5 - 65 gpm	3/4"	3/4"
LFMM432HL	0.5 - 87 gpm	3/4"	1"
LFMM433HL	0.5 - 133 gpm	1-1/4"	1-1/4"
LFMM434HL	0.5 - 167 gpm	1-1/4"	1-1/2"
LFMM435HL	3 - 186 gpm	1-1/4"	1-1/2"
LFSH1432HL	1 - 201 gpm	1-1/2"	2"
LFSH1434HL	1 - 271 gpm	2"	2-1/2"
LFSH1432DV	2 - 184 gpm	1-1/2"	2"
LFSH1434DV	2 - 251 gpm	2"	2-1/2"
LFSH1434TV	1 - 416 gpm	2-1/2"	3"
LFSH1435DV	10 - 402 gpm	4"	4"

List Price
Order Code
Per Application Contact POWERS

LF	PS					
		<input type="checkbox"/>	<input type="checkbox"/>	<input type="checkbox"/>	<input type="checkbox"/>	<input type="checkbox"/>
H						
J						
K						
L						
M						
P						
Q						
S						
T						
W						
X						
O						
A						
B						
C						
O						
B						
A						
B						
C						
D						
E						
F						
--						

Controls
 None O
 Aquastat A
 Aqua Sentry® 2** B
 Aquastat & Aqua Sentry® 2** C

Balancing Valve
 None O
 Automatic Balancing Valve B

Return Pipe Size
 1/2" A
 3/4" B
 1" C
 1-1/4" D
 1-1/2" E
 2" F

Assigned by Factory --

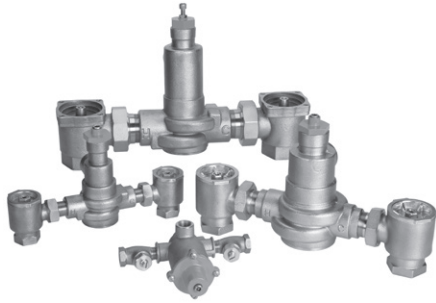
Pump Information:

Call Powers Technical Service at (888) 432-8932 for pump selection. You must provide the following information. Pump shall be lead free.

System Head Loss _____
 Required Flow to Maintain Recirculating Temp. _____

Note: These products are specially made and are not returnable or subject to credit.

*The wetted surface of this product contacted by consumable water contains less than 0.25% of lead by weight.
 **Aqua Sentry® 2 - not installed and not available on LFSH1434HL, LFSH1434DV, LFSH1434TV, LFSH1435DV.

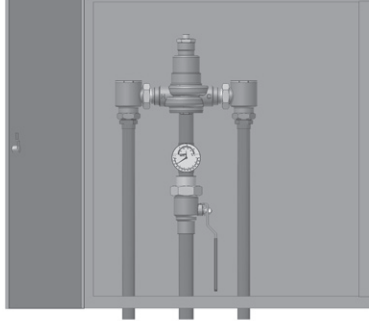


The HydroGuard® XP Emergency Tempering valves, with cold water bypass, are designed to use with emergency fixtures in compliance with ANSI Z358.1 2014 and are ASSE 1071 listed. Valves feature advanced paraffin actuation technology, dirt and lime resistant poppet and seat design and vandal resistant locking mechanism. Valves are available in two finishes.

Valve	Valve Only	
	Rough Bronze	Chrome Plated
ES150 1/2 x 1/2	ES150-10 \$1,931.00	ES150-20 \$2,169.00
ETV200 3/4 x 1	ETV200-10 \$3,036.00	ETV200-20 \$3,396.00
ETV400 1 1/4 x 1 1/2	ETV400-10 \$4,728.00	ETV400-20 \$5,179.00
ETV500 2 x 2	ETV500-10 \$6,446.00	ETV500-20 \$7,042.00

Valve	Valve w/Temperature/Pressure Gauge on Outlet	
	Rough Bronze	Chrome Plated
ES150 1/2 x 1/2	ES150-11 \$2,009.00	ES150-22 \$2,285.00
ETV200 3/4 x 1	ETV200-13 \$3,427.00	ETV200-24 \$3,545.00
ETV400 1 1/4 x 1 1/2	ETV400-15 \$4,945.00	ETV400-26 \$5,640.00
ETV500 2 x 2	ETV500-17 \$6,747.00	ETV500-28 \$7,347.00

A WATTS Brand



The HydroGuard® XP Emergency Tempering valves, with cold water bypass, are designed to use with emergency fixtures in compliance with ANSI Z358.1 2004 and are ASSE 1071 listed. Valves feature advanced paraffin actuation technology, dirt and lime resistant poppet and seat design and vandal resistant locking mechanism. Valves are available in two finishes.



	ES150	ETV200	ETV400	ETV500	Ordering Code
Valve and Piping Finish					
Rough Bronze	\$2,303.00	\$3,629.00	\$5,542.00	\$6,372.00	A
Chrome Plated	\$2,632.00	\$4,230.00	\$6,737.00	\$7,486.00	B
Piping Inlets/Outlet					
Top/Top	N/C	N/C	N/C	N/C	D
Top/Bottom	N/C	N/C	N/C	N/C	M
Bottom/Top	N/C	N/C	N/C	N/C	E
Bottom/Bottom	N/C	N/C	N/C	N/C	F
Bottom/Side	N/C	N/C	N/C	N/C	G
Cabinet Style					
Exposed, no cabinet	N/C	N/C	N/C	N/C	O
Stainless Steel, Recessed	\$2,253.00	\$3,877.00	\$3,877.00	\$4,629.00	N
Stainless Steel, Semi-Recessed	\$2,253.00	\$3,877.00	\$3,877.00	\$4,629.00	P
Stainless Steel, Wall Mounted	\$2,253.00	\$3,877.00	\$3,877.00	\$4,629.00	Q
Painted, Recessed	\$1,881.00	\$2,291.00	\$2,291.00	\$3,034.00	R
Painted, Semi-Recessed	\$1,881.00	\$2,291.00	\$2,291.00	\$3,034.00	T
Painted, Wall Mounted	\$1,881.00	\$2,291.00	\$2,291.00	\$3,034.00	U
Option					
None	N/C	N/C	N/C	N/C	0
T/P Gauge on Inlets	\$427.00	\$526.70	\$635.10	\$793.30	5
Alarm System (not installed)					
None	N/C	N/C	N/C	N/C	0
AquaSentry2	\$6,855.00	\$7,167.00	\$7,449.00	\$9,229.00	4
View Port					
None	N/C	N/C	N/C	N/C	0
Window	\$421.70	\$421.70	\$421.70	\$421.70	W

Note: These products are made to order (MTO) and are not returnable or subject to credit.

Hydropanel II Modular Shower Systems with e700 T/P Series Valve

Hydropanel II Shower Systems are constructed from stainless steel. They feature HydroGuard T/P Series e700 combination mixing valves with ABS or Metal handles, vandal-resistant fasteners, color-coded graphics, end caps, and are factory-tested and pre-assembled.



Valve Only



Model 4507100



Model 4507054

Hydropanel II with e705 Combination Mixing Valves with ABS Handles

Description	Order Code	Weight (lbs.)	List Price
Fixed Showerhead and Soap Dish	4507050	15.0	\$2,237.00
Fixed Showerhead, less Soap Dish	4507051	14.0	\$2,237.00
Swivel Showerhead and Soap Dish	4507052	15.0	\$2,237.00
Swivel Showerhead, less Soap Dish	4507053	14.0	\$2,237.00
Professional Hand Shower, Glide Rail, VB and Soap Dish	4507054	17.0	\$2,700.00
Professional Hand Shower, Glide Rail, VB, less Soap Dish	4507055	16.0	\$2,700.00
Deluxe Hand Shower, Glide Rail, VB and Soap Dish	4507056	18.0	\$2,785.00
Deluxe Hand Shower, Glide Rail, VB, less Soap Dish	4507057	17.0	\$2,785.00
Professional Hand Shower, Glide Rail, VB, Fixed Showerhead and Soap Dish	4507058	18.0	\$3,891.00
Professional Hand Shower, Glide Rail, VB, Swivel Showerhead and Soap Dish	4507059	19.0	\$3,891.00

Hydropanel II with e710 Combination Mixing Valves with Metal Handles

Description	Order Code	Weight (lbs.)	List Price
Fixed Showerhead and Soap Dish	4507100	15.0	\$2,278.00
Fixed Showerhead, less Soap Dish	4507101	14.0	\$2,278.00
Swivel Showerhead and Soap Dish	4507102	15.0	\$2,278.00
Swivel Showerhead, less Soap Dish	4507103	14.0	\$2,278.00
Professional Hand Shower, Glide Rail, VB and Soap Dish	4507104	17.0	\$2,741.00
Professional Hand Shower, Glide Rail, VB, less Soap Dish	4507105	16.0	\$2,741.00
Deluxe Hand Shower, Glide Rail, VB and Soap Dish	4507106	18.0	\$2,825.00
Deluxe Hand Shower, Glide Rail, VB, less Soap Dish	4507107	17.0	\$2,825.00
Professional Hand Shower, Glide Rail, VB, Fixed Showerhead and Soap Dish	4507108	18.0	\$3,930.00
Professional Hand Shower, Glide Rail, VB, Swivel Showerhead and Soap Dish	4507109	19.0	\$3,930.00

Hydropanel II Modular Shower Systems

Hydropanel II Shower Systems are constructed from stainless steel. They feature a pressure balance or thermostatic mixing valve with metal lever handle, vandal-resistant fasteners, color-coded graphics, end caps, and are factory-tested and pre-assembled.



Model 4504002




Model 4504210E



Model 4500416P

	Order Code	Weight (lbs.)	List Price
Hydropanel II with Biltmore 900 Pressure Balancing Valve			
Hydropanel II with Fixed Showerhead and Soap Dish	4504000	15.0	\$2,131.00
Hydropanel II with Fixed Showerhead, less Soap Dish	4504001	14.0	\$2,131.00
Hydropanel II with Swivel Showerhead and Soap Dish	4504002	15.0	\$2,131.00
Hydropanel II with Swivel Showerhead, less Soap Dish	4504003	14.0	\$2,131.00
Hydropanel II with Professional Hand Shower, Glide Rail, VB and Soap Dish	4504004	17.0	\$2,580.00
Hydropanel II with Professional Hand Shower, Glide Rail, VB, less Soap Dish	4504005	16.0	\$2,580.00
Hydropanel II with Deluxe Hand Shower, Glide Rail, VB and Soap Dish	4504006	18.0	Add: \$2,700.26
Option: Metering Valve Only	Suffix M		Add: \$778.84
Metering Valve with Pressure Balancing	Suffix MP		\$1,143.00
Hydropanel II with HydroGuard PB410 Pressure Balancing Valve			
Hydropanel II with Fixed Showerhead and Soap Dish	4500416P	15.0	\$2,546.00
Hydropanel II with Fixed Showerhead, less Soap Dish	4500417P	14.0	\$2,546.00
Hydropanel II with Swivel Showerhead and Soap Dish	4500418P	15.0	\$2,546.00
Hydropanel II with Swivel Showerhead, less Soap Dish	4500419P	14.0	\$2,546.00
Hydropanel II with Hand Shower VB and Soap Dish	4500420P	17.0	\$3,002.00
Hydropanel II with Hand Shower, VB, less Soap Dish	4500421P	16.0	\$3,002.00
Hydropanel II with Diverter, Deluxe Hand Shower, VB, Fixed Showerhead, and Soap Dish	4504104P	17.0	\$5,436.00
Hydropanel II with HydroGuard e420 Thermostatic Mixing Valve			
Hydropanel II with Fixed Showerhead and Soap Dish	4504210E	15.0	\$2,967.00
Hydropanel II with Fixed Showerhead, less Soap Dish	4504211E	14.0	\$2,967.00
Hydropanel II with Swivel Showerhead and Soap Dish	4504212E	15.0	\$2,967.00
Hydropanel II with Swivel Showerhead, less Soap Dish	4504213E	14.0	\$2,967.00
Hydropanel II with Hand Shower VB and Soap Dish	4504214E	17.0	\$3,429.00
Hydropanel II with Hand Shower, VB, less Soap Dish	4504215E	16.0	\$3,429.00

	Order Code	Weight (lbs.)	List Price
Hydropanel II Dual Shower with Diverter			
Hydropanel II with Diverter, Deluxe Hand Shower, VB, Fixed Showerhead and 900 Series Pressure Equalizing Valve, Soap Dish 	4504103	22.0	\$4,437.00
Hydropanel II Tub/Shower with Biltmore 900 Pressure Balancing Valve			
Hydropanel II with Fixed Showerhead, Diverter Spout and 900 Series Pressure Equalizing Valve with Soap Dish	4504031	22.0	\$3,433.00
Hydropanel II Modular Shrouding System			
Horizontal Adaptor Kit, 16"	4504040	3.8	\$408.40
Horizontal Adaptor Kit, 24"	4504041	6.9	\$386.10
Horizontal Adaptor Kit, 48"	4504042	13.0	\$553.80
Overlay Shroud Kit, 8"	4504043	1.6	\$269.80
Overlay Shroud Kit, 13"	4504044	2.6	\$282.80
Overlay Shroud Kit, 16"	4504045	3.7	\$304.90
Overlay Shroud Kit, 18"	4504046	4.2	\$323.20
Overlay Shroud Kit, 23"	4504047	6.4	\$347.20
Overlay Shroud Kit, 28"	4504048	5.5	\$369.20
Extension Shroud Kit, 6"	4504050	1.6	\$264.30
Extension Shroud Kit, 24"	4504051	4.2	\$347.20
Corner Shroud Kit, 10"	4504049	2.2	\$280.80
Corner MTG Kit	4500430	1.0	NLA
Corner End Cap	4504015	0.7	NLA
End Cap Kit	4504011	0.1	\$74.10

See page 31 for ESP™ Infrared and Piezo Proximity Hydropanel Systems.

HydroGuard® ESP Infrared Showers

Powers ESP Infrared Showers are supplied complete with the sensor assembly, 24 VAC solenoid valve, modular junction box and mounting hardware. Optional box mount or plug-in transformer available. Hand showers and diverters are optional as well.



HydroGuard® Piezo Sensor Showers

Powers ESP Piezo Showers are supplied complete with 24 VAC solenoid valve, installation kit, and control box. Optional box-mount or plug-in transformer available. (Piezo shower is also available for multiple shower applications.)



ADA compliant

	List Price	Order Code	447- [] [0] [0] [] [] [] [] [] []
Sensor			
Infrared	\$3,008.00	1	
Piezo	NLA	3	
for wall depth 0-.25"		4	
for wall depth .26"-1.5"	\$2,346.00	5	
for wall depth 1.6"-4.5"	\$2,373.00	6	
for wall depth 4.6"-6.5"	\$2,467.00	7	
for wall depth 6.6"-8.5"	\$2,525.00		
Transformer (Order separately-See below)			
None	N/C	00	
Control Box			
Individual Control (For Piezo)	N/C	IC	
Less Box (For Infrared)	N/C	00	
Showerhead			
None	N/C	00	
Adj. Brass/Arm and Flange	\$128.40	K1	
Adj. Brass/Arm and Flange	\$174.70	M1	
Institutional (141 381)	NLA	N0	
Institutional (141 868)	\$535.50	P0	
Institutional (141903A)	\$457.30	Q0	
Institutional (141903B)	\$501.80	R0	
Institutional (141903C)	\$457.30	S0	
Hand Shower			
None	N/C	0	
Deluxe (141 163) w/VB (141 319)	\$854.00	6	
Standard (141 827) w/VB (141 319)	\$562.30	8	
Diverter			
None	N/C	0	
Concealed (141600B)	\$395.10	Y	
Concealed (141600E)	\$421.70	A	
Concealed (141600F)	\$434.10	B	
Transformer (Powers up to 1 solenoid)			
Box (444 119)	\$236.80		

A WATTS Brand

Hydropanel ESP Infrared Showers

Powers Hydropanel ESP Infrared Showers are supplied complete with the sensor assembly and 24 VAC solenoid valve pre-piped in a stainless steel shroud. Modular junction box and mounting hardware included, as well as optional box mount or plug-in 24 VAC transformer.



Hydropanel ESP Piezo Showers

Powers Hydropanel ESP Piezo Showers are supplied complete with the assembly, proximity sensor assembly, and 24 VAC solenoid valve, pre-piped in a stainless steel shroud. Control box and mounting hardware included.



ADA compliant

	List Price	Order Code	450- <input type="text" value="0"/> <input type="text" value="0"/> <input type="text" value=""/> <input type="text" value=""/> <input type="text" value=""/> <input type="text" value=""/> <input type="text" value=""/> <input type="text" value=""/>
Sensor			
Infrared	\$5,477.00	1	
Piezo	\$4,404.00	2	
Transformer (Order separately-See below)			
None	N/C	00	
Control Box			
Individual Control (Push Button)	N/C	IC	
Less Box (Infrared only)	N/C	00	
Showerhead			
Fixed Head	N/C	03	
Swivel Head	N/C	04	
Professional Hand Shower (141 318) w/VB (141 319)	\$576.60	07	
Deluxe Hand Shower (141 163) w/VB (141 319)	\$854.00	06	
Standard Hand Shower (141 827) w/VB (141 319)	\$562.30	08	
Fixed Head, Standard Hand Shower, VB (141 319) and Diverter (141600B)	\$1,020.00	10	
Fixed Head, Deluxe Hand Shower, VB (141 319) and Diverter (141600B)	\$1,250.00	12	
Soap Dish			
With Soapdish	N/C	WD	
Less Soapdish	N/C	LD	
Transformer (Powers up to 1 solenoid)			
Box (444 119)	\$236.80		

A WATTS Brand

LEAD FREE*

Aqua Sentry® 2 Series LF460 Alarm System

Audibly and visibly warns and shuts down supply if water temperature exceeds high or low set-points.

AquaSentry 2 Alarm System, complete

Includes the AquaSentry 2 control module, temperature sensor with phone-style jack, sensor junction box, 4 x 4 electrical box, UL/CSA approved 24 VAC, class 2 transformer, and 25 feet of station cable.

Model	Order Code	Weight	List Price
LF4600150	0123789	8.0 lbs.	\$3,069.00

Motorized Ball Valve, cable, and shock absorber must be ordered separately. See below.

Accessories for AquaSentry 2

Motorized Ball Valves - 24 VAC

	Order Code	Weight	List Price
1/2"	0123835	9 lbs.	\$2,861.00
3/4"	0123839	10 lbs.	\$2,918.00
1"	0123843	11 lbs.	\$3,128.00
1-1/4"	0123847	11 lbs.	\$3,263.00
1-1/2"	0123850	12 lbs.	\$3,408.00
2"	0123853	14 lbs.	\$5,174.00

Cable

Telephone station cable

Order Code	List Price
460 339	\$4.90/foot

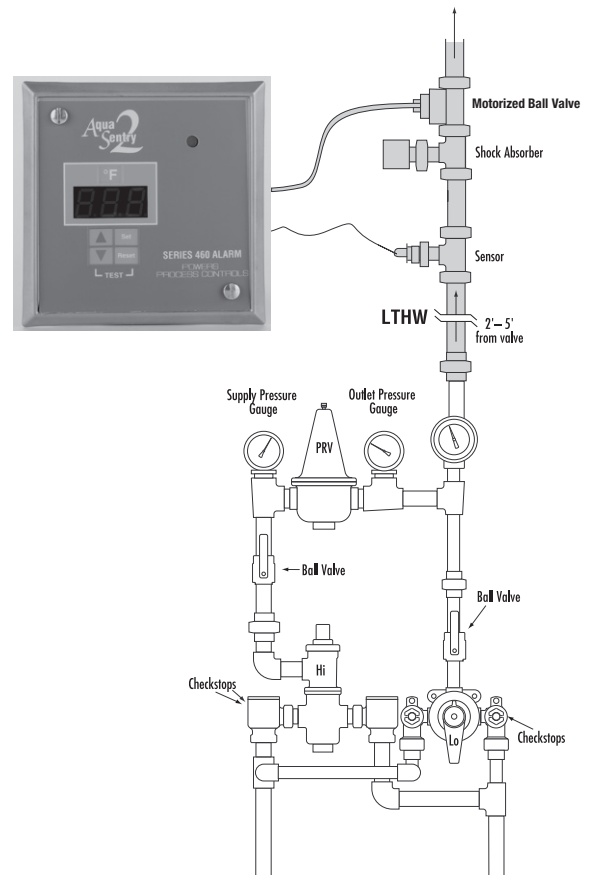
Shock Absorber

1" NPT, stainless steel, nitrogen-charged.

Order Code	Weight	List Price
460 353	1.0 lbs.	\$1,306.00

Components

460 602	AquaSentry 2 Transformer, Class 2, 24 VAC, UL/CSA-approved, 4 lbs.	\$334.90
460 601	Temperature Sensor with Phone Jack	\$769.80



*The wetted surface of this product contacted by consumable water contains less than 0.25% of lead by weight.

Fotoguard and Fotopanel Series 440

For precise control of water temperature for photographic processing.



Fotoguard

Fotopanel



Fotoguard

Description	Order Code	Capacity	Outlets	Weight	List Price
Concealed—Stainless steel faceplate with temperature indication, volume control, inlet strainer checkstops.	4401550	1–6 gpm	1/2"	7.5 lbs.	\$2,863.00
Exposed—Chrome-plated finish, inlet strainer checkstops, volume control.	4401500	1–6 gpm	1/2"	7.8 lbs.	\$3,915.00
	4401510	5–14 gpm	1/2"	9.5 lbs.	\$4,368.00

Fotopanel

Stainless steel cabinet includes T/P valve, temperature adjustment, inlet strainer checkstops, On/Off valve, volume control, dial thermometer, vacuum breaker.	4401000	1–6 gpm	1/2"	17.0 lbs.	\$6,563.00
	4403000	5–14 gpm	1/2"	21.0 lbs.	\$8,230.00
Same as 440-1000 with recessed cabinet.	4401020	1–6 gpm	1/2"	17.0 lbs.	\$7,943.00
Optional temperature ranges; add appropriate suffix code.	40° to 90°F	Suffix code: W		Add: \$344.89	
	120° to 175°F	Suffix code: V		Add: \$344.89	



High Temperature Shutoff Device

Shower high temperature shut-off device used between shower arm and shower head
115°F limit. Automatic reset. ASSE 1062 listed.

Type	Order Code	Weight (lbs.)	List Price
—	HT115	0.3	\$123.10



Checkstops (sold in pairs)

Straight, 1/2" IPS, Concealed.	A	141 176	1.1	\$155.10
Straight, 1/2" IPS, Exposed, Polished Chrome	B	141 177	1.0	\$457.30
Straight, 1/2" Sweat, Concealed.	C	141 187	1.1	\$155.10
Angled, 1/2" Sweat, Concealed	D	141 326	1.3	NLA
Angled, with Strainer, 1/2" IPS, Concealed.	E	230 046	2.5	\$418.20
Angled, with Strainer, 1/2" IPS, Exposed, Polished Chrome	F	230 048	2.4	\$652.90
Straight, 1/2" IPS, Rough Chrome	G	141 307	1.1	NLA



Showerheads

Economizer, Chrome-Plated ABS, Adjustable	J	141 371	0.5	\$36.00
Standard, Chrome-Plated Brass, Adjustable	K	141 377	0.7	\$75.00
Large, Chrome-Plated Brass, Adjustable	M	141 376	1.1	\$121.00
Low Flow (1.6 gpm) Shower Head, Chrome-Plated	G	141 800	2.5	\$188.70
Low Flow (1.5 gpm) Shower Head, Chrome-Plated	H	141 801	0.5	\$149.80
Massage Showerhead, Polished Chrome	—	141 803	0.9	NLA
Adjustable, Brass Ball Joint Showerhead, Polished Chrome	—	141 353	1.5	NLA
Standard, Chrome-Plated Brass, Adjustable, 1/2" Male Thread	—	141 378	0.7	\$114.20
Large, Chrome-Plated Brass, Adjustable, 1/2" Male Thread	—	141 379	1.1	\$160.50



Institutional Showerheads

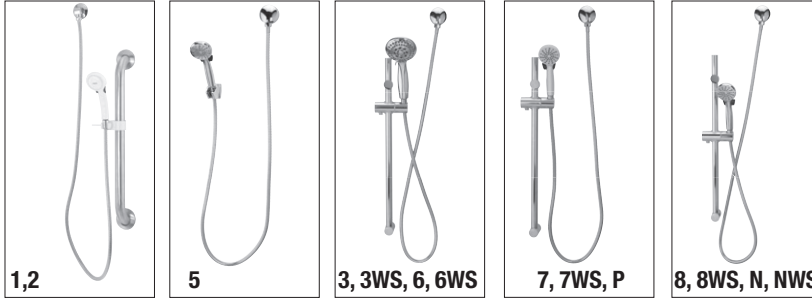
Type	Order Code	Weight (lbs.)	List Price	
30° Fixed Head with Screwed/Sweat Connections	—	141 381	3.1	NLA
Wall-Mounted, 25°, Fixed Head with 5° Adjustment Feature, Vandal-Resistant	—	141 868	2.0	\$535.50
Fixed Showerhead, Adjustable Spray, Chrome-Plated, Brass.	—	141 816	1.0	\$355.80
Fixed Showerhead, Adjustable Spray, Chrome-Plated, Brass, 1.5gpm	—	141 817	1.0	\$355.80
Small Ball Joint Shower Head with Wall Bracket, Anchor Plate, and Adjustable Spray, Chrome Plated, Brass.	—	141903A	3.0	\$457.30
Large Ball Joint Shower Head with Wall Bracket, Anchor Plate, and Adjustable Spray, Chrome Plated, Brass.	—	141903B	3.2	\$501.80
Fixed Showerhead with Wall Bracket, Anchor Plate, and Adjustable Spray, Chrome-Plated, Brass.	—	141903C	2.7	\$457.30
Fixed Showerhead with Wall Bracket, Anchor Plate, and Adjustable Spray, Chrome-Plated, Brass, 1.5 gpm.	—	141903D	2.7	\$457.30

A WATTS Brand



Arm and Flange Kits

Type	Order Code	Weight (lbs)	List Price
Standard Arm and Flange	1	0.3	\$55.70
Deluxe Arm and Flange (with set screw on flange)	2	0.4	\$85.70











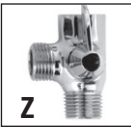
Hand Shower Systems



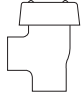
Type	Order Code	Model/Part No.	Weight	List Price
24" Stainless Steel ADA Wall Grab Bar with Shower System	1	141 174	4.7	\$786.20
36" Stainless Steel ADA Wall Grab Bar with Shower System	2	141 175	5.5	\$809.20
Standard, Hand Spray Push Button, CP Plastic, 2.50 gpm, Metal Hose, Wall Mount, 3-Position, 2/Kit	5	6551722	2.0	\$365.00
Standard, Hand Spray Push Button, CP Plastic, 2.50 gpm, Metal Hose, 24" Glide Rail	8	6551723	2.6	\$476.70
Standard, Hand Spray Push Button, CP Plastic, 1.80 gpm WaterSense®, Metal Hose, 24" Glide Rail	8WS	6551724	2.6	\$476.70
Standard, Hand Spray Push Button, CP Plastic, 2.50 gpm, Metal Hose, 30" Glide Rail	N	6551725	3.1	\$642.20
Standard, Hand Spray Push Button, CP Plastic, 1.80 gpm WaterSense®, Metal Hose, 30" Glide Rail	NWS	6551726	3.1	\$642.20
Professional, Hand Spray Push Button, White Plastic, 2.50 gpm, Metal Hose, 18" Glide Rail	P	6551735	2.5	\$490.90
Professional, Hand Spray Push Button, White Plastic, 2.50 gpm, Metal Hose, 24" Glide Rail	7	6551733	2.5	\$490.90
Professional, Hand Spray Push Button, White Plastic, 1.80 gpm WaterSense®, Metal Hose, 24" Glide Rail	7WS	6551734	2.5	\$490.90
Deluxe, Hand Spray 5 Setting, CP Plastic, 2.50 gpm, Metal Hose, 24" Glide Rail	6	6551727	3.2	\$768.40
Deluxe, Hand Spray 5 Setting, CP Plastic, 1.80 gpm WaterSense®, Metal Hose, 24" Glide Rail	6WS	6551728	3.2	\$768.40
Deluxe, Hand Spray 5 Setting, CP Plastic, 2.50 gpm, Metal Hose, 30" Glide Rail	3	6551729	3.3	\$919.70
Deluxe, Hand Spray 5 Setting, CP Plastic, 1.80 gpm WaterSense®, Metal Hose, 30" Glide Rail	3WS	6551730	3.3	\$919.70
Low Flow (1.5 gpm), Hand Spray Pause, 4 Setting, CP Plastic, Metal Hose, 24" Glide Rail, WaterSense®	M	6551732	3.2	\$746.00
Low Flow (1.5 gpm), Hand Spray Pause, 4 Setting, CP Plastic, Metal Hose, 30" Glide Rail, WaterSense®	L	6551731	3.3	\$845.00
Standard Hand Sprayer, Push Button, CP Plastic, 2.50 gpm	—	6551736*	141161AN	0.21 \$129.40
Standard Hand Sprayer, Push Button, CP Plastic, 1.80 gpm, WaterSense®	—	6551741*	141161AWS	0.21 \$129.40
Professional Hand Sprayer, Push Button, White Plastic, 2.50 gpm	—	6551746*	141318AN	0.21 \$141.80
Professional Hand Sprayer, Push Button, White Plastic, 1.80 gpm, WaterSense®	—	6551747*	141318AWS	0.21 \$141.80
Deluxe Hand Sprayer, 5 Setting, CP Plastic, 2.50 gpm	—	6551743*	141163AN	0.44 \$418.20
Deluxe Hand Sprayer, 5 Setting, CP Plastic, 1.80 gpm, WaterSense®	—	6551744*	141163AWS	0.44 \$418.20
Low Flow Hand Sprayer w/Pause, 4 Setting, CP Plastic, 1.50 gpm, WaterSense®	—	6551745*	141150AN	0.45 \$155.30
18" Glide Rail with Adjustable Cradle	—	6551748*	141163EN	0.63 \$385.40
24" Glide Rail with Adjustable Cradle	—	6551740*	141163DN	0.67 \$414.20
30" Glide Rail with Adjustable Cradle	—	6551742*	141731N	0.79 \$513.20
60" Stainless Steel Hose	—	6551737*	141161BN	0.56 \$215.80
Swivel Connector	—	141161C*	141161C	0.30 \$116.50
Wall Mount, 3-Position w/Screws & Plugs, 2/Kit	—	6551738*	141161DN	0.04 \$81.20
Supply Elbow, CP Plastic Cover, Brass 1/2" NPT	—	6551739*	141320N	0.42 \$112.30
Quick-Release Hose Coupling (Quick Disconnect)	—	141804A	141804A	0.40 \$185.20

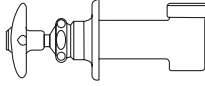
*Parts Discount Applies




A WATTS Brand

					
Tub Spouts					
Diverter, Chrome-Plated Brass, 3/4" IPS	Q				
Non-Diverter, Chrome-Plated, 1/2" IPS		R			
Diverter, Chrome-Plated, 1/2" IPS			S		
Diverter, Chrome-Plated Brass, 1/2" IPS				T	
Diverter, Chrome-Plated, 1/2" Slip-fit					U

				
Diverter	141600B	141600E	141600F	Z
Concealed Diverter Valve, 3-Port, 1/2" Sweat, Metal Handle	Y			
Concealed Diverter Valve, 3-Port, 1/2" Sweat, Deluxe ABS Handle		A		
Concealed Diverter Valve, 3-Port, 1/2" Sweat, Deluxe Metal Handle			B	
Exposed Diverter, 3-Port, Shower Arm-Type				Z

			
Vacuum Breakers	V	W	043834A
Wall-Mounted Vacuum Breaker, Chrome-Plated Finish, Elevated	V		
In-Line Vacuum Breaker		W	
Vacuum Breaker, 1/2" NPT Outlet, Wall Mount, Polished Chrome			—
Vacuum Breaker, 1/2" NPT Bottom Inlet, 1/2" NPT Side Outlet, Polished Chrome			—

	
Volume Control Valves	975 170
Concealed, 1/2" IPS	975 170
Showerhead Volume Regulator*	141 305

			
Dial Thermometers	8943709	8943928	8943897
For mounting with HydroGuard systems:			
Flush-mounted Thermometer with 3-Color Dial, Piping Manifold, and Stainless Escutcheon. 0 to 200°F			131 251
Thermometers with Bulb for Liquid Exposure:			
3-Color Dial, 1-1/16" Bulb. Scale is 0 to 200°F (-20 to 90°C)	8943709		
3-Color Dial, Horizontal Bulb. Scale is 0 to 200°F (-20 to 90°C)		8943928	
Black Dial, 1-7/8" Bulb. °F Scale. 30 to 130°F			8943897
Combination Thermometer, 1/2" T/P Thermometer. 0 to 200 psi, 60 to 320°F			131 123

Metering Valve	
Metering Valve - Shower	141 820

*Parts Discount Applies

A WATTS Brand

To determine the price of a complete #11 Regulator, add the price of the desired lower housing (below) to the price of the desired thermal system (page 38)

595

Lower Housing

Determine the order code from the lower housing assembly code chart (below). Eliminate the 590 prefix when ordering a complete regulator

Thermal system

Determine the order code from the thermal system code chart (page 38). Eliminate the 700 prefix when ordering a complete regulator

#11 Lower Housing Assemblies

590

Seat	Packing	Valve Type		Order Code
		Body	Trim	
Single Comp	EP (Heating)	Bronze	Bronze	CD
Single	TFE (H) EP (C)	Bronze	Stainless	ST
Double	EP (H&C)	Bronze	Bronze	DB
Double	TFE (H) EP (C)	Bronze	Stainless	DS
Mixing	EP (Mixing)	Bronze	Bronze	WM

Size	Style					Order Code
	CD	ST	DB	DS	WM	
1/2" A	-	-	-	-	-	A50
1/2" B	-	-	-	-	-	B50
1/2" C	-	-	-	-	-	C50
1/2" D	-	-	-	-	-	D50
1/2"	\$2,507.00	\$2,726.00	-	-	-	050
3/4"	\$2,582.00	\$2,848.00	-	-	\$3,034.00	075
1"	\$3,250.00	\$3,557.00	\$3,931.00	\$5,190.00	\$3,284.00	100
1-1/4"	\$3,783.00	-	\$4,441.00	\$5,658.00	\$3,827.00	125
1-1/2"	\$4,378.00	-	\$5,113.00	\$6,707.00	\$4,420.00	150
2"	-	-	\$6,929.00	\$9,076.00	\$5,885.00	200

Pricing: To determine the list price and availability of the selected lower housing, locate the size and style desired in the chart above. The number corresponding to your selection is your list price. If a list price is not shown for your selection, then your selection is not available in the size and style chosen.

Valve Action

Heating (not available in WM body style)H
 Cooling (not available in type CD and WM body style).C
 Mixing (WM only) M

Order Code

Note: These products are made to order and are not returnable or subject to credit.

A WATTS Brand

Bulb and Capillary Material

Copper (with 8" capillary)	\$2,708.00	C
Stainless Steel (with 8" capillary)	\$5,222.00	*S

Capillary Length

8'	N/C	08
15' (copper)	\$591.90	15
15' (stainless steel)	\$928.60	15
30' (copper)	\$845.00	30
30' (stainless steel)	\$2,445.00	30

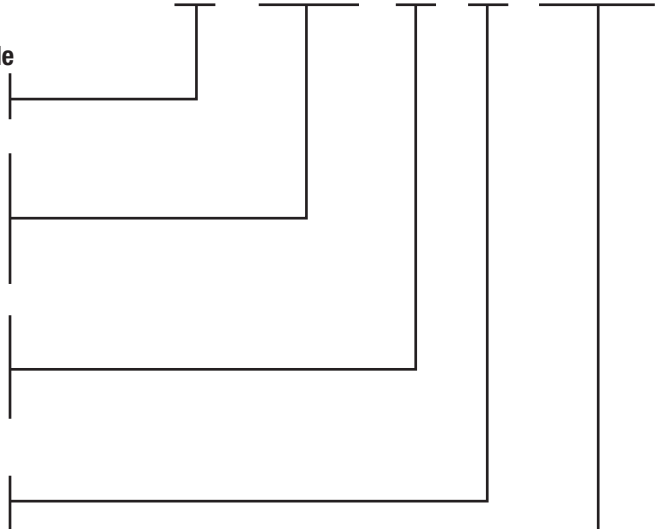
Bulb Style

Fixed Union	N/C	D
No Pipe Fittings	N/C	*J
Adj. Union	\$581.40	A
D Vertical	NLA	V

•All other bodies

Non-Indicating	N/C	N
Indicating	\$546.00	I

700



***Note: Stainless Steel J Bulb Style NLA**

Range/Bulb Size Code (two-digit codes below)

All ranges/bulb sizes listed below are **no charge**. Select range with setpoint in **upper third** for best performance. Consult factory for ranges/bulb sizes not listed.

**Temperature Ranges
Single or Double Seat Valves
Sizes 1/2" through 2"**

Range/Bulb Size Codes	Heating D.A.	Cooling R.A.	Water Mix 1/2" to 2"
01	10° to 70°F	0° to 60°F	10° to 60°F
1" x 20" 02	55° to 115°F	45° to 105°F	55° to 115°F
Bulb 03	85° to 145°F	70° to 130°F	80° to 140°F
04		90° to 150°F	100° to 160°F
05	110° to 170°F	110° to 150°F	110° to 160°F
06	NLA		
1" x 9" 07	NLA	NLA	NLA
Bulb 08	NLA	NLA	NLA
09	NLA	NLA	NLA
10	NLA	NLA	NLA
11	NLA	NLA	NLA

**Temperature Ranges
Double Seat
Valve Sizes 2 -1/2" through 4"**

Range/Bulb Size Codes	Heating D.A.	Cooling R.A.	Water Mix
12	10° to 70°F	0° to 60°F	Not applicable
1-1/4" 13	55° to 115°F	45° to 105°F	
x 24" 14	85° to 145°F	70° to 130°F	
Bulb 44		90° to 150°F	
15	110° to 170°F		Not applicable
16	NLA		
1" x 20" 17	NLA	NLA	Not applicable
Bulb 18	NLA	NLA	
19	NLA	NLA	
20	NLA	NLA	
21	NLA	NLA	

#11 Accessories

Wells

Bulb Size	Chrome-Plated Copper		Stainless Steel	
	Part No.	Price	Part No.	Price
1" x 9"	709 193	\$433.10	808 478	\$1,440.00
1" x 20"	709 075	\$611.10	808 475	\$1,619.00

Stem Lubricator

(not recommended for steam packing)

Part No.	Price
590184A	\$205.30

Note: Thermal systems are made to order (MTO) and are not returnable or subject to credit.

A WATTS Brand

593	<input type="checkbox"/> <input type="checkbox"/> <input type="checkbox"/> <input type="checkbox"/> <input type="checkbox"/> <input type="checkbox"/> <input type="checkbox"/> <input type="checkbox"/> <input type="checkbox"/> <input type="checkbox"/> <input type="checkbox"/> <input type="checkbox"/> <input type="checkbox"/>		
Valves			
High Performance 2-way	SS	<div style="text-align: right; margin-bottom: 10px;">ACCESSORIES SELECT CODE (refer to next page)</div> <div style="text-align: right; margin-bottom: 10px;">ACTUATOR SELECT CODE (refer to next page)</div>	
Economy 2-way	SD		
Mixing	WM		
High Capacity			
Balanced 2-way	DB		
Precision Low Flow	VE		
Size Order Code			
1/2" (VE only)	A50-D50		
1/2" (others)*050		
3/4"075		
1"100		
1 1/4"125		
1 1/2"150		
2"200		
End Connections			
Screwed	S		
Valve Trim			
Stainless (DB, SS, VE)	S		
Bronze w/Ep (DB, SD, WM)	B		
Bronze w/ Teflon (WM)	T		
Action			
Fail Open (Air-to-Close)	X		
Fail Closed (Air-to-Open)	C		
Mix	M		
Packing			
Teflon V-Ring	S		
EP V-Ring	W		

*Not available with WM & SD type body.

Note: These products are made to order (MTO) and are not returnable or subject to credit.

A WATTS Brand

Valve Body Prices

SS

Size Code	Body Style/Valve Trim	Price
050	Screwed-NPT, 17-4 SS	\$2,373.00
075	Screwed-NPT, 17-4 SS	\$2,580.00
100	Screwed-NPT, 17-4 SS	\$2,772.00

Size Code	Body Style/Valve Trim	Price
125	Screwed-NPT, 17-4 SS	\$3,722.00
150	Screwed-NPT, 17-4 SS	\$4,116.00
200	Screwed-NPT, 17-4 SS	\$6,235.00

SD

Size Code	Body Style/Valve Trim	Price
075	Screwed-NPT, Bronze	\$1,637.00
100	Screwed-NPT, Bronze	\$1,926.00
125	Screwed-NPT, Bronze	\$2,341.00

Size Code	Body Style/Valve Trim	Price
150	Screwed-NPT, Bronze	\$2,635.00
200	Screwed-NPT, Bronze	\$3,461.00

WM

Size Code	Body Style/Valve Trim	Price
075	Screwed-NPT, Comp. Disc	\$2,316.00
075	Screwed-NPT, Teflon	\$2,597.00
100	Screwed-NPT, Comp. Disc	\$2,597.00
100	Screwed-NPT, Teflon	\$3,420.00
125	Screwed-NPT, Comp. Disc	\$3,420.00

Size Code	Body Style/Valve Trim	Price
125	Screwed-NPT, Teflon	\$2,432.00
150	Screwed-NPT, Comp. Disc	\$2,727.00
150	Screwed-NPT, Teflon	\$2,727.00
200	Screwed-NPT, Comp. Disc	\$3,591.00
200	Screwed-NPT, Teflon	\$3,591.00

DB

Size Code	Body Style/Valve Trim	Price
100	Screwed-NPT, Bronze	\$4,173.00
100	Screwed-NPT, 316 SS	\$5,856.00
125	Screwed-NPT, Bronze	\$6,226.00
125	Screwed-NPT, 316 SS	\$8,910.00

Size Code	Body Style/Valve Trim	Price
150	Screwed-NPT, Bronze	\$4,382.00
150	Screwed-NPT, 316 SS	\$6,149.00
200	Screwed-NPT, Bronze	\$6,538.00
200	Screwed-NPT, 316 SS	\$9,356.00

VE

Size Code	Body Style/Valve Trim	Price
A-D50	Screwed-NPT, 300/400 SS	\$2,352.00

Actuator Select Code

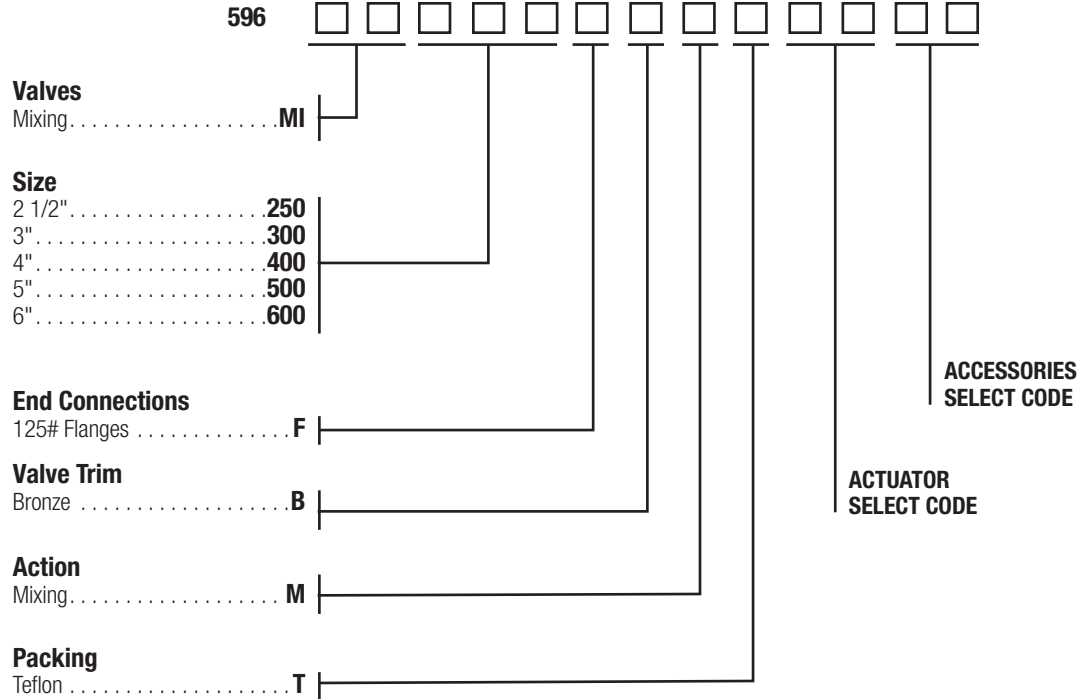
CODE	PNEUMATIC DIAPHRAGM ACTUATORS	PRICE
46	46 Sq. In. 1"Max Valve Stroke w/Standard Springs adjustable start w/6-12 lb. Fixed Span	\$1,715.00
4X	46 Sq. In. 1"Max Valve Stroke w/Extended Springs (Requires Positioner), adjustable start w/22 lb. Span	\$2,355.00
4C	46 Sq. In. 1"Max Valve Stroke Extreme Cycle Springs adjustable start w/6-12 lb. Fixed Span	\$2,355.00

Accessories Select Code

CODE	DESCRIPTION	PRICE
	Bellofram 1000 I/P'S	
IS	3-15 psi	\$4,069.00
TS	1-17 psi	\$4,069.00
US	3-27 psi	\$4,069.00
	CONTROL/AIR TYPE 900X I/P	
ES	0-30 psi	\$5,244.00
	UTILITY POSITIONER AND I/P	
BS	4-20 mA	\$6,795.00
	UTILITY POSITIONER	
PS	3-15 psi	\$3,480.00
RS	3-9 psi	\$3,480.00
SS	9-15 ps	\$3,480.00
	NO ACCESSORIES	
OS	No Accessories	N/C

Note: These products are made to order (MTO) and are not returnable or subject to credit.

A WATTS Brand



Actuator Compatibility

2-1/2", 3", 4"	46" and 100" Diaphragm
5", 6"	100" Diaphragm

Valve Body Prices

MI

Size Code	Body Style/Valve Trim	Price
250	125 lb. Flanges, Bronze	\$5,994.00
300	125 lb. Flanges, Bronze	\$7,128.00
400	125 lb. Flanges, Bronze	\$10,214.00
500	125 lb. Flanges, Bronze	\$14,700.00
600	125 lb. Flanges, Bronze	\$17,017.00

Actuator Select Code

CODE	PNEUMATIC DIAPHRAGM ACTUATORS	PRICE
46*	46 Sq. In. 1"Max. Valve Stroke Stainless Steel Springs adjustable start w/6-12 lb. Fixed Span	\$1,715.00
4X*	46 Sq. In. 1"Max. Valve Stroke w/Extended Stainless Steel Springs (Requires Positioner), adjustable start w/22 lb. Span	\$2,355.00
1M	100 Sq. In; 5-10 psi Spring Range, (Mixing Valves)	\$5,716.00

*Not Available with 5" or 6" valve

Accessories Select Code

CODE	DESCRIPTION	PRICE
	Bellofram 1000 I/P'S	
IS	3-15 psi	\$4,069.00
TS	1-17 psi	\$4,069.00
US	3-27 psi	\$4,069.00
	CONTROL/AIR TYPE 900X I/P	
ES	0-30 psi	\$5,244.00
	UTILITY POSITIONER AND I/P	
BS	4-20 mA	\$6,513.00
	UTILITY POSITIONER	
PS	3-15 psi	\$3,480.00
RS	3-9 psi	\$3,480.00
SS	9-15 ps	\$3,480.00
	NO ACCESSORIES	
OS	No Accessories	N/C

Note: These products are made to order (MTO) and are not returnable or subject to credit.

A WATTS Brand

597



Valves

2-Way.....SI

Size

2 1/2".....250
 3".....300
 4".....400
 5".....500
 6".....600

End Connections

125# FlangesF

Valve Trim

BronzeB

Action

Fail Open (Air-to-Close)X
 Fail Closed (Air-to-Open)C

Packing

TeflonT

ACCESSORIES
SELECT CODE

ACTUATOR
SELECT CODE

Valve Body Prices

SI

Size Code	Body Style/Valve Trim	Price
250	125 lb. Flanges, Bronze	\$5,994.00
300	125 lb. Flanges, Bronze	\$7,128.00
400	125 lb. Flanges, Bronze	\$10,214.00
500	125 lb. Flanges, Bronze	\$14,700.00
600	125 lb. Flanges, Bronze	\$17,017.00

Actuator Select Code

CODE	PNEUMATIC DIAPHRAGM ACTUATORS	PRICE
4C	46 Sq. In., 1" Max Valve Stroke Extreme Cycle Springs, adjustable start w/6-12 lb. fixed span.	\$1,715.00
1U (for 6" valve only)	100 Sq. In; 8-13 psi Spring Range, (Normally Closed Valves)	\$5,716.00
1L (for 6" valve only)	100 Sq. In; 3-8 psi Spring Range, (Normally Open Valves)	\$5,716.00

Accessories Select Code

CODE	DESCRIPTION	PRICE
	Bellofram 1000 I/P'S	
IS	3-15 psi	\$4,069.00
TS	1-17 psi	\$4,069.00
US	3-27 psi	\$4,069.00
	CONTROL/AIR TYPE 900X I/P	
ES	0-30 psi	\$5,244.00
	UTILITY POSITIONER AND I/P	
BS	4-20 mA	\$6,795.00
	UTILITY POSITIONER	
PS	3-15 psi	\$3,480.00
RS	3-9 psi	\$3,480.00
SS	9-15 ps	\$3,480.00
	NO ACCESSORIES	
OS	No Accessories	N/C

Note: These products are made to order (MTO) and are not returnable or subject to credit.

A WATTS Brand

Unmounted Valve Accessories

PRODUCT NUMBER	DESCRIPTION	PRICE
UTILITY GRADE PNEUMATIC POSITIONERS		
1473000D	1/8" - 3/16" Stroke Full Range	3,880.00
1473000C	1/4" - 3/8" Stroke Full Range	3,880.00
1473000	1/2" - 3/4" Stroke Full Range	3,880.00
1473000A	1" - 1 1/2" Stroke Full Range	3,880.00
1473000C	1/8" - 3/16" Stroke Split Range	3,880.00
1473000	1/4" - 3/8" Stroke Split Range	3,880.00
1473000A	1/2" - 1" Stroke Split Range	3,880.00
1420373	Positioner Output Pressure Gauge	134.00

POSITIONER MTG. KIT		
147301E	46" Act., Fail Open, 1/4" Stem	245.00
147302E	46" Act., Fail Close, 1/4" Stem	245.00
147301G	46" Act., 1/2" Stem	245.00
147301H	100" Act., 1/2" Stem	245.00

PRODUCT NUMBER	DESCRIPTION	PRICE
UTILITY MTG. KIT I/P & POSITIONER		
593002E	46" Act., Fail Open, 1/4" Stem	817.80
593003E	46" Act., Fail Close, 1/4" Stem	817.80
593002G	46" Act., 1/2" Stem	817.80
593002H	100" Act., 1/2" Stem	817.80

UTILITY I/P MTG. KIT		
512118E	46" Act., Fail Open, (Dir.Act.)	533.40
512119E	46" Act., Fail Close (Rev.Act.)	533.40
590184A	Stem Lubricator (Type "W" Packing Only)	205.30
512118H	100" Act.	533.40

BELLOFRAM 1000 I/P'S		
512 015	3-15 I/P Transducer	2,698.00
512 117	1-17 I/P Transducer	2,698.00
512 027	3-27 I/P Transducer	2,698.00

CONTROL/AIR TYPE 900X I/P		
100 127	0-30 psi with Mounting Kit, 46" Act.	4,419.00
100127H	0-30 psi with Mounting Kit, 100" Act.	4,546.00

Accritem® Temperature Controller

Adjustable setpoint, 50° to 350°F.

Complete with pressure gauges and fittings.

Rigid Copper Bulb (1/2" NPT Pipe Fitting)

Model	Action	Order Code	Weight (in lbs.)	List Price
Air Operated	Direct	7441213	3	2,453.00
	Reverse	7441214	3	2,453.00
Water Operated	Direct	7441217	4	3,705.00
	Reverse	7441218	4	3,705.00

Rigid Stainless Bulb (1/2" NPT Pipe Fitting)

Model	Action	Order Code	Weight (in lbs.)	List Price
Air Operated	Direct	7441270	4	3,423.00
	Reverse	7441271	4	3,423.00

Accritem® Accessories

Description	Order Code	Weight (in lbs.)	List Price
Accessory Kit for Air or Gas	744 107	2	1,340.00
Socket Well—Copper	744 111	1	629.80
Socket Well—Stainless Steel	744 082	1	1,519.00
Valve and Seat Repair Kit	744 168	1	188.40

Accritem® II Temperature Controller

Adjustable setpoint, dual scale: 0° to 300°F and 20° to 150°C.

Complete with pressure gauges and fittings.

Remote Copper Bulb (3/8" x 4" bulb, 4 ft. capillary)

Includes 3/8" NPT Compression Fitting

Model	Action	Order Code	Weight (in lbs.)	List Price
Air Operated	Direct	7441256	2	2,727.00
	Reverse	7441258	2	2,727.00

Remote Stainless Bulb (3/8" x 4" Bulb, 10 ft. capillary)

Includes 3/8" NPT Compression Fitting

Model	Action	Order Code	Weight (in lbs.)	List Price
Air Operated	Direct	7441272	2	3,808.00
	Reverse	7441273	2	3,808.00

Accritem® II Accessories

Description	Order Code	Weight (in lbs.)	List Price
Accessory Kit for Air or Gas	744 107	2.0	1,340.00
Socket Well—Copper	184 119	0.4	368.20

A WATTS Brand

Part No.	Description	List Price
006 379	COPPER TUBING	82.60
030 041	FIL HD BR SCREW	9.40
030 061	SCREW, BRASS 8-32 X 3/16"	9.80
030 066	SCREW, FIL HD BR	9.80
030 068	FIL HD BR SCREW	9.40
030 070	FIL HD BR SCREW	9.80
030 104	SCREW FIL HD BR	9.80
030 106	SCREW	9.40
030 109	FIL HD BR SCREW	9.40
030 126	FIL HD BR SCREW	9.40
030 211	10-32 X 3/8" SCREW	9.40
030 884	SCREW, ADJ. STOP 10-32 X 5/16"	9.40
030 885	SCREW FOR BONNET 10-32 X 1"	9.40
030 887	SCREW 10-24 X 9/16" LENGTH	9.80
030 889	SCREW	9.40
030 890	SCREW 10-24 X 3/4" LENGTH	9.80
030 895	SCREW	9.80
030126BP	PHILLIPS HEAD BRASS SCREW, QTY= 25	63.00
030542J	SCREW	9.80
030546J	SCREW	9.80
030884BP	SCREW, STAINLESS-BULK 50/KIT	85.50
030885BP	SCREW, STAINLESS-BULK 50/KIT	125.40
030887BP	SCREW. QTY= 25	35.30
030887JP	SCREW, QTY= 500	398.50
030889BP	SCREW- BULK 50/KIT	130.70
032 071	FL HD BR SCREW	9.40
032 072	FL HD BR SCREW	9.80
032465A	SCREW, 3/8-24 X 1/2" LG.	21.20
034 234	SCREW	9.80
034 377	SCREW, SET 10-32 X 3/8" STEEL	9.70
034 407	SCREW	9.80
034 413	SCREW 8-32 X 3/16"	9.80
034047G	SCREW, 6-32 X 5/16"-SERIES 460	9.80
034221G	OVAL PH HD SCREW	9.80
034223G	PHILLIPS HEAD SCREW	9.80
034224G	SCREW 8-32 X 1-1/4" LG	9.80
034413BP	SCREW, 8-32 x 3/16" QTY= 25	56.00
034510G	SCREW	9.80
034512K	SCREW, 8-32 X 1-1/4"	9.40
034515K	SCREW, 8-32 X 1/2" LG.	9.40
041 100	NUT, HEX BRS.	9.80
041 125	HEX BRS NUT	9.70
041 127	NUT, LOCK 1/4-28 BR.CHR.PLATE	8.25
041 142	HEX BRS NUT	9.70
041 226	NUT 3/8-16 BRASS OR ST. STL.	9.70
041167J	SCREW	9.80
041225K	NUT, SHAKEPROOF 5/16-18	9.70
042 672	BRASS NIPPLE 1/2"	27.50
042672A	NIPPLE	42.40

Part No.	Description	List Price
042672G	NIPPLE, 1-1/8" X 1/2"	35.70
043 342	PIPE PLUG, 2" BRASS	268.20
043 351	1/8" FEMALE BRASS PIPE TEE	38.80
043009C	THREAD PROTECTOR	9.80
043221G	REDUCING BUSHING	50.60
043401A	PIPE-TEE 1/2" POLISHED CHROME	98.10
043419A	3/4" THERM TEE ACCORN	171.40
043576G	ELBOW (420-100)	82.60
043810A	ESCUTCHEON PLATE	9.80
043819A	PIPE STRAP, POLISHED CHROME	160.10
043821A	3/4" PIPE STRAP POLISHED CHR.	172.00
043826A	1-1/4" PIPE STRAP POLISHED CHR	183.30
044 045	ELBOW, STREET 90 DEGREE	10.80
046007K	LOCKWASHER, SHAKEPROOF	9.80
046008K	WASHER, SHAKEPROOF STEEL	9.80
046011J	WASHER, SHAKEPROOF	9.70
046017BP	LOCK WASHER, QTY= 25	40.40
046164K	WASHER	9.80
047 002	O-RING	9.80
047 008	O-RING 5/16 X 7/16 X 1/16	9.80
047 010	O-RING	9.80
047 013	QUAD-RING 3/8 X 1/2 X 1/16	9.80
047 015	O-RING 11/16 X 7/8 X 3/32	9.80
047 020	RING	9.80
047 022	RING	9.80
047 025	O-RING 1-3/8 X 1-5/8 X 1/8	9.80
047 029	RING	9.80
047 031	RING	9.80
047 033	O-RING 1/2 X 5/8 X 1/16	9.80
047 034	O-RING 5/16 X 7/16 X 1/16	9.80
047 035	O-RING 2 X 2-1/4 X 1/8	9.80
047 036	RING	9.80
047 040	O-RING 3-3/8 X 3-5/8 X 1/8	9.80
047 043	QUAD RING 1/8 X 1/4 X 1/16	9.80
047 045	O-RING 1/4 X 3/8 X 1/16	9.80
047 047	RING	9.80
047 049	RING	9.20
047 108	O-RING	9.20
047 120	O-RING 7/8 X 1 X 1/16	9.80
047 125	QUAD RING	9.80
047 126	QUAD RING 3/8 X 1/2 X 1/16	9.80
047 128	O-RING 2-1/8 X 2-1/4 X 1/16	9.80
047 129	O-RING	9.80
047 130	O-RING 2-1/2 X 2-5/8 X 1/16	9.80
047 131	O-RING 1-3/16 X 1-5/16 X 1/16	9.80
047 132	O-RING 1-7/8 X 2 X 1/16	9.80

A WATTS Brand

Part No.	Description	List Price
047002BP	O-RING, QTY= 25	37.50
047015BP	O-RING, QTY= 25	36.70
047020JP	O-RING KIT QTY=. 500	165.40
047022BP	RING QTY= 25	72.50
047029BP	O-RING, QTY= 25	79.20
047029JP	O-RING, JUMBO QTY= 500	482.90
047031JP	O-RING, JUMBO, QTY= 500	224.00
047035BP	O-RING, QTY= 25	82.80
047040BP	O-RING, QTY= 25	152.80
047125BP	O-RING, QTY= 25	126.00
047126BP	QUAD RING-BULK, QTY= 25, KIT	143.90
047126JP	QUAD RING, QTY= 500	1,432.00
047128BP	O-RING- BULK ,QTY= 5, KIT	113.40
047130BP	O-RING, QTY= 25	53.20
080 008	SCREW 8-32 X 2-1/4 BRASS	9.80
080 009	SCREW	9.80
080 011	SCREW 8-32 X 2"	9.80
080 013	SCREW 8-32 X 1 BRASS FLAT HEAD	9.80
080 026	SCREW 8-32 X 3-1/2 POL.CHR.PL.	9.80
080 029	SCREW,10-32 FLAT HEAD	9.80
080 032	SCREW 1/4"-20 X 5/8" LG	9.80
080 034	SCREW 1/4 X 20 X1 STAINLESS	9.70
080 037	SCREW, TRIM PLATE	9.80
080 041	SCREW 8/32, 1-1/4" LONG	9.80
080 042	SCREW 8/32 X 3 1/2 V/PROOF	18.30
080 053	6-32 X 1/4 LG ST STL SCREW	9.80
080 072	SCREW 10-32 X 2" LG	9.80
080 076	SET SCREW	9.40
080010BP	SCREW, 8-32 X 2-3/4, QTY= 25	76.10
080022A	SCREW	9.80
080026BP	SCREW, QTY= 25	165.60
080042A	V/P SCREW, 8 32 X 3/4	9.80
081 008	NUT, 5/16 18 X 19/64 X 9/16	9.70
082 005	WASHER 1" OD	9.80
082005R	WASHER	9.80
084 007	O-RING 1 3/8 X 1 1/2 X 1/16	9.80
084 008	O-RING 2 X 2 3/16 X 3/32	9.80
084 009	O-RING 2 9/16 X 2 3/4 X 3/32	9.80
084 010	O-RING 3 1/4 X 3 1/2 X 1/8	9.80
084 014	O-RING 5/8 X 3/4 X 1/16	9.80
084 015	O-RING	9.80
084 016	O-RING, SILICONE	9.80
084 020	O-RING	9.80
084 029	O-RING	9.80
084 030	O-RING	9.80
084 031	O-RING	9.80
084 032	O-RING	12.00
084 033	O-RING	9.80
084 041	O-RING	9.80
084 042	O-RING	9.80

Part No.	Description	List Price
084 045	O-RING	9.20
084011JP	O-RING, JUMBO QTY= 500	904.90
084014BP	O-RING, QTY= 25	66.40
084023BP	OVERSIZE O-RING / QTY=.25 PCS	139.30
084025BP	O-RING, QTY= 25	57.60
084032BP	O-RING, QTY= 25	215.00
084033BP	O-RING, QTY= 25	215.00
087 126	SILICONE GEL CHEMPLEX 825	9.80
087126JP	SILICONE GEL, QTY= 500	802.40
084014BP	O-RING, QTY= 25	66.40
088 092	INSERTS, ROUGH IN	30.90
088 093	ROUGH IN, BOTTOM PAD	25.70
088 200	SET SCREW, 10 32 X .25 SS	9.80
089 003	WRENCH 3/32" SERVICE CR STL	9.80
089 004	WRENCH	9.80
0S19383	1" STEM EXT & DISK HOLDER ASSY	510.00
100 124	C WASHER SPRING TEMPER	9.80
100 140	WASHER .031 TH'K BRASS	9.80
100034A	WASHER BRIGHT NICKEL PLATE	9.80
105 058	HANDLE KIT 4"	37.00
105 059	HANDLE KIT 6"	73.40
105 060	CARTRIDGE KIT	206.50
105 061	BASE PLATE	73.40
105 062	BASE PLATE	97.60
105 064	SUPPLY TUBES	97.60
105 065	AERATOR 2 GPM	12.80
105 068	AERATOR 2 GPM	12.80
115 072	VALVE BODY	343.20
131 257	ESCUTCHEON, POLISHED	512.20
131 275	ILL. LOCK W/KEYS F/CABINETS FRO	268.20
131274A	KEY REPLACEMENT	46.20
132320A	TRANSFORMER & TIMER ASSY.	3,808.00
141 000	KIT, 1/2" CHECKSTOP	124.30
141000A	KIT, 1/2" CHECKSTOP, PC	135.20
141001BP	SOFT PART & PLUNGER	439.40
141 005	SLIDING PIECE FOR #9 HANDSHOWER	50.10
141 006	SLIDING PIECE FOR #1 and #2 HANDSHOWER	97.00
141 313	FLANGE FOR 141 198 POL. CHROME	33.60
141 320	ELBOW W/FLANGE	105.30
141 620	HANDLE KIT, INLINE DIVERTER	41.40
141 621	STEM KIT INLINE DIVERTER	75.00
141 622	TRIM KIT, INLINE DIVERTER	121.30
141 651	CHECKSTOP ASSEMBLY	15.10
141 809	SHOWER MTD W/SPRING (141 163)	78.10
141 831	TIMER, SSAC INC SINGLE SHOT	1,101.00
141 832	ILLINOIS LOCK W/2 KEY	295.50
141 833	PUSHBUTTON SWITCH W/SCREW CON	202.40
141 839	CARTRIDGE ASSY METERING VALVE	728.60
141 843	RING, THERMOMETER	21.80
141166A	HOSE ASSY 18' W/SHAMPOO HEAD	1,176.00

A WATTS Brand

Part No.	Description	List Price
141326B	1/2" ANGLE CHECK (S.J.)	133.10
141381F	SCREW (PKG OF 12)	49.90
141600A	TRIM KIT INLINE DIVERTER	167.30
141612B	INSERT, GRAPHIC	53.60
141741A	COLLAR REPAIR KIT DIVERTER VLV	167.30
141831A	TIMER SOCKET	116.90
141901N	SHOWERHEAD KIT	353.40
1420229	GAUGE, RECEIVER 1 1/2	237.10
1420373	POS. OUTPUT PRESSURE GAUGE	134.00
1420431	PRESSURE GAUGE	94.10
145 449	PLUG BUTTON ACRYLIC KNOB	9.80
147 122	TAKE OFF PLATE ST. STL. 46"	23.50
200 046	PIPE PLUG, 1/2" BRASS	23.40
200046G	PLUG 1/2" BRASS CHROME PLATE	32.60
220 050	METAL HANDLE KIT	89.20
220 051	METAL TRIM PLATE	141.90
220 052	ABS HANDLE KIT	78.30
220 053	ABS TRIM KIT	124.40
220 054	SLEEVE KIT	63.40
220 060	CARTRIDGE KIT	173.80
220 451	METAL UPGRADE KIT	349.90
220 452	ABS UPGRADE KIT	314.30
220 453	FLAT METAL UPGRADE KIT	404.10
225 073	SPRING, VALVE	9.80
225 350	H. CY. WRENCH KIT	397.20
225 404	HUVA CUP MODEL 8	9.80
225 444	BODY 1/2" ROUGH BRZ	544.10
225 445	BODY, BRIGHT CHROME 1/2"	587.20
225050BP	PACKING RING, QTY= 25	421.60
225078BP	RETAINER RING, QTY= 25	56.00
225257A	SCREW, RETAINING HANDLE	10.30
225261A	MIXER CVR	133.10
225294A	LOCK RING	63.90
225404BP	HUVA CUP, QTY= 25	187.40
225404JP	HUVA CUP, QTY= 250	1,578.00
227 164	PLUG BUTTON	10.80
227 166	RETAINER (DIAL INSERT)	35.30
227 196	SLEEVE	30.90
227 197	WASHER	9.80
227 214	STEM EXT KIT	117.50
227 354	CONTROL KNOB	34.70
227166BP	RETAINER RING, QTY= 15	451.90
227166JP	RETAINER RING, QTY= 50	1,276.00
227190BP	SPACER, QTY= 25	65.60
227192JP	RETAINER RING, QTY= 500	1,908.00
227280BP	GASKET 25 PCS TO KIT	35.90
227354A	CONTROL KNOB PLASTIC	52.40
227354JP	CONTROL KNOB, QTY= 50	989.10
230 042	CHECK STOP L.H.	346.40

Part No.	Description	List Price
230 045	CHECKSTOP	346.40
230 065	GASKET 1 9/16 X 1/32 THK	9.80
230 079	STEM	37.80
230 081	STEM	41.30
230 083	GASKET	9.80
230 084	SCREEN	9.80
230 103	POPPET SPRING	9.80
230 104	SCREEN	28.20
230 116	SCREEN	21.30
230 117	UNION NUT	60.50
230 123	POPPET SPRING	9.80
230 127	POPPET SPRING	9.80
230 129	1/2" TRIPLE DUTY P	78.30
230 132	TRIPLE DUTY POPPET K	117.50
230 134	3/4" TRI DUTY SCREEN	117.50
230 135	3/4" TRIP DUTY POP	117.50
230 136	1-1/4" TRI DUTY SCRIN	176.30
230 137	1-1/4" TRI DUTY POPPET	176.30
230 147	VOLUME STEM	48.10
230 186	POPPET	32.60
230 193	RT HND CHECK BODY ROUGH BRONZE	125.00
230 223	VOLUME STEM EXTENSION	67.90
230 261	CHECK STOP ASSEMBLY	286.70
230 262	CHECK STOP ASSEMBLY	268.80
230 269	3/4" STEM PLAIN	76.10
230 271	3/4" POPPET ASSEMBLY	31.30
230 281	CHECK STOP ASSEMBLY	310.70
230 289	STEM ASSEMBLY	129.30
230 293	1-1/4" POPPET ASSEMBLY	61.20
230067BP	GASKET, QTY= 25	246.00
230076A	BONNET	56.30
230078A	BONNET	72.60
230101BP	GASKET, QTY= 25	79.20
230103BP	SPRING, QTY= 25	143.90
230104BP	SCREEN, QTY= 15	409.40
230261M	3/4" ROUGH BRONZE CHECK STOP	540.70
230262G	CHECK STOP	610.80
230271JP	POPPET ASSEMBLY, QTY= 50	1,140.00
230281M	1-1/4" ROUGH BRONZE CK STOPS	921.20
230282G	BRT CHROME CHECK STOP	1,027.00
331 266	TUBE, PLASTIC	18.60
331 268	PLASTIC TUBE	18.60
390 001	MOTOR HOUSING	37.80
390 006	431 FUNNEL	35.00
390 010	ADAPTER, MOTOR	40.20
390 016	431 MOTOR REPLACEMENT KIT	681.00
390 017	432 MOTOR REPLACEMENT KIT	681.00
390 024	ADAPTER, MOTOR	74.80

A WATTS Brand

Part No.	Description	List Price
390 026	ADJUSTMENT LOCKING SCREW	9.20
390 036	432 ACTUATOR REPLACEMENT KIT	594.90
390 037	431 ACTUATOR REPLACEMENT KIT	594.90
390 039	434 ACTUATOR REPLACEMENT	894.00
390 048	COMPRESSION SPRING,HELICAL	10.30
390 051	GASKET, MOTOR HOUSING	9.80
390 056	BUSHING 1" X 1/2" HEX	24.90
390 065	433 ACTUATOR REPLACEMENT KIT	742.60
390 066	434 ACTUATOR REPLACEMENT KIT	879.10
390 067	431 POPPET REPLACEMENT KIT	498.00
390 068	432 POPPET REPLACEMENT KIT	555.20
390 069	433 POPPET REPLACEMENT KIT	932.70
390 070	434 POPPET REPLACEMENT KIT	977.80
390 095	GASKET	14.10
390 144	MOTOR HOUSING CAP	182.90
390 155	RETURN SPRING	9.80
390 162	RETURN SPRING	12.10
390 198	GASKET, MOTOR HOUSING	9.80
390 201	MOTOR FAILURE SPRING	9.80
390 243	GASKET, MOTOR HOUSING	9.80
390 248	SPRING, MOTOR FAILURE N 125	9.80
390 254	ADJUSTMENT KNOB RETAINER	30.90
390 256	ADJUSTMENT KNOB RETAINER	42.70
390 294	431 HYDRO GASKET REP	117.50
390 298	432 HYDRO GASKET REP	117.50
390 302	433 HYDRO GASKET REP	176.30
390 306	434 HYDRO GASKET REP	187.40
390 342	ADJUSTMENT KNOB, ROUGH BEZ	98.10
390 468	434 POPPET KIT, PRIOR FEB '91	932.70
390 491	POPPET	150.70
390491JP	POPPET, QTY= 10	1,211.00
390 500	432 HI/LO MOTOR REPL. KIT	548.50
390 504	MOTOR ADAPTER	75.00
390 505	MOTOR ADAPTER	37.80
390 507	WAX MOTOR	105.70
390 511	433 VALVE UPGRADE KIT	1,022.00
390 512	434 VALVE UPGRADE KIT	1,109.00
390 543	1434 MOTOR REPLACEMENT KIT	836.50
390 546	ADJUSTMENT SCREW	12.60
390 571	WRENCH	38.30
390 579	ACTUATOR REPLACEMENT KIT	125.40
390 580	CARTRIDGE REPLACEMENT KIT	288.10
390 581	GASKET'S O-RING KIT	27.20
390 619	ACTUATOR	134.00
390 620	SPRING	9.40
390 671	ACTUATOR	260.60
390 777	TEMPERATURE ADJUSTMENT SCREW	9.80
390 795	ADJUSTMENT LOCKING SCREW	9.80
390 800	CHECKSTOP REBUILD KIT	131.00

Part No.	Description	List Price
390 801	CHECKSTOP REBUILD KIT	151.90
390 802	PLUNGER KIT	35.10
390 803	PLUNGER KIT	39.00
390 804	SET SCREW	17.30
390 805	O-RING	9.90
390 806	O-RING	9.90
390 807	ACTUATOR	148.20
390 808	ACTUATOR	148.20
390 809	ACTUATOR	259.20
390 810	ACTUATOR	237.30
390 812	PLUNGER KIT	93.10
390 813	O-RING	9.90
390 814	ACTUATOR	690.40
390 815	ACTUATOR	743.40
390 816	PLUNGER KIT	96.30
390 826	FUNNEL KIT	241.70
390 827	FUNNEL KIT	271.90
390 828	FUNNEL KIT	313.70
390035BP	POPPET KIT (10)	1,081.00
390035JP	POPPET, QTY= 15	1,376.00
390046BP	POPPET, QTY= 25	253.50
390047JP	COPPER GASKET, QTY= 100	987.50
390051BP	GASKET MOTOR HOUSING, QTY= 25	143.30
390146JP	POPPET, QTY= 15	1,491.00
390155BP	SPRING, QTY= 25	168.40
390166A	SCREW, ADJ	17.50
390228BP	POPPET, QTY= 10	947.90
390228JP	POPPET, QTY= 15	1,211.00
390230JP	POPPET, QTY= 25	1,614.00
390247BP	POPPET STEM. QTY= 25	365.90
390248BP	SPRING, QTY= 25	86.30
390343A	ADJUSTMENT SCREW	9.80
390485BP	POPPET	350.60
390485JP	POPPET, QTY= 5	1,485.00
390493BP	POPPET, QTY= 5	851.90
390493JP	POPPET, QTY= 10	1,449.00
400 023	SHUT OFF DISC	9.80
400 065	HARDWARE PACKAGE	9.40
400 066	HARDWARE PACKAGE	30.40
400 068	HARDWARE PACKAGE	22.70
400 078	HARDWARE PKG KIT	93.80
400 085	CONVERSION KIT FOR 406 DIVERTER	109.50
400023BP	SHUTOFF DISC BULK, QTY= 25	79.20
400023JP	SHUTOFF DISC, QTY= 500	987.50
401 086	PLASTIC HANDLE	72.80

A WATTS Brand

Part No.	Description	List Price
401 087	ESCUTCHEON, PLASTIC	63.00
401 093	INDICATOR LABEL	9.80
401 146	THROTTLING STEM MOLDED	9.80
401 161	RUBBER GASKET	9.80
401 162	BONNET MOLDED R/B 401162BP	48.50
401 165	MAX. TEMPERATURE STOP	9.80
401 175	BAL CHAMBER REPL KIT 400 & 410	206.50
401 176	STEM REPL KIT 400 HYDROGUARD MD4	59.60
401 177	SELECTOR DIAL	82.80
401 202	BAL. CHAMBER EXTRACTOR KIT	54.40
401 210	STRAINER CAP	9.80
401 218	MAX. TEMPERATURE STOP	9.80
401 229	ADHESIVE GASKET	9.80
401 230	DIAL ASSEMBLY	151.70
401 231	SELECTOR DIAL	57.40
401 253	SLEEVE	30.90
401 267	SLEEVE	17.20
401 278	STOP, ADJUSTABLE	9.80
401090A	PLUG BUTTON	9.80
401092BP	NAME PLATE, QTY= 25	292.20
401092JP	NAME PLATE, QTY= 100	755.20
401161BP	RUBBER GASKET BULK 25/KIT	81.10
401162BP	BONNET, QTY= 15	612.50
401218BP	MAX TEMP STOP BULK 25/KIT	172.40
401225BP	RETAINER, QTY= 25	215.00
401230A	DIAL ASSEM KIT 400 HYD MD4	314.80
401230B	401 COMPLETE DIAL ASSEMBLY	378.40
401267JP	SLEEVE QTY=100	1,100.00
403 005	NUT ADJUSTMENT SCREW	9.80
403 007	PIPE PLUG BRASS	9.80
403005G	ADJUSTING SCREW NUT	9.40
410 138	SHUT OFF DISC SPG	9.80
410 145	WASHER, WAVY	9.80
410 146	GASKET	17.10
410 147	LIMIT STOP	9.80
410 157	VOLUME VALVE	9.80
410 182	SER 410 HYDRO GASKET REPL KIT	49.20
410 183	410 BAL CHAMBER REPL	199.00
410 191	HANDLE	152.50
410 195	PLUG BUTTON	12.10
410 203	COUPLING	12.60
410 233	STEM EXTENSION KIT	53.20
410 243	VALVE BODY MACHINED	245.90
410 248	BAL CHAMBR KIT 440 FOTOPL	222.40
410 284	GASKET	9.80
410 330	CHAMBER ASSEMBLY	60.50
410 339	RETAINER (FOR DIE, CAST DIAL)	21.20
410 346	BONNET	64.60
410 352	BONNET	203.30

Part No.	Description	List Price
410 365	LEVER HANDLE SCREW KIT (10)	32.60
410 366	O RING KIT, 047 020 QTY=.25	25.10
410 367	RETAINER KIT (10)	90.20
410 368	WASHER KIT (15 PER KIT)	43.00
410 369	WAVY WASHER KIT (10 PER KIT)	32.60
410 370	GASKET KIT (10)	41.60
410 371	SPLINED STOP 400 KIT (6)	49.20
410 372	VOLUME VLV KIT 410 (2)	40.50
410 374	DIAL INSERT STD	38.50
410 375	THROTTLING STEM ASSEMBLY	52.40
410 377	SUPPORT RING	26.90
410 378	STEM REPLACEMENT KIT	82.80
410 384	LEVER HANDLE KIT	117.50
410 389	DIAL ASSEMBLY KIT	265.10
410 393	PLASTIC BONNET (410 111)	43.30
410 396	BONNET KIT	129.30
410 413	DIAL 410	77.90
410 427	SPRING GUIDE FLOW RESTRICTOR	9.80
410 430	DIAL INSERT	23.40
410 440	BALANCE CHAMBER ASSEMBLY	133.10
410 442	410 GRAPHIC INSERT ASSEMBLY	40.40
410 445	STANDARD 410 DIAL ASSEMBLY GRAY	168.40
410 447	410 KNOB ASSEMBLY, ACRYLIC	83.00
410 448	410 LEVER ASSEMBLY	83.00
410 460	PLUG DIVERTER	73.10
410 565	TRI HANDLE KIT	160.50
410 570	SEAL KIT, OVER SIZE 410 INLET	40.50
410138BP	SHUTOFF DISC SPRING BULK, QTY=25	130.70
410144JP	WASHER, QTY= 500	140.20
410145JP	WASHER, QTY= 500	623.20
410146BP	GASKET, QTY= 10	154.20
410146JP	GASKET, QTY= 500	7,272.00
410284BP	GASKETS 410 BULK PK, QTY= 25	71.90
410374BP	DIAL INSERT, QTY= 15	476.70
410375BP	STEM ASSY, QTY=15	743.80
410375JP	STEM ASSEMBLY, QTY= 25	1,181.00
410378A	STEM REPLACEMENT KIT	144.00
410393JP	BONNET, QTY= 50	1,824.00
410413JP	DIAL PLATE, QTY= 25	1,644.00
410427BP	FLOW RESTRICTOR 410, QTY= 25	129.30
410442BP	GRAPHIC INSERT QTY= 15	499.70
410448BP	410 LEVER HANDLE KIT, QTY= 10	807.90
420 034	VALVE ASSEMBLY	596.80
420 102	WASHER KIT	51.10
420 104	EYE BOLT	25.40
420 114	VALVE	269.30
420 124	TEMP STOP	9.20
420 128	VALVE ASSEMBLY	874.90
420 130	GASKET	9.80

A WATTS Brand

Part No.	Description	List Price
420 143	VALVE ASSEMBLY	617.30
420 166	DIAL POLISHED FINISH	82.60
420 182	DIAL ASSEMBLY KIT	265.10
420 202	ROUGHING IN GUIDE	9.80
420 212	MAX. TEMP. STOP KIT (5)	54.40
420 213	LUCITE HANDLE INSERT KIT (2)	54.40
420 214	BONNET SCREW KIT (12)	46.90
420 215	HANDLE SCREW (4)	27.90
420 216	DIAL RETAINING SCREW KIT (20)	56.30
420 217	MTG SCREW KIT 20 PCS 080 013	118.90
420 218	LEVER HANDLE SCREW KIT (10)	38.70
420 225	PLUG BUTTON KIT (4 PIECES)	65.00
420 230	HANDLE ASSEMBLY R/B 420 243	129.30
420 232	SLEEVE KIT	30.50
420 237	RAINBOW INSERT FOR 420	38.30
420 239	MOUNTING KIT	162.30
420 242	427 TRI HANDLE KIT	164.30
420 243	420 LEVER HANDLE KIT	133.10
420 272	TRIM PACKAGE W/ST STL DIAL	144.00
420 300	KNOB ACRYLIC	38.30
420 308	GRAPHIC INSERT ASSEM, 420	41.80
420 314	PLUG BUTTON W/INSERTS	21.60
420 328	NAME PLATE TRIM	38.80
420 330	NAME PLATE & BASE PLATE ASSEMBLY	86.30
420 335	420 DIAL ASSEMBLY, GREY INSERT	168.40
420 336	420 LEVER ASSEMBLY	168.40
420 337	KNOB KIT 420, MODEL 8	168.40
420 356	420 LEVER ASSEMBLY	195.20
420 357	KIT, FULL UPGRADE MODELS 1-10 LCM	807.70
e420449	440 FOTOGUARD BODY ASSY	816.30
e420450	440 BODY ASY BR CHR MD7	1,206.00
420 451	KIT, FULL UPGRADE STD. MODELS 1-10	556.30
420 452	CARTRIDGE MODEL 1-10	95.80
420 453	WAX MOTOR KIT,STD. MODELS 1 10	124.80
420 454	BONNET KIT, MODELS 1 10	397.20
420 456	SEAL KIT, MODELS 1 10	23.00
420 481	PLASTIC KNOB KIT	117.50
420 495	410 LEVER HANDLE KIT	93.80
420 508	RING, PACK STOP BRASS MODEL 8	9.80
420 524	O-RING KIT UNDER COUNTER MIXER	18.60
420 534	VALVE ASSEMBLY	464.40
420 578	PACKING GLAND	20.60
420 616	UPGRADE KIT, STD. TEMP.	360.50
420124JP	TEMPERATURE STOP QTY=100	908.40

Part No.	Description	List Price
420125BP	KNOB INSERT, QTY= 25	421.60
420125JP	KNOB INSERT QTY= 100	1,100.00
420166BP	DIAL PLATE, QTY= 15	1,026.00
420166JP	DIAL PLATE QTY= 25	1,181.00
420190JP	KNOB & SLEEVE QTY= 25	947.90
420230A	419 LEVER HANDLE	109.50
420231BP	LEVER HANDLE QTY= 15	659.90
420231JP	LEVER HANDLE, QTY= 50	1,623.00
420232JP	SLEEVE, QTY= 50	1,175.00
420237BP	DIAL INSERT, QTY= 15	484.20
420237JP	DIAL INSERT QTY= 50	1,376.00
420265BP	STOP RING QTY= 25	137.00
420301E	HANDLE, LEVER CHROME PLATED	78.10
420308BP	GRAPHIC INSERT QTY= 15	505.80
420451C	KIT, HIGH CAPACITY CONVERSION, MOD. 1-10	556.30
420451H	KIT, FULL UPGRADE, HIGH TEMP. MOD. 1-10	556.30
420451L	KIT, FULL UPGRADE, LOW TEMP. MOD. 1-10	556.30
420452C	CARTRIDGE ASSEMBLY TYPE "H" CAP	95.80
420453H	WAX MOTOR HIGH TEMP. MOD. 1-10	124.80
420453L	WAX MOTOR LOW TEMP. MOD. 1-10	124.80
420508BP	PACKING RING, QTY= 25	187.40
420508JP	PACKING RING QTY= 250	1,468.00
420615L	UPGRADE KIT, UTC, LOW TEMP.	360.50
420616H	UPGRADE KIT, HIGH TEMP.	360.50
427 017	CARTRIDGE ASSY.	143.90
H427017	CARTRIDGE ASSY.	190.00
427 019	BONNET ASSY.	208.50
427 200	UPGRADE KIT 427	582.50
427 201	UPGRADE KIT - LOW TEMP, 427	651.30
427 202	UPGRADE KIT - HIGH TEMP, 427	651.30
427 250	MOTOR KIT - STANDARD TEMP	247.40
427 251	MOTOR KIT - LOW TEMP	247.40
427 252	MOTOR KIT - HI TEMP	247.40
H427200	e427 UPGRADE KIT MODEL 1-3	582.50
H427201	e427 UPGRADE KIT LOW TEMP.	652.60
H427202	e427 UPGRADE KIT HI TEMP.	652.60
430 016	TEMP ADJ LOCK SCREW KIT (10)	46.90
430 017	431 TEMP. ADJ. LOCKSCREW KIT	46.90
430 020	MAX. TEMP. ADJ. KIT	49.20
430 021	SPRING KIT	49.20
436 036	WASHER	9.80
440 034	VOLUME KNOB	67.90
440 035	VOLUME KNOB	48.60

A WATTS Brand

Part No.	Description	List Price
440 041	DIAL	98.10
440 059	DIAL INSERT FOR FOTOGUARD	136.80
440 103	CONNECTOR	113.90
440 121	VOLUME STEM EXTENSION	163.70
440 125	SHUT OFF VALVE STEM EXT	40.10
440 145	ON OFF VALVE REPAIR KIT MDL5	77.90
440 151	SHUT OFF DISC	15.50
440 152	SHUT OFF DISC SPRING	9.80
440 154	SHUT OFF MANIFOLD	86.30
440 157	ADAPTOR	20.70
440 158	SPRING GUIDE	9.90
440 159	SHUT OFF STEM ASSEMBLY	137.00
440 160	SHUT OFF STEM ASSEMBLY	324.70
440 167	HANDLE SCREW	17.30
440 168	HANDLE SCREW	21.30
440 169	SHUT OFF HANDLE	40.10
440 170	VOLUME STEM EXTENSION	63.90
440 171	VOLUME STEM EXTENSION	152.00
440 172	VOLUME HANDLE	55.00
440 173	KNOB INSERT	133.10
440 175	440 CABINET	1,421.00
440 176	CABINET FOR FOTOPANEL	1,273.00
440 177	CONNECTOR	245.10
440 178	THERMOMETER MANIFOLD MOLD	121.30
440 205	ON OFF VALVE REPLACEMENT UNIT	431.60
440 207	DIAL POL FOR 440 208	164.30
440 212	NAME PLATE	19.40
440 223	QUAD RING KIT 440 FOTO (7)	49.20
440 224	WASHER KIT (8 PC)	52.40
440 231	BRACKET MOUNTING	152.00
440 235	VALVE REPLCMT UNIT FOR 440 3000	603.80
440174A	FRONT PANEL	299.00
444 126	SCREWDRIVER ESP SHOWER	17.30
444 135	COVER KIT	19.40
444 142	JUNCTION BOX ASSEM	69.50
444 174	SOLENOID VALVE	602.60
444 183	SOLENOID REPAIR KIT	362.90
444 199	CABLE EXTENSION MODIFIED	137.00
444 254	SOLENOID ADAPTER	61.50
444 260	SWITCH PIEZO	322.20
444 308	LOCK NUT, 1-3/8" 18	28.70
444 416	SWITCH PIEZO	330.10
445 102	BODY, STEAM & WATER MIXER	976.70
445 105	BONNET PLAIN	369.10
450 135	MOUNTING BRACKET	94.10
450 136	PIPE STRAPS	10.80
450 268	SOAP DISH HYDRO II	160.10
450 270	DIAL INSERT	48.60
450 271	SCREW. 8-32 X 1/2" POLISHED	9.80
450 272	SCREW DIAL INSERT V/P	25.40

Part No.	Description	List Price
450 274	SCREW	9.80
450 276	SCREW	12.10
450 277	GASKET, SHOWER HEAD BASE	9.80
450 295	BRACKET, MOUNTING	60.50
450 327	SHROUD EXTENSION 24" BRACKET	279.90
450 334	BRACKETS, MTG	98.00
450 356	COVER PLATE	256.70
450183B	BACK PLATE ASSEMBLY	327.60
450192RK	SLEEVE KIT	72.60
450267G	SHOWER HEAD BASE	312.50
450269G	CAP. END CHROME PLATE	90.20
450273A	SCREW	9.80
460 041	ADJ KNOB ASSEMBLY	490.80
460 172	RED INDICATOR LIGHT	120.90
460 173	MINIATURE LAMP	25.10
460 231	CABINET DOOR ASSY	882.90
460 248	SWITCH, SELECTOR	402.00
460 323	TIMER W/KNOB & POTENTIOMETER	1,078.00
460053R	REBUILD KIT 1-1/2"	764.00
473 010	LEVER HANDLE	156.40
473 016	GASKET	12.00
473 021	CROSS	102.50
473 022	NUT COMP.	17.90
473 035	HANDLE KIT	179.80
473 037	KIT, STEM EXTENSION	137.00
473 042	KIT, POWDER COATED SCREW	23.80
473 045	INSTALLATION KIT	30.80
480 270	MOTOR REPLACEMENT KIT	57.60
590 088	VLV PKG KIT 200 PCS 591 490	1,716.00
590 131	BONNET	265.50
590 134	BONNET	249.70
590 140	BONNET	325.20
590 164	MOLYKOTE LUBRICANT	175.60
590 203	STEM EXTENSION	86.50
590 204	STEM EXT.	47.40
590 233	UNION TAIL PIECE	198.20
590 234	UNION NUT	91.20
590 328	STOP SLEEVE	57.60
590 329	STOP SLEEVE	268.20
590 462	STEM EXT SPACER	10.50
590 464	STEM EXT SPACER	23.50
590 487	1/2" VALVE BODY	198.20
590 488	VALVE BODY	299.00
590 567	1/2" POPPET	425.20
590 568	POPPET	476.60
590 569	POPPET	581.10
590 575	POPPET	299.00
590 584	VALVE BODY	299.00
590 585	VALVE BODY	299.00
590 604	STEM RETAINER	29.60

A WATTS Brand

Part No.	Description	List Price	Part No.	Description	List Price
590 605	STEM RETAINER	94.10	591 766	1" THROTTLING PLUG	155.30
590 606	STEM RETAINER	63.30	591 767	1-1/4" THROTTLING PLUG	155.30
590 608	VALVE SEAT	69.60	591 768	1-1/2" THROTTLING PLUG	86.50
590 610	VALVE SEAT	86.50	591 769	2" THROTTLING PLUG	175.60
590 612	VALVE SEAT	109.20	591 770	3/4" VALVE DISC HOLDER	47.40
590 623	DISC GUIDE	60.20	591 771	1" VALVE DISC HOLDER	125.00
590 624	DISC GUIDE	23.50	591 772	1-1/4" VALVE DISC HOLDER	29.60
590 650	POPPET	113.90	591 773	1-1/2" VALVE DISC HOLDER	94.10
590 651	POPPET	94.10	591 774	2" VALVE DISC HOLDER	198.20
590 664	POPPET	82.60	591 775	3/4" VALVE DISC	23.50
590 665	POPPET	121.30	591 776	1" VALVE DISC	18.60
590 666	R.A.POPPET	121.30	591 777	VALVE DISC	17.50
590 667	R.A.POPPET	121.30	591 778	1-1/2" VALVE DISC	17.50
590 668	VALVE BODY	316.40	591 779	2" VALVE DISC	119.60
590 684	VALVE SEAT	194.40	591 781	1" VALVE CAP	194.40
590 690	HLDR & STEM EXT ASY	434.10	591 783	PACKING GLAND ASSEMBLY	76.50
590 691	HOLDR & STEM EXT ASY	434.10	591 786	STEM ASSEM 3/4" & 1" VALVES	278.70
590 692	COMP DISC/HOLDER/STEM EXT ASSY	498.70	591 789	1-1/4" VALVE STEM ASSEMBLY	278.70
590 693	STEM EXTENSION	74.80	591 790	1- 1/2" VALVE STEM	278.70
590 743	STEM EXT & HLDR ASY	334.20	591 791	VALVE STEM ASSEMBLY	278.70
590 746	VALVE SEAT	88.60	591 792	1-1/4" VALVE STEM	175.60
590 748	VALVE SEAT	171.30	591 793	1-1/2" VALVE STEM	125.00
590 749	DISC HOLDER	94.10	591 795	COLLAR	69.60
590 756	DISC HOLDER	74.80	591 796	BEARING	17.50
590 757	THRUST COLLAR	57.60	591 797	BEARING	9.80
590 758	DISC GUIDE	46.40	591 798	PACKING SPACER	49.70
590 759	DISC GUIDE	40.60	591 802	STOP SLEEVE	144.00
590 760	DISC GUIDE	34.40	591 803	STOP SLEEVE	74.80
590 762	SPACER	40.60	591 903	VALVE DISC 2"	264.40
590 763	PACKING GLAND ASSY	47.30	591 907	NUT DA	94.20
590 775	DISC SLEEVE	57.60	591 912	DA NUT	29.60
590 779	STEM EXT & HLDR ASY	439.40	591 919	WASHER (1/2" TO 1")	9.80
590 807	SPRING ADJM SCREW	57.60	591 920	PACKING SPRING (1/2" TO 1")	9.80
590 813	SPG POSITION INDTR	9.80	591 921	PACKING ASSEMBLY (1/2" TO 1")	69.60
590 815	PISTON PLATE WASHER	9.80	591 922	SPACER (1/2" TO 1")	15.50
590 816	PISTON PL RTNING SCR	9.80	591 923	WASHER (1-1/4" TO 2")	9.80
590 820	ADJUSTING ROD	8.25	591 924	PACKING SPRING (1-1/4" TO 2")	9.80
590 821	SPRING	57.60	591 925	PACKING ASSEMBLY (1-1/4")	189.70
590 829	SPRING ADJM NUT ASY	74.70	591 926	SPACER (1-1/4" TO 2")	9.80
590 859	LOWER HOUSING ASSY	299.80	591 927	STEAM SERVICE PKG KIT	169.30
590607A	RETAINING NUT STOP	52.00	591 928	STEAM SERVICE PACKING KIT	189.70
590607B	RETAINING STOP NUT	52.00	591 949	POPPET 1-1/4" S.S.	409.90
590808B	STEM EXTENSION	17.50	591 950	1-1/2" S S POPPET DIRECT & REV	523.30
591 692	3" DISC HOLDER ASSY	1,293.00	591 951	2" S S POPPET DIRECT & REV	624.70
591 732	VALVE ASSEMBLY	2,045.00	591 957	PACKING SET FOR FLOWWRITES	39.30
591 733	VALVE ASSEMBLY	2,115.00	591 958	CHEVRON PKG	57.60
591 750	BODY, 3/4" VALVE, DIRECT ACTING	476.60	591 974	VALVE REPAIR/REBUILD KIT	715.80
591 760	3/4" BONNET	292.30	591 975	REBUILDING KIT	1,266.00
591 762	1-1/4" BONNET	325.20	591 980	VLV REBUILD/REPAIR KIT WM	1,296.00
591 765	3/4" THROTTLING PLUG	86.50	591 989	REBUILD KIT 4" FL II	8,187.00

A WATTS Brand

Part No.	Description	List Price
591922A	SPACER	13.50
593002E	MTG.KIT I/P & POS., 46" ACT.	817.80
594 080	PACKING SET TFE 1/4" DIA. STEM	86.50
594 081	PACKING SET TFE 3/8" DIA. STEM	86.50
594 090	PACKING SET EP 1/4" DIA. STEM	34.90
594 091	PACKING SET EP 3/8" DIA. STEM	34.90
594 104	BONNET 1/2"	237.10
594 106	CAP 1/2"	125.00
594 107	VALVE SEAT 1/2"	175.60
594 118	WASHER FOR 1/4" DIA. STEM	9.80
594 119	WASHER FOR 3/8" DIA. STEM	9.80
594 126	BONNET, MACHINED 3/4" & 1"	237.10
594 129	VALVE SEAT FOR REPAIR ONLY	210.00
594 137	BONNET	283.70
594 140	VALVE SEAT 1-1/4" N.C.	216.60
594 152	BONNET 2"	392.00
594 155	VALVE SEAT	241.00
594 157	PACKING NUT ASSEM. 1/4" STEM	47.30
594 158	PACKING NUT ASSEM. 3/8" STEM	56.30
594 170	PACKING RING	9.20
594 171	PACKING RING	9.80
594 194	CAP 3/4" & 1"	133.10
594 195	CAP 1-1/4" & 1-1/2"	175.60
594 196	CAP 2"	198.20
594 220	WATER SERVICE PACKING KIT 1/4"	94.20
594 221	WATER SERVICE PKG KIT 3/8"	136.70
594 251	LOCK NUT	89.10
594 289	WATER PACKING KIT FOR 1" VALVE	78.40
594 290	WATER PACKING KIT 3/8" 4 SETS	76.50
594 354	2" BRONZE POPPET ASSEMBLY	537.20
594 370	GASKET 5" KECKLEY VALVE	283.70
594 451	2" VALVE BODY RA	929.90
594 456	2" BONNET	299.80
594 457	BONNET	418.60
594 466	VALVE CAP 2"	194.40
594 467	1" BONNET	189.70
594 468	BONNET	367.50
594 470	VALVE CAP 1-1/2"	155.30
594 472	CAP 1-1/2"	94.20
594 475	VALVE SEAT 1-1/2"	171.30
594 477	1-1/2" VALVE BODY	624.70
594 478	VALVE BODY	621.40
594 479	1-1/2" BONNET	418.60
594 481	1-1/2" BONNET	256.00
594 488	1-1/4" RA 3 WAY VALVE	384.70
594 489	VALVE BODY	393.50
594 490	1-1/4" D.A. VALVE BODY	306.20
594 499	BONNET	183.50
594 500	1" VALVE BODY, R.A. 3 WAY	279.90

Part No.	Description	List Price
594 501	1" VALVE BODY	438.50
594 504	1" CD VALVE BODY	392.00
594 505	BODY	252.60
594 506	BODY	342.30
594 513	VALVE SEAT 1"	175.60
594 515	YOKE & BRIDGE ASSEMBLY BLUE	86.50
594 542	BODY & SEAT ASSEMBLY	864.60
594 549	1-1/4" N.O. STEM ASSEMBLY	438.50
594 550	STEM ASSY 1-1/2"	469.30
594 551	2" N.O. STEM ASSY	473.30
594 568	BODY & SEAT ASSEMBLY	612.70
594 570	1/2" N.O VALVE STEM ASSEMBLY	330.10
594 571	VALVE STEM ASSEMBLY N.O.	438.50
594 572	N.O. VALVE STEM ASSEMBLY (1")	392.00
594 819	STEM ASSEMBLY	86.50
594813A	STEM ASSEMBLY	125.00
594814D	STEM ASSEMBLY	128.90
594814H	STEM ASSEMBLY	128.90
594815A	STEM ASSEMBLY	125.00
594816E	STEM ASSEMBLY	125.00
594816F	STEM	125.00
594817A	STEM ASSEMBLY	125.00
594818A	STEM ASSEMBLY	125.00
595 496	PARTS KIT #11 REG	38.70
595 499	NAME PLATE	9.80
595 501	INNER SPRING #11 LOWER HOUSING	23.50
595 502	OUTER SPRING #11 LOWER HOUSING	34.90
595 503	SPRING GUIDE WASHER #11 REG.	9.80
596 150	DIAPHRAGM	316.40
596 151	ROLLING DIAPHRAGM	721.10
601 004	UNION NUT 1/2"	52.30
601 005	UNION TAIL PIECE 1 5/16" DIA.	29.60
601 010	SPACER BUSHINGS	20.50
601 016	1/2" BODY ASSEM	419.40
601 019	STEM HEAD RETAINER 1/2" R.A.	113.90
601 090	VALVE STOP REVERSE ACTING	74.80
601 091	VALVE STOP REVERSE ACTING	52.30
601 092	VALVE STOP REVERSE ACTING	57.60
601 093	VALVE STOP REVERSE ACTING	121.30
602 004	UNION NUT FOR 3/4" VALVE R.A	47.40
602 005	UNION TAIL PIECE 3/4" VALVE	40.60
603 003	1" POPPET	411.30
603 012	STEM HEAD RETAINER BALANCED VALVES	9.80
604 003	POPPET	438.50
605 003	POPPET	438.50
609 003	UNION TAIL PIECE 1" BALANCED VALVES	86.50
609 004	UNION NUT 1" BALANCED VALVES	69.60
609 009	SPACER BUSHING	23.50
609 019	SPACER BUSHING	23.50

A WATTS Brand

Part No.	Description	List Price
609 021	SPACER BUSHING	74.80
609019A	SPACER BUSHING	15.50
609019B	SPACER BUSHING	33.00
609019C	STOP SLEEVE	9.80
610 003	UNION TAIL PIECE 1-1/4" VALVE	136.70
610 004	UNION NUT 1-1/4" BAL. VALVE	121.30
611 003	UNION TAIL PIECE 1-1/2" VALVE	155.30
611 004	UNION NUT	125.00
612 049	UPPER POPPET SEAT 2" BAL. VALVE	316.40
612 051	LOWER POPPET SEAT 2" BAL. VALVE	316.40
612 100	STEM HEAD RETAINER	57.60
628 008	LOCKNUT 1-3/8" HEX. VALVE BONNET	25.50
653 002	DISC HOLDER	86.50
653 003	DISC HOLDER	269.90
653 004	DISC HOLDER	269.90
653 005	DISC HOLDER	248.60
653 062	DISK	125.00
653 063	VALVE DISC 3/4" TEFLON	314.20
653 064	DISC	265.60
653 163	DISC	115.40
653 164	DISC	82.60
653 213	TEFLON VALVE DISC	287.70
653 214	1-1/4" TEFLON DISC	172.00
653 215	TEFLON DISC	167.40
653 216	TEFLON DISC	185.10
653 220	3/4" TEFLON DISC	105.30
653 225	VALVE DISC, 3/4"	14.10
653 226	VALVE DISC, 1"	17.10
653 227	VALVE DISC, 1-1/4"	19.40
653 228	VALVE DISC, 1-1/2"	25.90
653 229	VALVE DISC, 2"	28.70
654 009	DISC RETAINER NUT	43.30
654 010	DISC RETAINER NUT	104.10
654 011	DISC RETAINER NUT	35.00
654 012	DISC RETAINER NUT	86.50
654 016	STEM RETAINER	18.30
654 017	STEM RETAINER	13.60
654 019	STEM RETAINER	16.10
656 311	STEM HOLDER & DISC ASSEMBLY	493.20
656 527	CAP	104.20
656 528	3/4" VALVE CAP	86.50
672 615	FLOWRITE ACTUATOR LARGE SPRING	34.90
672 626	DIAPHRAGM, ACTUATOR	190.90
672 627	ACTUATOR THRUST PLATE	86.50
672 636	FR ACTUATOR STEM, DA, 1/4" TH'D	160.10
672 641	BEARING, STEM	9.80
672 642	SPRING	23.50
672 645	SPRING	71.00
672 646	SPRING	71.00
672 720	SCALE	40.20

Part No.	Description	List Price
672 721	SCALE 3/4 STROKE	46.20
672 722	SCALE	46.20
672 724	YOKE (PAINTED & MACHINED)	207.70
672618E	STEM BUSHING	98.10
672632A	TOP HOUSING	144.00
672633A	BOTTOM HOUSING PAINTED	133.10
672636A	FR ACTUATOR STEM, RA, 1/4 TH'D	160.10
672638B	WASHER INDICATOR	9.80
672723A	SCALE	17.90
700 424	GAUGE DIAL	17.50
700 713	HOUSING, #11 REG	94.20
705 005	1" TANK FTG	53.90
705 006	1-1/4" TANK FTG	224.30
708 036	STEM HEAD RETAINER	57.60
709 075	WELL ASSEMBLY	610.80
709 166	BELLOWS STOP	9.80
744 061	STOP PIN	8.25
744 062	GUIDE BUSHING	9.80
744 072	RESTRICTION SCREW	9.80
744 075	VALVE SPRING	9.80
744 078	ADJUSTING KNOB	23.50
744 082	WELL ASSEMBLY	1,519.00
744 083	GASKET	9.80
744 102	ACC KIT FOR ACCRITEM	312.10
744 124	SPG RETAINING SCREW	9.80
744 131	VALVE SEAT	51.70
744 134	RESTRICTOR SCREW	98.10
744 151	LEVER	76.50
744 154	LEVER PIVOT	9.80
744 163	VALVE	50.60
744 168	KIT	188.40
744 172	SENSITIVE TUBE ASSEMBLY	307.90
744 175	ADJUSTMENT SCREW	23.50
744 185	PLATE COVER JORDAN	67.90
744 191	SENSITIVE TUBE FOR SS ACCRITEM	1,250.00
744 202	BODY	292.30
744 205	COVER MOLDING	57.60
744 212	FOLLOWERS, POWER ELEMENT	15.50
744 213	VALVE SEAT	54.90
744 214	VALVE	69.60
744 215	SCREW, SPRING RETAINING	57.60
744 216	STEM, ADJUSTING	29.60
744 218	RESTRICTION SCREW	14.10
744 223	NAME PLATE	94.10
744 234	ADJ KNOB W/SCREW	47.40
744 254	ST BULB & CAP 7441272	1,425.00
744 283	SENSING ELEMENT, COPPER	283.70
744263A	PICK NAME PLATE	59.60
744263B	NAME PLATE, CELSIUS	57.60
800 005	BONNET	18.30

A WATTS Brand

Part No.	Description	List Price
800 012	STEM ASSEMBLY, THROTTLING	15.00
800 020	GASKET	9.80
800 024	LIMIT STOP ASSEMBLY	48.50
800 030	SOFT COMPONENTS KIT	54.40
800 036	LEVER HANDLE KIT (1 SET)	71.90
800 040	FACEPLATE KIT, ROUND	179.80
800 050	WASHER	9.80
800 056	TEFLON GASKET	9.80
800 060	PLUNGER	9.80
800 061	PLUNGER DISC	9.80
800 063	O-RING	9.80
800 064	O-RING	9.80
800 075	COLOR INSERT FOR 800 ENGLISH	38.80
800 098	BILTMORE MODEL 1 & 2 REPAIR KIT W/LEVER	325.90
800 099	BILTMORE MODEL 1 & 2 REPAIR KIT W/KNOB	328.30
800 109	STEM EXT KIT FOR 800	118.80
800 110	STEM EXT.	40.10
800 162	SCREW WITH PATCH	9.80
800 163	VALVE REPAIR KIT, SERIES 800	199.00
800 164	SCREW 8-32 X 5/8" LG	9.80
800 167	SCREW W/PATCH	9.80
800 168	SCREW 8-32 W/PATCH	9.80
800 183	ROUND DIAL FOR 800 BILTMORE	175.60
800 185	REPLACEMENT KIT (BILTMORE)	43.00
800 200	KIT, 800 ACRYLIC HANDLE	129.30
800005JP	BONNET, QTY= 100	952.80
800020BP	GASKET, QTY= 25	164.30
800032A	BILTMORE 800 STEM/BON REPL KIT	133.10
800050BP	WASHER, QTY= 25	63.00
800058BP	O-RING, QTY= 25	39.40
800060BP	PLUNGER, QTY= 25	165.40
800063BP	O-RING, QTY= 25	44.80
800064BP	O-RING, QTY= 25	44.80
800164BP	SCREW W/PATCH BULK PACKED, QTY= 25	74.40
800164JP	SCREW, QTY= 500	1,326.00
800310C	INTERNAL BALANCE CHAMBER KIT	160.50
900 012	THROTTLING STEM ASSEMBLY	23.80
900 014	WASHER, MIXING PLATE	9.80
900 015	BONNET	9.90
900 026	SPRING STOP CHECK	9.80
900 028	SOFT COMPONENTS KIT, 900 MDL 3	56.30
900 030	REPAIR KIT SOFT COMPONENTS	56.30
900 031	900 BAL CHAMBER KIT MODEL 2	164.70
900 032	INTERNAL KIT	160.50
900 033	SPRING, STEM	9.80
900 035	KNOB	72.60
900 036	LEVER HANDLE, BILTMORE	86.30
900 040	ROUND FACEPLATE KIT	152.20
900 047	NUT "U" TYPE	9.80
900 049	CHECK STOP REPAIR KIT 900	109.50

Part No.	Description	List Price
900 050	CHECKSTOP KIT, 900 MODEL 3	109.50
900 068	ACRYLIC KNOB KIT, 900 MODEL 3	65.00
900 069	LEVER HANDLE KIT, 900 MODEL 3	86.30
900 070	LEVER HANDLE	73.10
900 075	CARTRIDGE PULLER	9.80
900 085	SHUT OFF DISC	9.80
900 090	TRIM PLATE, BRIGHT CHROME	31.90
900 091	HANDLE, BRIGHT CHROME PLATE	37.80
900 093	GASKET FOR SLEEVE	9.80
900 094	GASKET, TRIM PLATE	9.80
900 095	NAME PLATES, TRIM ENG W/CSA LOG	21.30
900 096	HANDLE BUTTON	9.80
900 102	FACEPLATE KIT, CHROME FINISH	133.10
900 105	HANDLE KIT, CHROME W/O STOP	93.80
900 107	HANDLE KIT WITHOUT STOP	86.30
900 108	KNOB KIT, ACRYLIC W/O STOP	65.00
900 109	STEM EXTENSION KIT	97.10
900 118	FOR MILWAUKEE FAUCET	32.30
900 120	ROUGH IN GUIDE FOR 900	9.80
900 123	MOUNTING BRACKET	18.40
900 132	SLEEVE FOR 909/910 BILTMORE	30.30
900 140	PLUG BUTTON, SERIES 900	14.10
900 141	PLUG BUTTON, SERIES 410 & 420	9.80
900 197	OUTLET SEALS	9.80
900 216	SPRING, .300 O.D., .375 LG	9.80
900 219	BONNET	9.80
900 231	THROTTLING STEM ASSEMBLY	18.00
900 240	CHAMBER REPAIR KIT, BAL.MDL3	102.10
900 259	BALANCE CHAMBER ASSEMBLY KIT	102.10
900 268	SLEEVE KIT, LARGE	34.40
900 269	BILTMORE SLEEVE KIT FOR MODEL 3	67.50
900014BP	WASHER QTY= 25	74.40
900015A	BONNET ASSEMBLY	67.00
900015B	900 BONNET,MACHINED	27.10
900017A	BONNET NUT	37.80
900019BP	ACRYLIC KNOB, QTY= 15	915.50
900020A	DIAL ROUND W/CSA LOGO	125.00
900026JP	SPRING, QTY= 500	377.80
900031A	BAL CHAMBER REP KIT MODEL 1	203.30
900033BP	SPRING, QTY= 25	155.20
900059JP	STEM, QTY= 250	929.50
900085BP	SHUT OFF DISC QTY= 25	103.90
900085JP	SHUTOFF DISC, QTY= 500	1,708.00
900093BP	GASKET, QTY= 25	168.40
900094BP	GASKET, QTY= 25	168.40
900095BP	NAME PLATE, QTY= 25	436.10
900096BP	HANDLE BUTTON BP. QTY= 25	74.40
900140JP	BUTTON & INSERT, QTY= 250	1,218.00
975170A	1/2" VOLUME VALVE CONCEALED	585.80

A WATTS Brand

IntelliStation™ Replacement Parts

Part No.	Description	List Price
88006470	CONTROLLER	1,201.00
6551624	CONTROLLER, UPGRADE KIT IOT (IS JR)	1,739.00
81019061	TEMPERATURE SENSOR W/WIRE	44.10
6551690	3/4 INCH 3-WAY VALVE AND ACTUATOR KIT (IS JR)	4,383.00
6551691	1 INCH 3-WAY VALVE AND ACTUATOR KIT (IS JR)	5,024.00
6551692	1 1/2 INCH 3-WAY VALVE AND ACTUATOR KIT (IS JR)	6,303.00
6551693	2 INCH 3-WAY VALVE AND ACTUATOR KIT (IS JR)	7,765.00
81019287	ACTUATOR	1,978.00
81020529	ACTUATOR W/ EXTENDED CABLE	1,978.00
6551290	ACTUATOR (IS JR)	1,978.00
81019288*	150PSI PRESSURE SENSOR WITH WIRE (P)	CF**
88005572	200PSI PRESSURE SENSOR WITH WIRE (P)	427.20
81019289	HIGH-SPEED TEMPERATURE SENSOR W/WIRE	108.10
6551291	TEMPERATURE SENSOR W/WIRE (IS JR)	94.40

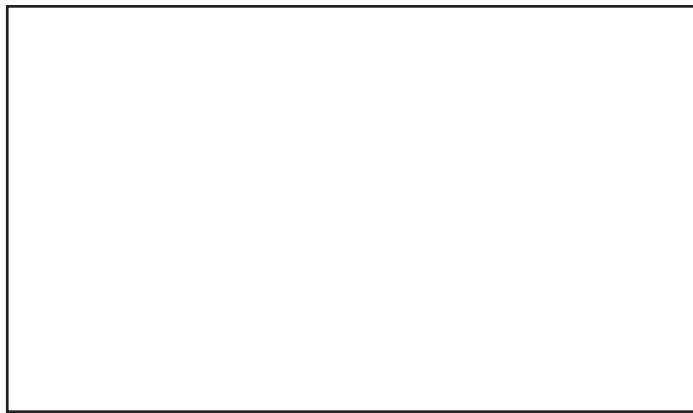
***Note: ONLY for models built prior to May 25, 2017**

Notes

Notes

To locate your nearest Powers representative, please click on our *FIND A REP* locator on PowersControls.com

Represented by:



POWERS™

A WATTS Brand

USA: T: (888) 432-8932 • PowersControls.com
Canada: T: (888) 208-8927 • PowersControls.ca
Latin America: T: (52) 55-4122-0138 • PowersControls.com