

Job Name \_\_\_\_\_

Contractor \_\_\_\_\_

Job Location \_\_\_\_\_

Approval \_\_\_\_\_

Engineer \_\_\_\_\_

Contractor's P.O. No. \_\_\_\_\_

Approval \_\_\_\_\_

Representative \_\_\_\_\_

# Showerhead

## Part No. 141-903A, 141-903B

### Specifications

Description ..... Ball Joint Showerhead with  
Wall Bracket and Anchor Plate,  
Adjustable Spray

Material ..... Brass

Finish ..... Polished Chrome

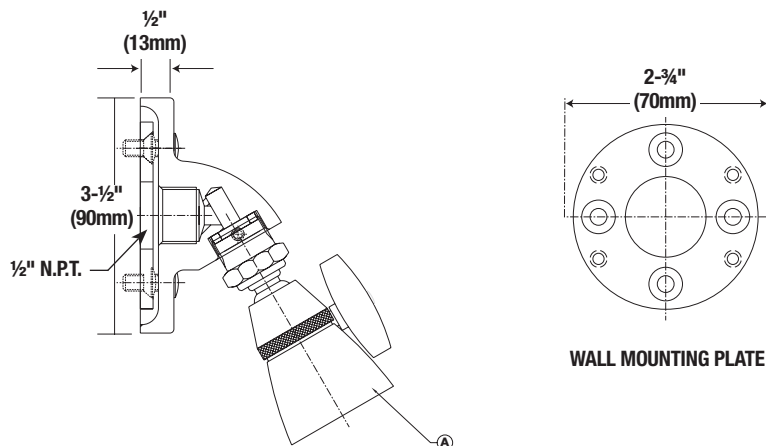
Agency/Spec Approval ..... ANSI A112.18.1M  
CSA B125

Maximum Flow ..... 2.5 gpm @ 80 psi (9.5 l/min @550 kPa)

Shipping Weight ..... 141-903A — 3.0 lb (1.4 kg)  
141-903B — 3.2 lb (1.5 kg)



### Dimensions



### Indicate Desired Fitting

3	Part Number	A	Diameter
<input type="checkbox"/>	141-903A	141-378	1-3/4"
<input type="checkbox"/>	141-903B	141-379	2-1/4"

Powers product specifications in U.S. customary units and metric are approximate and are provided for reference only. For precise measurements, please contact Powers Technical Service. Powers reserves the right to change or modify product design, construction, specifications, or materials without prior notice and without incurring any obligation to make such changes and modifications on Powers products previously or subsequently sold.

**USA:** Tel: (800) 669-5430 • Fax: (847) 229-0526 • PowersControls.com  
**Canada:** Tel: (905) 332-4090 • Fax: (905) 332-7068 • PowersControls.ca  
**Latin America:** Tel: (52) 81-1001-8600 • PowersControls.com

**POWERS™**  
**A WATTS Brand**