

# HydroGuard® Series 410

## Pressure Balancing Valves

Maximum  
Safety

...for the bather



*The most reliable method of pressure balancing control is the diaphragm and poppet mixing valve, proven by Powers' customers for decades. This design uses a balancing diaphragm and poppet type discs and seats with wide clearances to provide maximum protection against lime and dirt conditions. Should cold water pressure suddenly drop due to demand elsewhere on the supply line (such as flushing toilets), the sensitive diaphragm immediately responds to this change and keeps the ratio of cold water constant. This design offers operating advantages over piston and cylinder valves where close tolerances between the metal piston and cylinder can quickly jam with dirt or lime build-up, reducing safety and sensitivity of the valve.*

### Description

Concealed pressure balancing water mixing valve for use on shower installations. Uses diaphragm type chamber to prevent lime build-up. Adjustable limit stop reduces possible over-adjustment of handle. Heavy cast bronze body, chrome plated die cast face plate, and corrosion resistant material throughout ensure years of trouble-free service. Available in three or four ports configurations.

### Specifications

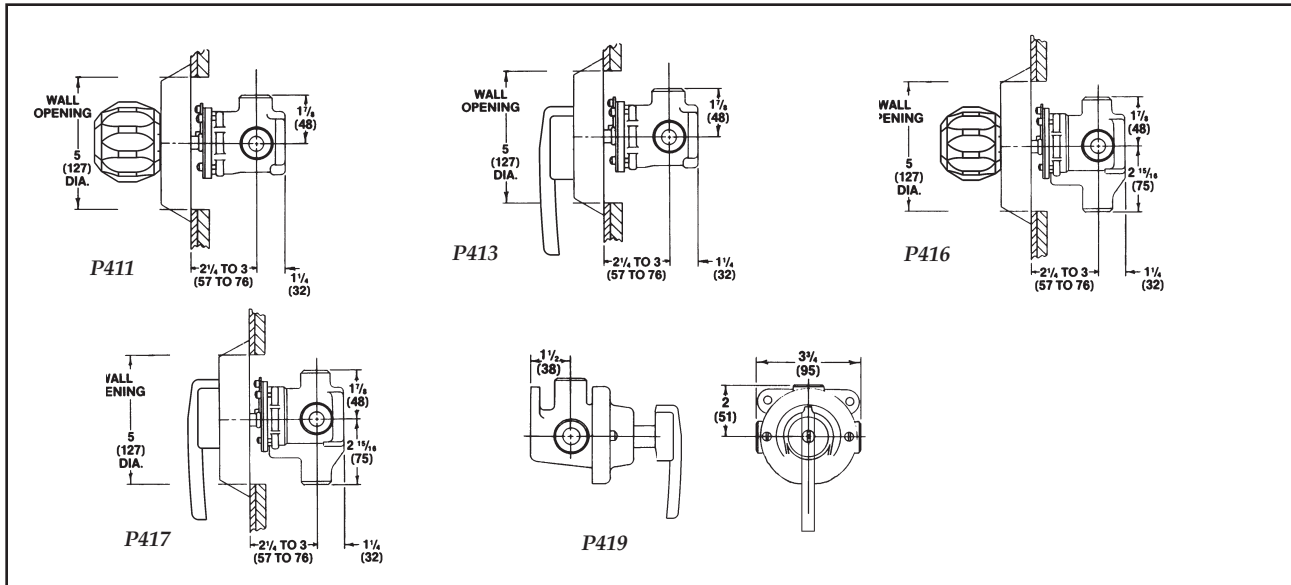
- Connections ..... 1/2" NPT Inlets and Outlets
- Capacity ..... 6 gpm (0.38 l/s)
- Maximum Operating Pressure: ..... 125 psig [862 kPa]
- Adjustable Limit Stop: ..... Standard
- Wall Seal Gasket: ..... Supplied with valve
- Dial Plate: ..... Color indicating scale
- Compliance ..... CSA, ASSE 1016

**POWERS™**

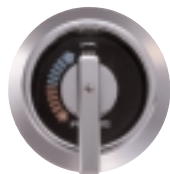
a division of Watts Water Technologies, Inc.

# HydroGuard® Series 410

## Pressure Balancing Valves



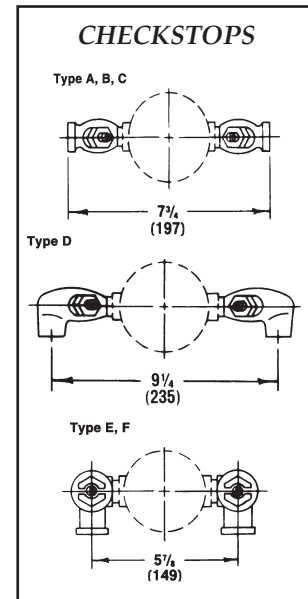
Model 411, 416






Model 413, 417



Model 419



Code	Description	Ports
<b>P411</b>	Concealed Valve, Lucite Knob Handle	3
<b>P416</b>	Concealed Valve, Lucite Knob Handle	4
<b>P413</b> 	Concealed Valve, Metal Lever Handle	3
<b>P417</b> 	Concealed Valve, Metal Lever Handle	4
<b>P419</b> 	Exposed Valve, Metal Lever Handle	3