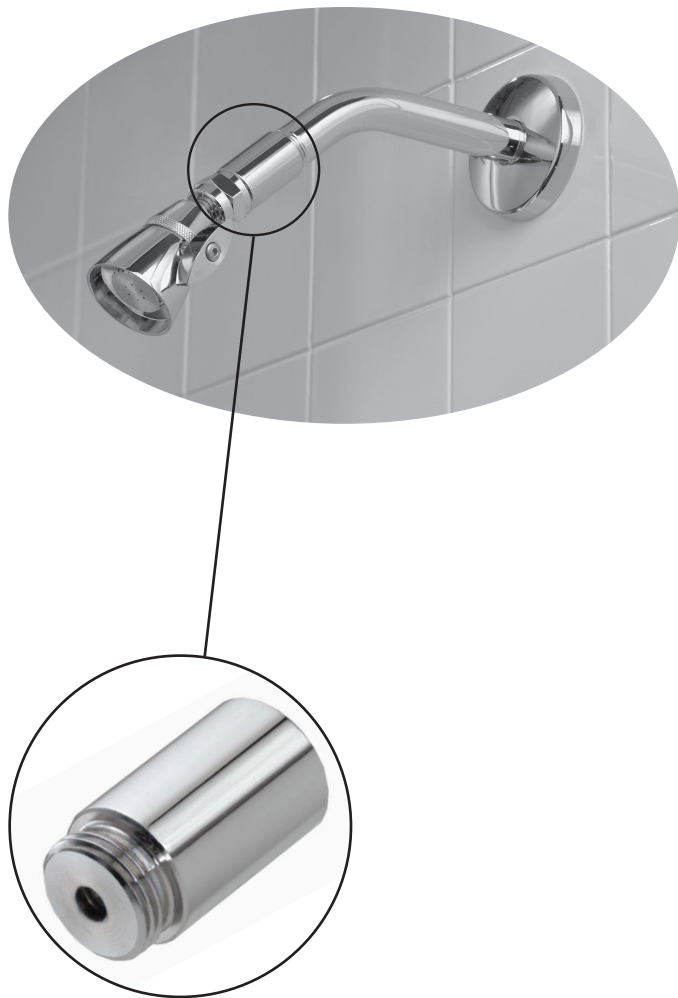
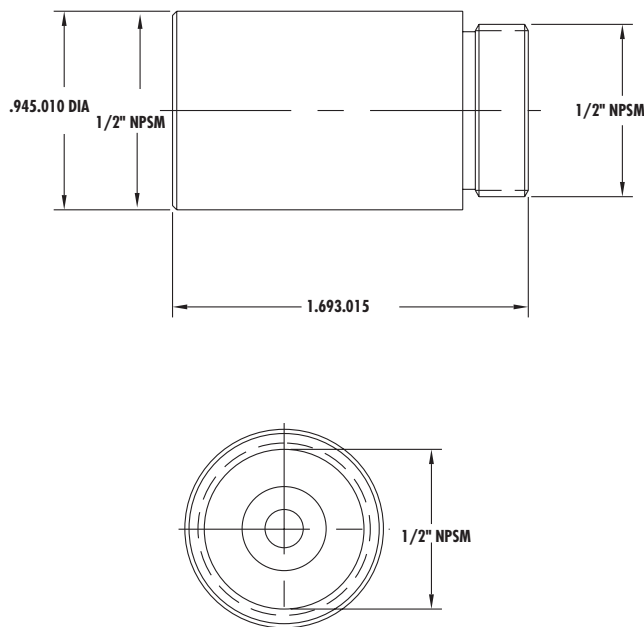


Product Specification

Specifications ■

DescriptionShower high temperature shutoff device
 Finish..... Polished Chrome
 Housing Material..... Brass
 Agency/Spec Compliance..... ASSE 1062, CSA
 Maximum Flow..... 4.0 gpm (15.2 l/min)
 Temperature Activation..... 115°F (46°C) ± 3°F (1.6°C)
 Shipping Weight.....0.25 lb. (0.11 kg)

Dimensions ■



CALIFORNIA PROPOSITION 65 WARNING
WARNING: This product contains chemicals known to the State of California to cause cancer and birth defects or other reproductive harm. (California law requires this warning to be given to customers in the State of California.)
 For more information: www.watts.com/prop65