

# POWERS

A WATTS INDUSTRIES CO.

## TECHNICAL INSTRUCTIONS

### HYDROPANEL™ II CORNER MOUNT SHOWER SYSTEM

#### INSTRUCTIONS

#### A. HYDROPANEL CORNER-MOUNT INSTALLATION w/o EXTENSION AND/OR OVERLAYS.

1. Mount Corner-mounting brackets to wall. To find proper distance, measure distance "X" between holes on upper and lower (B and C, *See Figures 1 & 2*) fittings of outlet pipe (for 900 valve, lower fitting is sweated on tub-side of the body).
- 1a. Corner mounting bracket anchors provided by others.
2. Mount piping assembly to corner brackets, using larger screws and nut for top portion, and smaller screws and nuts for bottom. (For 900 valve, use only large screws and nuts).
3. Replace straight end caps with corner end caps and mount to shrouding (do this **before** mounting shrouding to piping).
4. Attach shrouding to piping with screw at A & D (*See Figure 1*).
5. Follow installation instructions in TI450-900 V1 beginning with **TEST THE SYSTEM**.

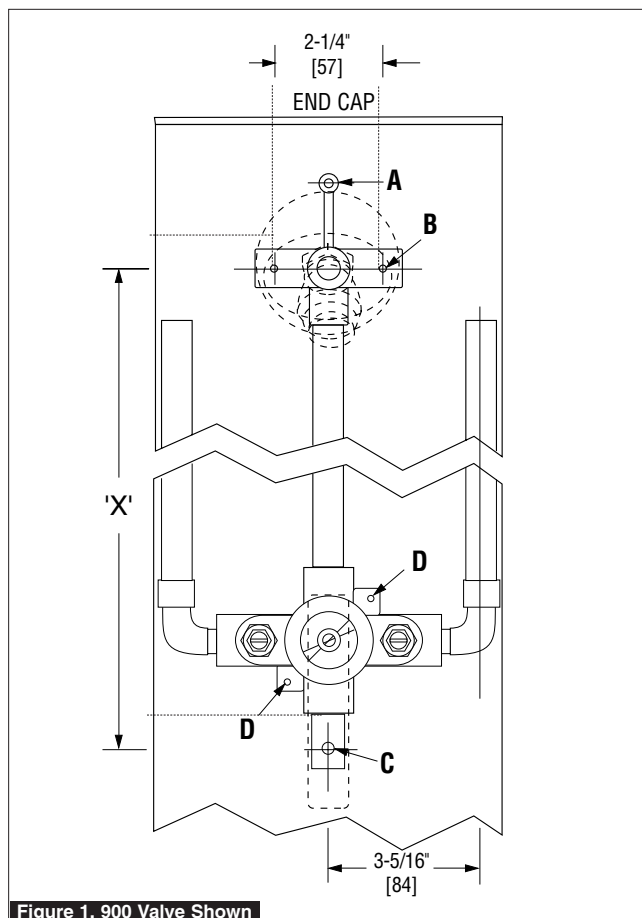


Figure 1. 900 Valve Shown

#### B. HYDROPANEL CORNER-MOUNT INSTALLATION w/EXTENSIONS AND/OR OVERLAYS.

1. Follow steps 1 & 2 as outlined in "A".
2. Mount corner-mounting brackets to wall. Use one bracket for the Hydropanel extension, and the second bracket if an overlay is needed. Measure the slot distances to determine placement. **DO NOT** remove the standard endcap. The endcap will act as the gasket between the overlay and the shrouding.
3. Assemble U-brackets to corner bracket, using small screws and nuts (*See Figure 3*).
4. Attach extension and/or overlay to bracket assembly.
5. Hydropanels w/extensions require 1 Kit each.

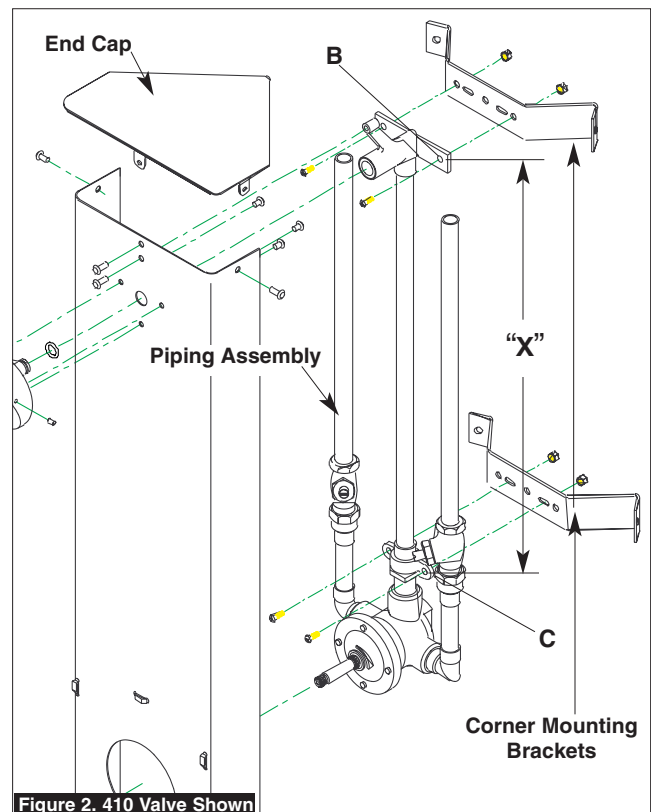


Figure 2. 410 Valve Shown

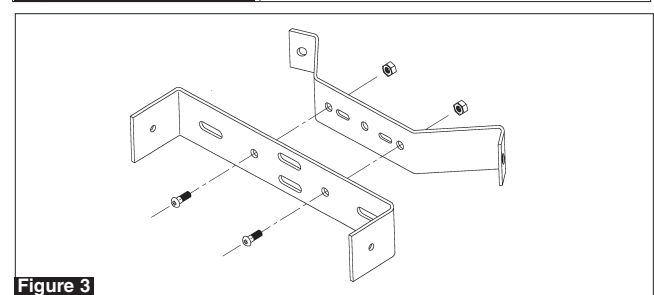


Figure 3

**CALIFORNIA PROPOSITION 65 WARNING**

**WARNING:** This product contains chemicals known to the State of California to cause cancer and birth defects or other reproductive harm. (Installer: California law requires that this warning be given to the consumer.)

**For more information:** [www.wattsind.com/prop65](http://www.wattsind.com/prop65)

**POWERS**  
A WATTS INDUSTRIES CO.

© Reprinted March 2002 *Powers, a Watts Industries Co.*  
3400 Oakton Street, Skokie, IL 60076 Phone: 800.669.5430 • 847.673.6700 • Fax: 847.673.9044  
[www.powerscontrols.com](http://www.powerscontrols.com)  
5435 North Service Road, Burlington, Ontario, L7L 5H7 Canada • Phone: 888.208.8927 • Fax: 888.882.1979