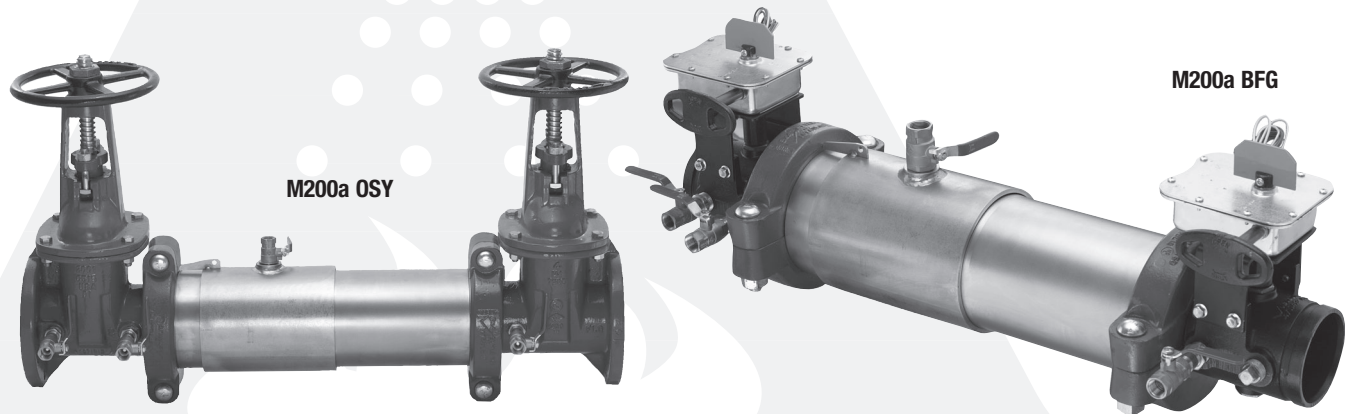




# Maxim™ Series M200a, M200Na

## Double Check Valve Assemblies

Sizes: 2½" – 4" (65 – 100mm)



M200a BFG

M200a OSY

### Features

- Extremely Compact Design
- 70% Lighter than Traditional Designs
- 304 (Schedule 40) Stainless Steel Housing & Sleeve
- Groove Fittings Allow Integral Pipeline Adjustment
- Patented Bi-Link Check Provides Lowest Pressure Loss
- Unmatched Ease of Serviceability
- Available with Grooved Butterfly Valve Shutoffs
- Available for Horizontal, Vertical or N Pattern Installations
- Replaceable Check Disc Rubber

The Maxim M200a, M200Na Double Check Valve Assemblies are used to prevent backflow of pollutants, that are objectionable but not toxic, from entering the potable water supply system. The Maxim M200a, M200Na may be installed under continuous pressure service and may be subjected to backpressure. The Maxim M200a, M200Na consists of two independently operating check valves, two shutoff valves, and four test cocks. For use in non-health hazard applications.

### Specifications

The Double Check Valve Assemblies shall consist of two independent Bi-Link Check modules within a single housing, sleeve access port, four test cocks and two drip tight shutoff valves. Bi-Link Checks shall be removable and serviceable, without the use of special tools. The housing shall be constructed of 304 (Schedule 40) stainless steel pipe with groove end connections. Bi-Link checks shall have reversible elastomer discs and in operation shall produce drip tight closure against the reverse flow of liquid caused by backpressure or backsiphonage. Assembly shall be a Maxim M200a, M200Na as manufactured by the Ames Company.

Job Name \_\_\_\_\_ Contractor \_\_\_\_\_  
 Job Location \_\_\_\_\_ Approval \_\_\_\_\_  
 Engineer \_\_\_\_\_ Contractor's P.O. No. \_\_\_\_\_  
 Approval \_\_\_\_\_ Representative \_\_\_\_\_

*Ames product specifications in U.S. customary units and metric are approximate and are provided for reference only. For precise measurements, please contact Ames Technical Service. Ames reserves the right to change or modify product design, construction, specifications, or materials without prior notice and without incurring any obligation to make such changes and modifications on Ames products previously or subsequently sold.*

## Configurations

- Horizontal
- Vertical up
- “N” pattern horizontal

## Materials

- Housing & Sleeve: 304 (Schedule 40) Stainless Steel
- Elastomers: EPDM and Buna ‘N’
- Bi-Link Checks: Noryl®, Stainless Steel
- Check Discs: Reversible EPDM
- Test Cocks: Bronze Body Nickel Plated
- Pins & Fasteners: 300 Series Stainless Steel
- Springs: Stainless Steel

## Available Models

OSY - UL/FM outside stem and yoke resilient seated gate valves

BFG - UL/FM grooved gear operated butterfly valves w/tamper switch

NRS - non-rising stem resilient seated gate valves

\*OSY FxG - Flanged inlet gate connection and grooved outlet gate connection

\*OSY GxF - Grooved inlet gate connection and flanged outlet gate connection

\*OSY GxG - Grooved inlet gate connection and grooved outlet gate connection

Available with grooved NRS gate valves - consult factory\*

Post indicator plate and operating nut available - consult factory\*

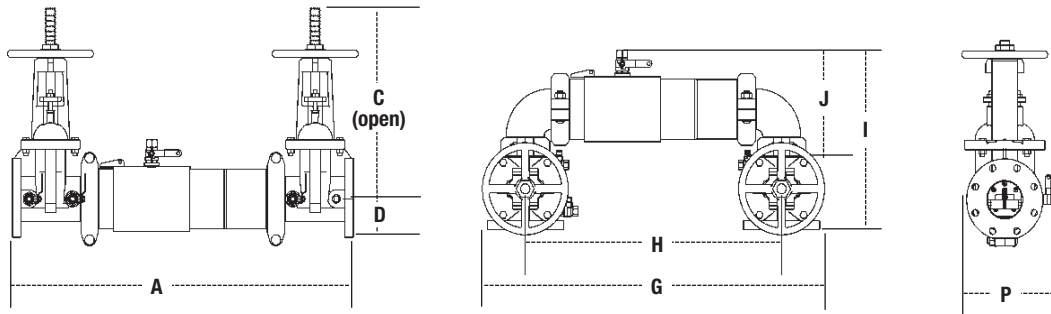
\*Consult factory for dimensions

## Pressure — Temperature

Temperature Range: 33°F – 110°F (5°C – 43°C)

Maximum Working Pressure: 175psi (12.06 bar)

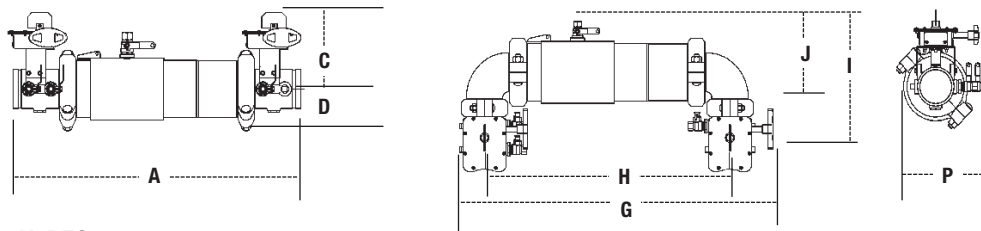
## Dimensions — Weights



### M200a, M200Na

SIZE (DN)		DIMENSIONS								WEIGHT																	
		A		C (OSY)		C (NRS)		D		G		H		I		J		P		M200a		M200Na					
in	mm	in	mm	in	mm	in	mm	in	mm	in	mm	in	mm	in	mm	in	mm	in	mm	lbs.	kgs.	lbs.	kgs.	lbs.	kgs.	lbs.	kgs.
2½	65	—	—	—	—	—	—	—	—	29½	738	22¾	578	15½	402	8½	223	9½	234	—	—	—	—	133	60	122	55
3	80	—	—	—	—	—	—	—	—	30½	775	22¾	578	17½	435	9	233	10½	267	—	—	—	—	158	72	144	65
4	100	40½	1029	22¾	578	12¾	310	5	127	39¾	1010	30¾	781	20¾	518	11½	297	11¾	284	219	99	219	99	242	110	242	110

Note: For 2½" – 3" horizontal/vertical installation, send for literature ES-A-M200/M200N.



### M200aBFG, M200NaBFG

SIZE (DN)		DIMENSIONS								WEIGHT													
		A		C		D		G		H		I		J		P		M200aBFG		M200NaBFG			
in	mm	in	mm	in	mm	in	mm	in	mm	in	mm	in	mm	in	mm	in	mm	lbs.	kgs.	lbs.	kgs.		
2½	65	—	—	—	—	—	—	29⅞	759	22⅞	562	14½	379	8½	223	9	229	—	—	—	—	64	29
3	80	—	—	—	—	—	—	30¾	781	22¾	578	15⅞	392	9	233	9½	241	—	—	—	—	67	30
4	100	36	914	8½	221	4½	122	39	991	30¾	781	18	457	11½	297	11	279	119	54	142	64		

Note: For 2½" – 3" horizontal/vertical installation, send for literature ES-A-M200/M200N.

Noryl® is a registered trademark of General Electric Company

# Approvals



1015



28S6



B64.5



Approved

For additional approval information please contact the factory or visit our website at [www.amesfirewater.com](http://www.amesfirewater.com)

## Capacity

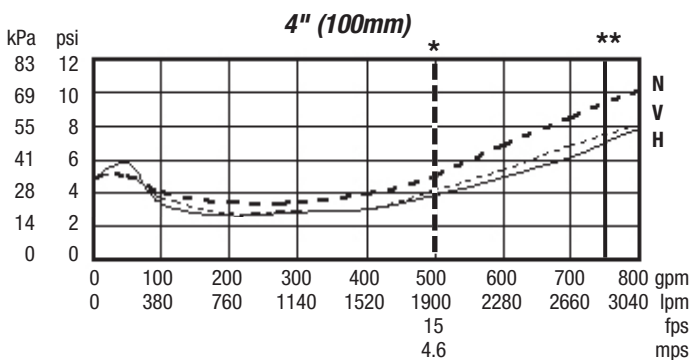
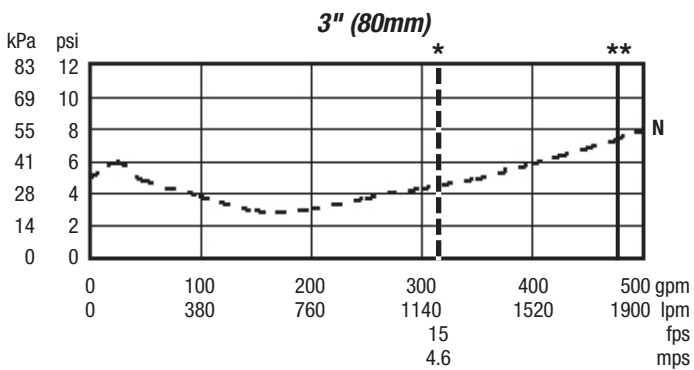
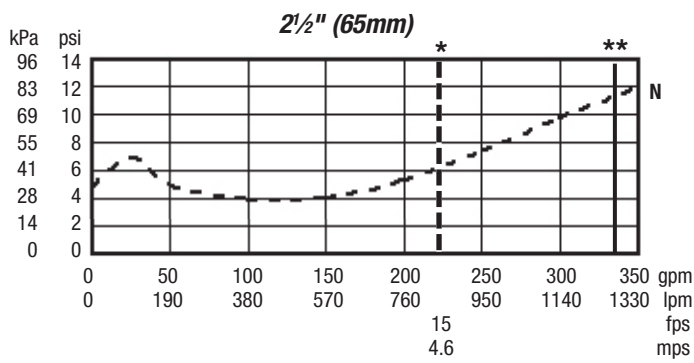
### UL/FM Certified Flow Characteristics

Flow characteristics collected using butterfly shutoff valves.

See literature S-MAXIM-200, 300 for gate valve flow characteristics

\* = Rated flow \*\* = UL Tested

— Horizontal — Vertical - - - - - N-Pattern



**IMPORTANT: INQUIRE WITH GOVERNING AUTHORITIES FOR LOCAL INSTALLATION REQUIREMENTS**

For additional information, visit our web site at: [www.amesfirewater.com](http://www.amesfirewater.com)



*A Division of Watts Regulator Company*

[www.amesfirewater.com](http://www.amesfirewater.com)

