

Job Name \_\_\_\_\_  
 Job Location \_\_\_\_\_  
 Engineer \_\_\_\_\_  
 Approval \_\_\_\_\_

Contractor \_\_\_\_\_  
 Approval \_\_\_\_\_  
 Contractor's P.O. No. \_\_\_\_\_  
 Representative \_\_\_\_\_

# Shutoff Valve Options

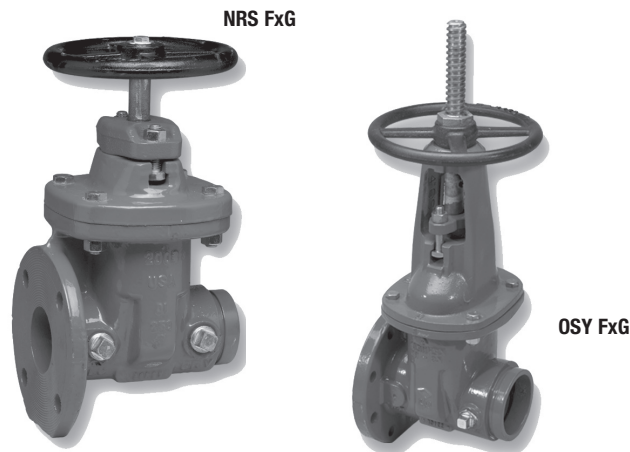
Series Colt and Maxim are Backflow Preventer Shutoff Valves designed for all installation requirements. Typically, most backflow prevention manufacturers provide limited shutoff preventer valve options. Ames Fire & Waterworks was first to offer a wide variety of shutoff valves to meet installation requirements. From grooved butterfly valves to valves equipped with 2" operating nut and post indicator plate, the Ames Fire & Waterworks series offer the greatest flexibility of design.

Inlet gate valves for inlet include NRS FxG and OSY FxG. Outlet gate valves include NRS GxF, OSY GxF, and PIV GxF. Gate valves that can be used for both inlet and outlet include BFG Shutoff and OSY GXG.

**NOTICE**

The information contained herein is not intended to replace the full product installation and safety information available or the experience of a trained product installer. You are required to thoroughly read all installation instructions and product safety information before beginning the installation of this product.

## Inlet Options



## Outlet Options



## Inlet & Outlet Options



Ames Fire & Waterworks product specifications in U.S. customary units and metric are approximate and are provided for reference only. For precise measurements, please contact Ames Fire & Waterworks Technical Service. Ames Fire & Waterworks reserves the right to change or modify product design, construction, specifications, or materials without prior notice and without incurring any obligation to make such changes and modifications on Ames Fire & Waterworks products previously or subsequently sold.

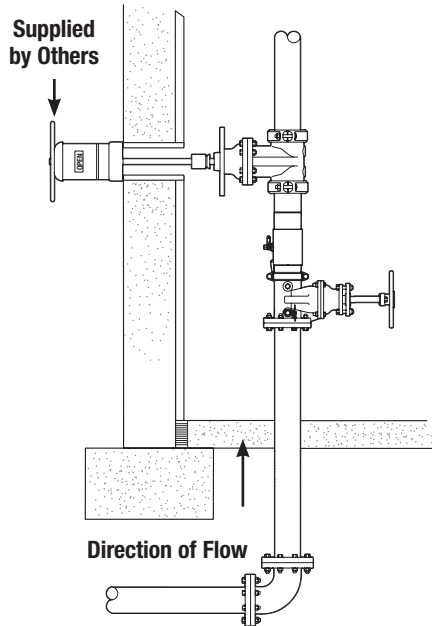


## Installation Considerations

The installation should be installed with adequate clearance around the valve to allow for inspection, testing, and servicing. A 12" minimum clearance is required between the lower portion of the assembly and the floor or grade. The valve should be protected from freezing. Normal discharge and nuisance spitting are accommodated by the use of an Ames air gap fitting and a fabricated indirect waste line. Floor drains of the same size must be provided in case of excessive discharge. The PIV gate valve is available in 3" to 10" sizes.

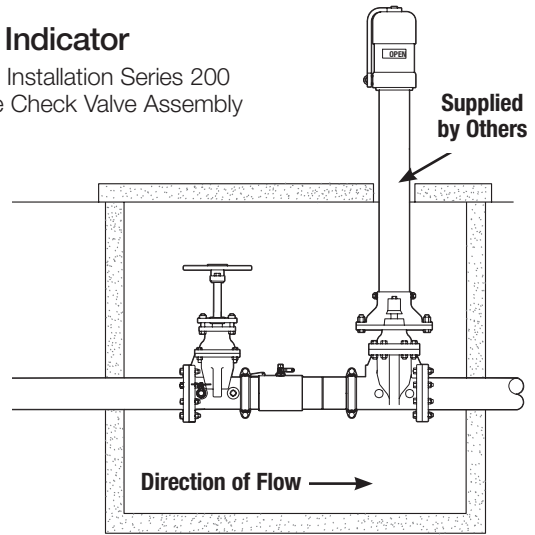
### Wall Post

Typical Installation Series 200  
Double Check Valve Assembly



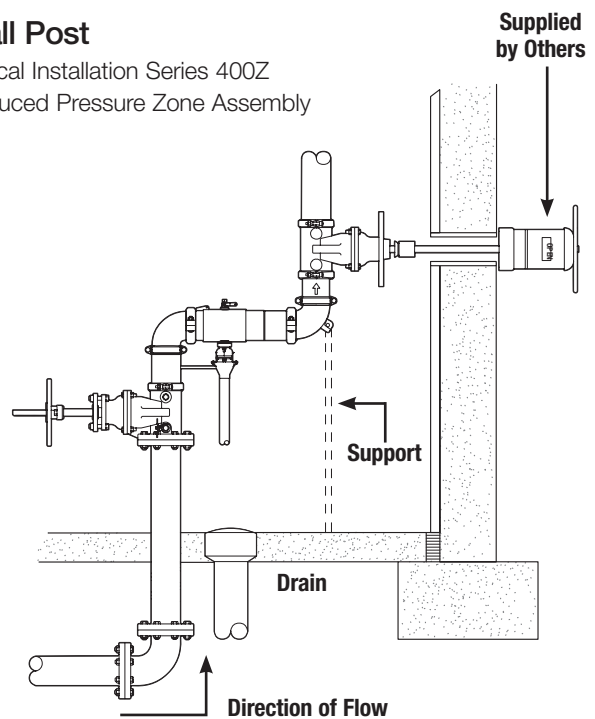
### Post Indicator

Typical Installation Series 200  
Double Check Valve Assembly



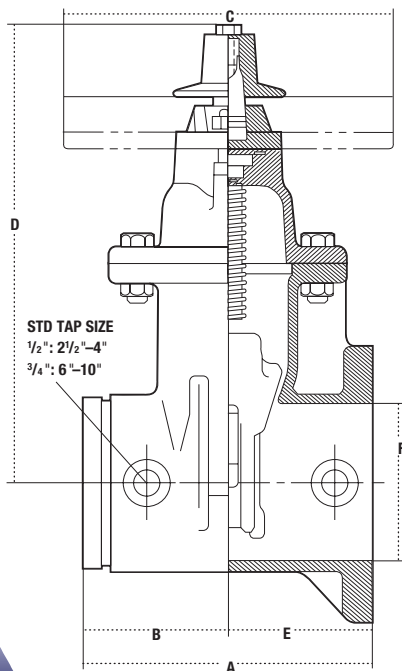
### Wall Post

Typical Installation Series 400Z  
Reduced Pressure Zone Assembly



### Dimensions

3"-10" Groove x Flange



A WATTS Brand

SIZE (DN)	DIMENSIONS					
	A	B	C	D	E	F
3 80	8 203	4 101	12 254	12 <sup>3</sup> / <sub>8</sub> 314	4 101	3 76
4 100	9 229	4 <sup>1</sup> / <sub>2</sub> 114	12 254	14 <sup>3</sup> / <sub>4</sub> 375	4 <sup>1</sup> / <sub>2</sub> 114	4 <sup>1</sup> / <sub>4</sub> 108
6 150	10 <sup>1</sup> / <sub>2</sub> 267	5 <sup>1</sup> / <sub>4</sub> 133	12 305	19 483	5 <sup>1</sup> / <sub>4</sub> 133	6 <sup>1</sup> / <sub>4</sub> 159
8 200	11 <sup>1</sup> / <sub>2</sub> 292	5 <sup>3</sup> / <sub>4</sub> 146	12 356	22 <sup>1</sup> / <sub>2</sub> 572	5 <sup>3</sup> / <sub>4</sub> 146	8 <sup>1</sup> / <sub>4</sub> 210
10 250	13 330	6 <sup>1</sup> / <sub>2</sub> 165	12 305	26 <sup>1</sup> / <sub>2</sub> 673	6 <sup>3</sup> / <sub>4</sub> 171	10 <sup>1</sup> / <sub>4</sub> 260