

Controls and Accessories

LEAD FREE*

Model SSPV20C

Pressure Relief, Sustaining or Backpressure Pilot

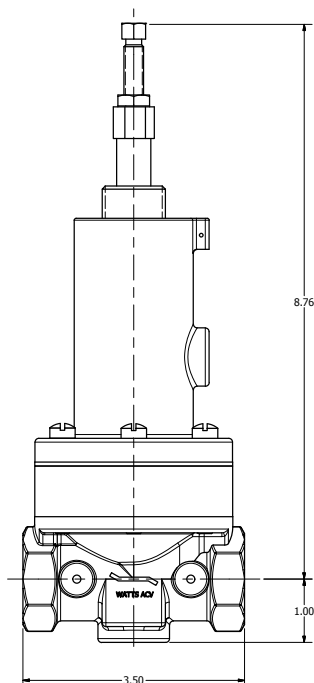
Size: 1/2" NPT

The Model SSPV20C is a remote sensed direct acting, diaphragm actuated Pilot that is used on various configurations of Automatic Control Valves.

It is normally held closed by the force of the adjustable spring setting above the diaphragm. It modulates toward an open position when control pressure, exerting force below the diaphragm, exceeds the spring setpoint, and modulates toward a closed position when the control pressure falls below the spring setpoint. The SSPV20C senses control pressure through a tapped port below the diaphragm. The large diaphragm-to-seat ratio allows it to open and close within close pressure tolerances, accurately positioning the Main Valve.

Turning the adjustment screw clockwise raises the control setpoint. Turning the adjustment screw counterclockwise lowers the control setpoint.

The SSPV20C is equipped with one 1/2" NPT inlet and outlet port and a 1/4" NPT side sensing port located on the power chamber. The 1/4" side sensing port is used to monitor upstream or downstream pressure as required by specific valve function.



SSPV20C

Specifications

Body Material:	CF8M (316) Stainless Steel
Seat:	316 Stainless Steel
Elastomers:	Buna-N (standard) Viton (optional) EPDM (optional)
Inlet Pressure Rating:	400psi (27.6 bar) maximum
Adjustment Range:	20-200psi (1.4 - 13.8 bar) (standard) 0-30psi (0 - 2.1 bar) (optional) 100-300psi (6.9 - 20.7 bar) (optional) 200-450psi (13.8 - 31.0 bar) (optional)

Viton® is a registered trademark of DuPont Dow Elastomers.

***The wetted surface of this product contacted by consumable water contains less than 0.25% of lead by weight.**

NOTICE

The information contained herein is not intended to replace the full product installation and safety information available or the experience of a trained product installer. You are required to thoroughly read all installation instructions and product safety information before beginning the installation of this product.

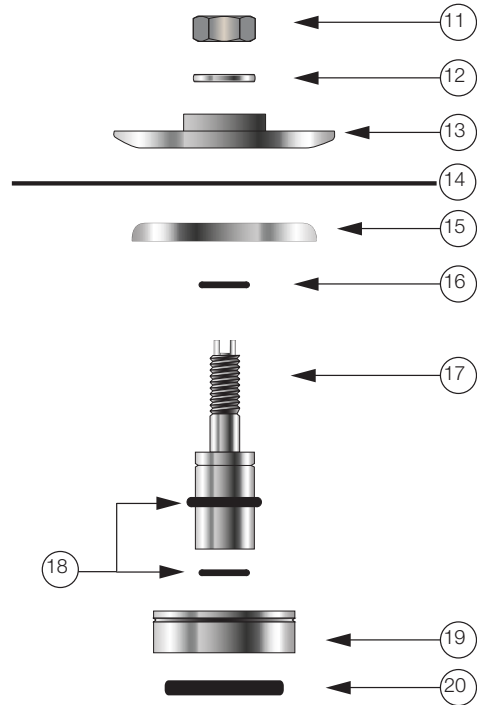
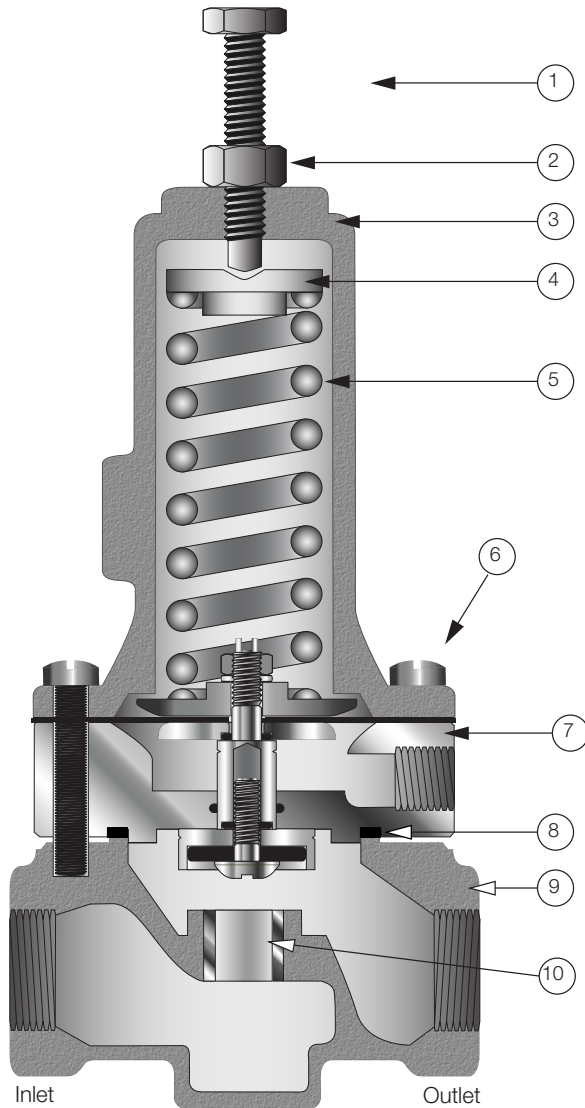
Ames Fire & Waterworks product specifications in U.S. customary units and metric are approximate and are provided for reference only. For precise measurements, please contact Ames Fire & Waterworks Technical Service. Ames Fire & Waterworks reserves the right to change or modify product design, construction, specifications, or materials without prior notice and without incurring any obligation to make such changes and modifications on Ames Fire & Waterworks products previously or subsequently sold.



LEAD FREE*

Model SSPV20C

Pressure Relief, Sustaining or Backpressure Pilot



Item	Description
1	Adjusting Screw
2	Jam Nut
3	Spring Housing
4	Spring Guide
5	Spring
6	Cap Screw
7	Power Chamber
8	O-Ring*
9	Body

Item	Description
10	Seat
11	Nut
12	Lockwasher
13	Diaphragm Washer
14	Diaphragm*
15	Diaphragm Washer
16	O-Ring*
17	Stem
18	Retainer
19	Rubber Disc*
20	Screw

*Included in Repair Kit



A Watts Water Technologies Company

USA: Backflow Tel: (978) 689-6066 • Fax: (978) 975-8350 • AmesFireWater.com

USA: Control Valves Tel: (713) 943-0688 • Fax: (713) 944-9445 • AmesFireWater.com

Canada: Tel: (905) 332-4090 • Fax: (905) 332-7068 • AmesFireWater.com

Latin America: Tel: (52) 81-1001-8600 • Fax: (52) 81-8000-7091 • AmesFireWater.com