

LEAD FREE*

Model CP14SS

Rate-of-Flow Pilot

Size: 3/8" NPT

The Model CP14SS is a direct acting, diaphragm actuated Pilot that senses and responds to changes in a differential pressure signal. The differential pressure signal is usually created by an orifice plate located downstream of the Main Valve. The Pilot has two sensing chambers, one above and one below the diaphragm. The "low" pressure signal is sensed above the diaphragm (inside the sealed spring cage), and the "high" pressure signal is sensed directly below the diaphragm through the outlet port connection.

An increase in flow rate causes the differential pressure across the orifice plate to increase. The Pilot modulates toward a closed position when the differential pressure signal increases above the control setpoint, causing the Main Valve to modulate toward a closed position, decreasing flow rate.

A decrease in flow rate causes the differential pressure across the orifice plate to decrease. The Pilot modulates toward an open position when the differential pressure signal decreases below the control setpoint, causing the Main Valve to modulate toward an open position, increasing flow rate.

Turning the adjustment screw clockwise raises the control setpoint, increasing flow rate. Turning the adjustment screw counterclockwise lowers the control setpoint, decreasing flow rate.

The CP14SS is equipped with one 3/8" NPT inlet and three outlet ports for ease of installation and a 1/8" NPT sensing port. The 1/8" sensing port above the diaphragm is used to monitor the "low pressure" differential signal.



CP14SS

Specifications

Body Material:	CF8M (316) Stainless Steel
Seat:	316 Stainless Steel
Elastomers:	Buna-N (standard) Viton (optional) EPDM (optional)
Inlet Pressure Rating:	400psi (27.6 bar) maximum

Viton® is a registered trademark of DuPont Dow Elastomers.

***The wetted surface of this product contacted by consumable water contains less than 0.25% of lead by weight.**

NOTICE

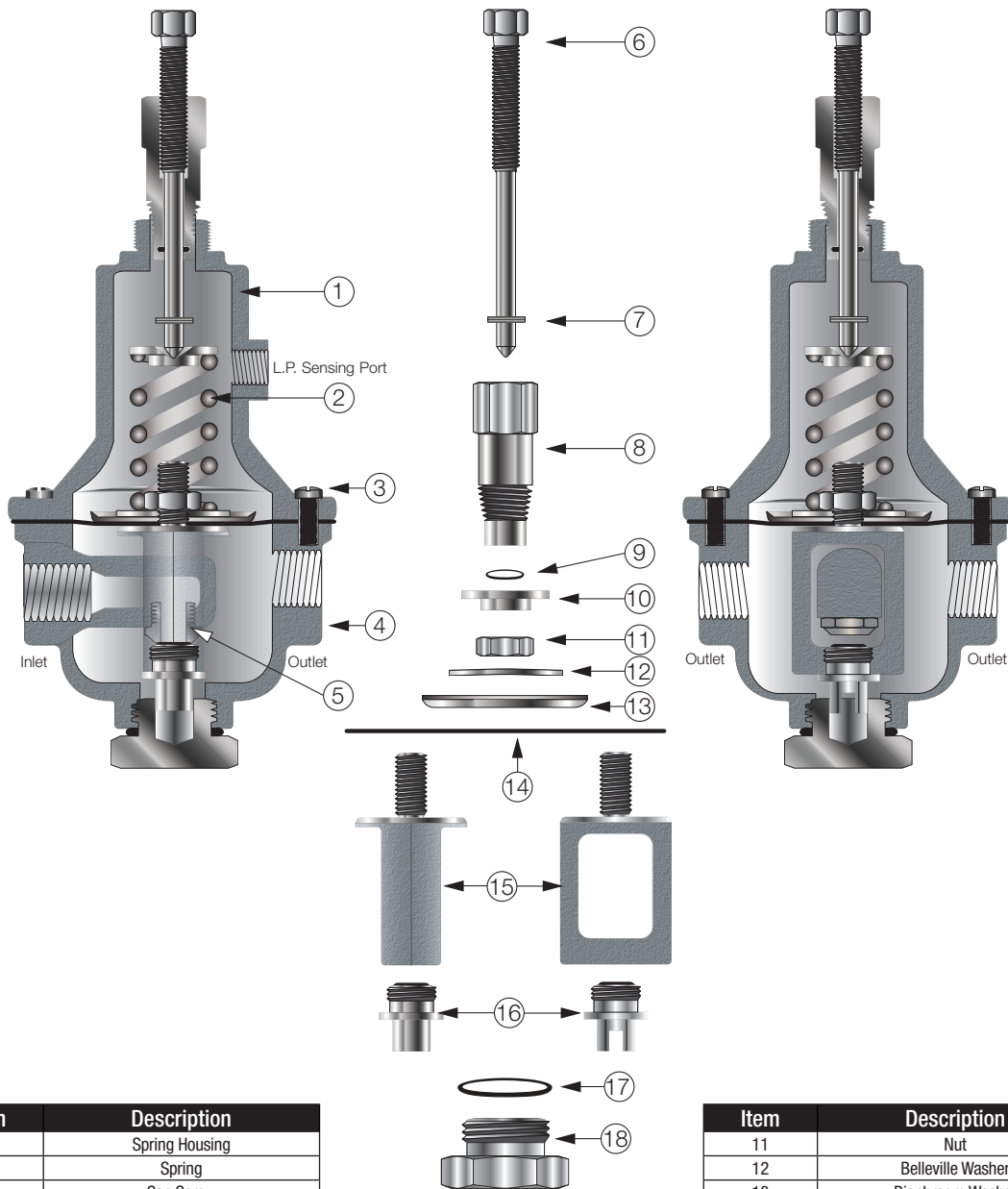
The information contained herein is not intended to replace the full product installation and safety information available or the experience of a trained product installer. You are required to thoroughly read all installation instructions and product safety information before beginning the installation of this product.

Ames Fire & Waterworks product specifications in U.S. customary units and metric are approximate and are provided for reference only. For precise measurements, please contact Ames Fire & Waterworks Technical Service. Ames Fire & Waterworks reserves the right to change or modify product design, construction, specifications, or materials without prior notice and without incurring any obligation to make such changes and modifications on Ames Fire & Waterworks products previously or subsequently sold.



LEAD FREE*

Model CP14SS Rate-of-Flow Pilot



Item	Description
1	Spring Housing
2	Spring
3	Cap Screw
4	Body
5	Seat
6	Adjusting Screw
7	Pin
8	Adapter
9	O-Ring *
10	Spring Guide

Item	Description
11	Nut
12	Belleville Washer
13	Diaphragm Washer
14	Diaphragm *
15	Yoke
16	Disc and Retainer Assembly*
17	O-Ring *
18	Bottom Cap

*Included in Repair Kit



A Watts Water Technologies Company

USA: Backflow Tel: (978) 689-6066 • Fax: (978) 975-8350 • AmesFireWater.com

USA: Control Valves Tel: (713) 943-0688 • Fax: (713) 944-9445 • AmesFireWater.com

Canada: Tel: (905) 332-4090 • Fax: (905) 332-7068 • AmesFireWater.ca

Latin America: Tel: (52) 81-1001-8600 • Fax: (52) 81-8000-7091 • AmesFireWater.com