

For Non-Health Hazard Applications

Job Name _____

Contractor _____

Job Location _____

Approval _____

Engineer _____

Contractor's P.O. No. _____

Approval _____

Representative _____

LEAD FREE*

Series 758A

"Y" Strainers

Size: 2½" - 10" (65mm - 250mm)**

The FEBCO Series 758A "Y" strainers are installed in water piping systems to protect expensive equipment (such as backflow preventers) from damage or failure that can be caused by foreign material in the pipeline.

Features

- Unplugged, NPT blowoff connections are situated on cover
- Recessed screen seats assure accurate screen alignment
- Screens are perforated 304 stainless steel

Pressure – Temperature

Non-Shock, 200psi @ 150° (13.8 bar @ 60°C)

Materials

Body:	Cast Iron, ASTM A126-B
Cap/Cover:	Carbon Steel, ASTM A36
Gasket:	Non-asbestos
Screen:	2½" - 4" (65 - 100mm) (¼" Perf.) 6" - 10" (150 - 250mm) (⅛" Perf.)

Dimensions – Weights

Size: 2½" - 10" (65 - 250mm)

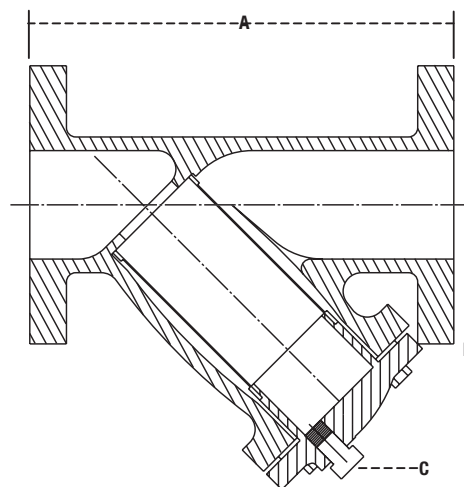
SIZE (DN)		DIMENSIONS				(NPT)		WEIGHT	
		A		B		C			
in.	mm	in.	mm	in.	mm	in.	mm	lbs.	kgs.
2½	65	10	254	6½	165	1	25	28	12
3	80	10⅞	257	7	178	1	25	34	15
4	100	12⅞	308	8¼	210	1½	40	60	27
6	150	18½	470	13½	343	2	50	133	60
8	200	21⅞	549	15½	394	2	50	247	112
10	250	26	660	18½	470	2	50	370	168

NOTICE

Dimensions are nominal. Allowances must be made for normal manufacturing tolerances.



Model 758A



*The wetted surface of this product contacted by consumable water contains less than 0.25% of lead by weight.

**Metric Dimensions are nominal pipe diameter. This product is produced with ASME/ANSI flanged end connections.

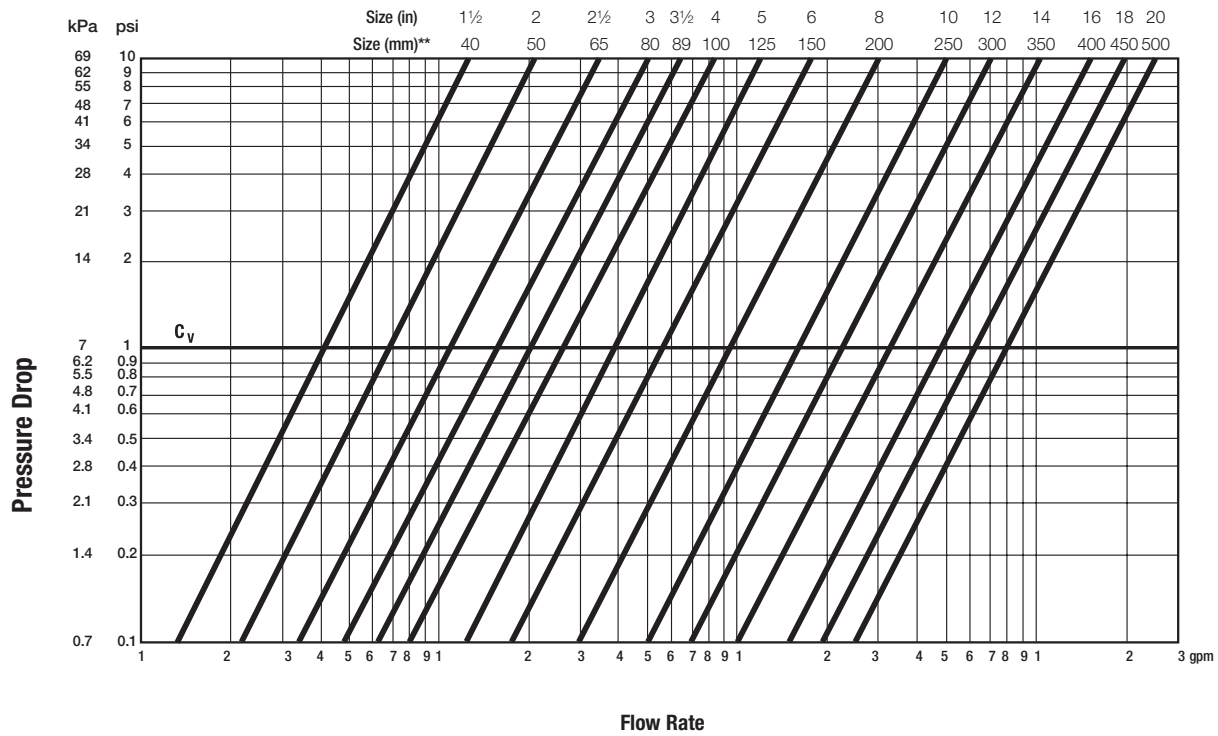
FEBCO product specifications in U.S. customary units and metric are approximate and are provided for reference only. For precise measurements, please contact FEBCO Technical Service. FEBCO reserves the right to change or modify product design, construction, specifications, or materials without prior notice and without incurring any obligation to make such changes and modifications on FEBCO products previously or subsequently sold.



A WATTS Brand

Capacity

Series 758A Screwed End "Y" Type Strainer



Above based on flow of clean water through unplugged screens. Some sizes listed on flow charts are not available from FEBCO.

Flow-coefficient

The flow coefficient (Cv) is the number of gallons per minute of water flowing through a given size restriction at a pressure drop of one psi. To obtain the Cv factor for a given size strainer, read capacity at intersection with the one (1)psi pressure drop.

Conversions: For gpm to lpm, multiply by 3.8.
For psi to bar, multiply by .069

**Metric Dimensions are nominal pipe diameter. This product is produced with ASME/ANSI flanged end connections.



A WATTS Brand

USA: Tel: (800) 767-1234 • Fax: (800) 788-4491 • FEBCOonline.com
 Canada: Tel: (905) 332-4090 • Fax: (905) 332-7068 • FEBCOonline.ca
 Latin America: (52) 81-1001-8600 • Fax: (52) 81-8000-7091 • FEBCOonline.com