

# Submittal

Job \_\_\_\_\_ Designer \_\_\_\_\_ Contact \_\_\_\_\_

## Thermostat 560

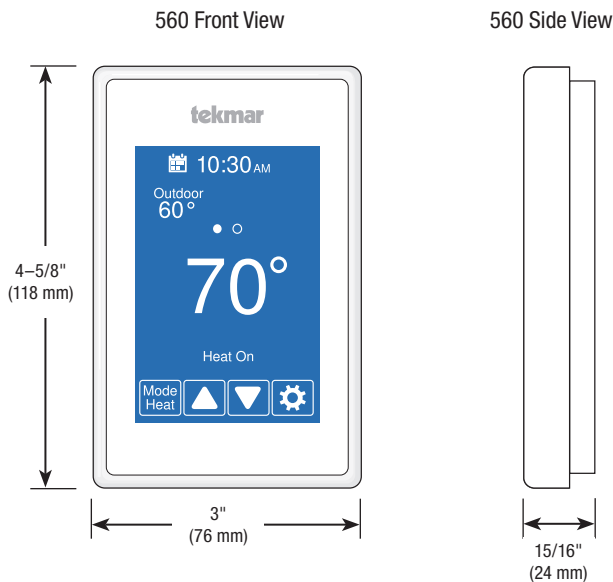
The Thermostat 560 provides precise temperature control of a one-stage heating system. A 7-day, 4-event programmable schedule is available and the early start feature automatically learns to heat up the room by the scheduled time. An Away mode is quickly and easily accessed to provide energy savings when the space is unoccupied. The thermostat supports radiant floor heating and optional floor sensors can be installed to enhance comfort and protect floor coverings.

### Features

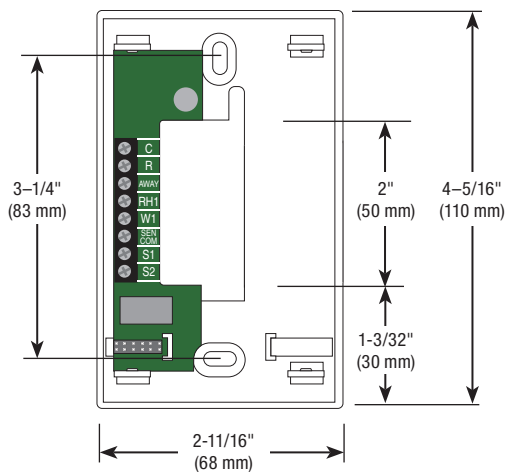
- Optional remote floor & room sensors
- Outdoor temperature
- Error and warning notifications
- 7 day programmable schedule
- Away energy savings mode
- Early start
- Energy monitoring
- English/Français/Español languages
- 3.5" color touchscreen
- Selectable background colors

### Specifications

THERMOSTAT 560 ONE STAGE HEAT	
Literature	ES-T-560, IOM-T-560, 560_J, UserManual-T-560
Control	Microprocessor control. This is not a safety (limit) control
Packaged weight	0.6 lb. (270 g)
Dimensions	4-5/8" H x 3" W x 15/16" D (118 x 76 x 24 mm)
Enclosure	White PVC plastic, NEMA type 1
Approvals	Meets Class B: ICES & FCC Part 15
Ambient conditions	Indoor use only, 32 to 122°F (0 to 50°C), RH ≤90% non-condensing
Power supply	15 to 30 V (ac/dc), 2 VA, Class 2
Relay	30V(ac/dc), 2 A, Class 2 circuits
Sensor	NTC thermistor, 10 kΩ @ 77°F (25°C ±0.2°C) β=3892
-Included	None
-Optional	tekmar type # 070, 072, 073, 076, 077, 079, 084, 087
Warranty	Limited 3 Year (See 560_D for full warranty)



560 Mounting Base



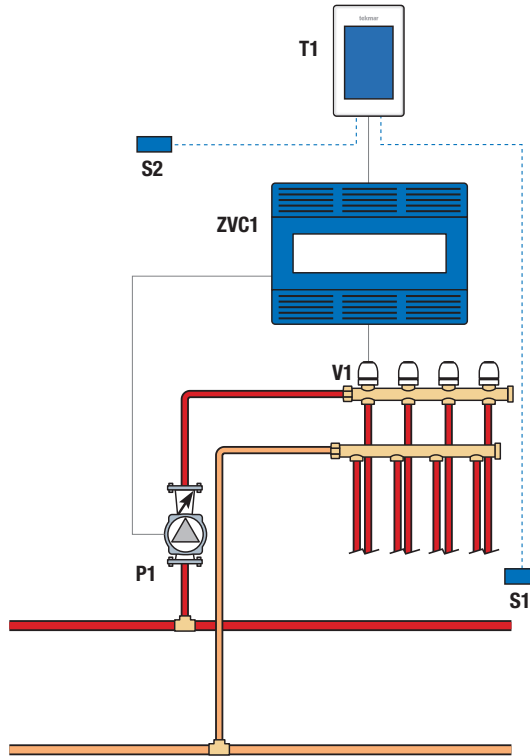
tekmar product specifications in U.S. customary units and metric are approximate and are provided for reference only. For precise measurements, please contact tekmar Technical Service. Watts reserves the right to change or modify product design, construction, specifications, or materials without prior notice and without incurring any obligation to make such changes and modifications on tekmar products previously or subsequently sold.

# Sample Application Drawing

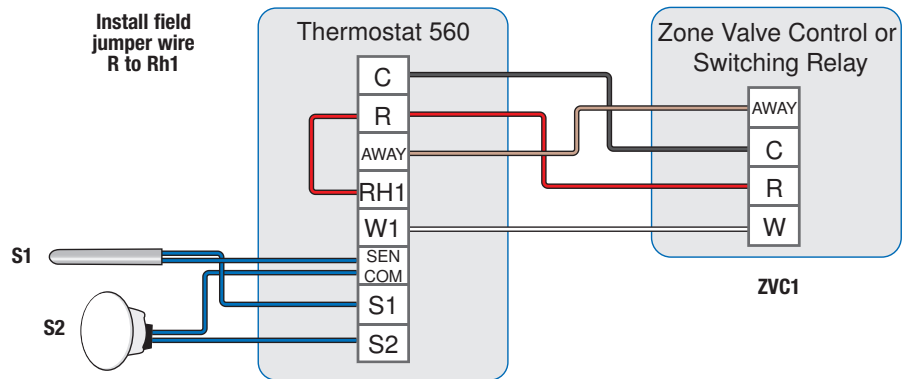
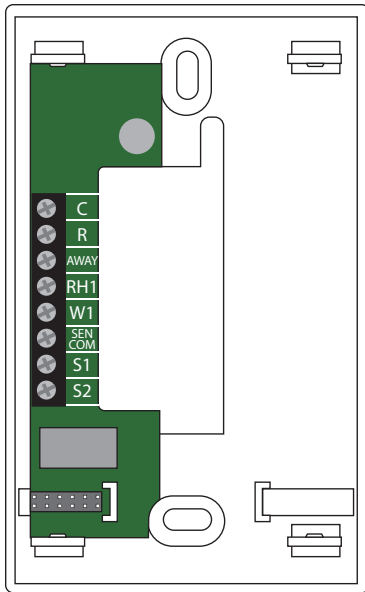
## Sample Mechanical diagram

### Legend

- P1 = Manifold Pump
- T1 = Thermostat 560
- V1 = Zone Valve
- S1 = Optional Floor Sensor 079
- S2 = Optional Indoor Sensor 084
- ZVC1 = Zone Valve Control 303V, 304V, 305V, 306V



## Sample Electrical diagram



### NOTICE

The information contained herein is not intended to replace the full product installation and safety information available or the experience of a trained product installer. You are required to thoroughly read all installation instructions and product safety information before beginning the installation of this product.



A WATTS Brand

Tel: 1-800-438-3903 • F: (250) 984-0815  
watts.com/tekmar