

For Residential and Light Commercial Applications

Job Name _____

Contractor _____

Job Location _____

Approval _____

Engineer _____

Contractor's P.O. No. _____

Approval _____

Representative _____

Series PWSRTA

Twin Alternating Water Softeners

Connection Size: 30K – 60K 1" (25mm)

Flow Rates: Up to 21 gpm (80 lpm)

The Series PWSRTA water softeners are designed for residential and light commercial use applications ranging from 30,000 to 60,000 grains of hardness remove capacity at flow rates up to 21 gallons per minute. These water softeners with control valves that offer twin-alternating meter initiated operation, resulting in 24/7 soft water capability.

Features

- Suitable for residential and light commercial applications
- State-of-the-art computer programming to increase efficiency, save salt and water
- Uses downflow regeneration
- Demand regeneration for highest efficiency
- Engineered and tested to perform, one of the most reliable valve platforms in the industry
- Brine tanks with grid plate for maximum brine storage
- Full flow bypass valve included

PWSRTA Series Control Valve

Manufactured from high-tech materials, the PWSRTA Series valve has been engineered and tested to perform in the most demanding environments. It has built a reputation of being one of the most reliable valve platforms in the industry. All surfaces contacted by water are made from 100 % polymer components so that corrosion from acidic water and brine are no longer a concern.

Electronic Control

The PWSRTA Series valve features an advanced electronic control for easy programming. Adjustable brining, adjustable reserve, high efficiency regeneration and simplified programming are now standard.

Softening Media

The exchange media is a high-capacity cation polystyrene resin that combines high operating capacity with excellent chemical and physical stability for long, dependable life.

Resin Tank

Features a non-corrosive fiberglass tank with thermoplastic inner liner.

PURE WATER



PWSRTA

Brine Tank / Cabinet

The brine tank is a combination brine maker and salt storage vessel and is made of tough, corrosion free high-density polyethylene. Brine refill is controlled by the advanced electronic controller, to provide the correct amount of brine for each regeneration.

⚠ WARNING

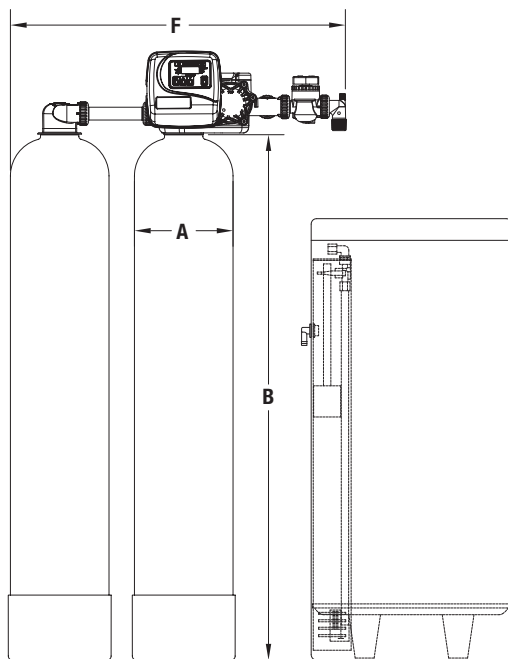
Do not use with water that is microbiologically unsafe or of unknown quality without adequate disinfection before or after the system.

NOTICE

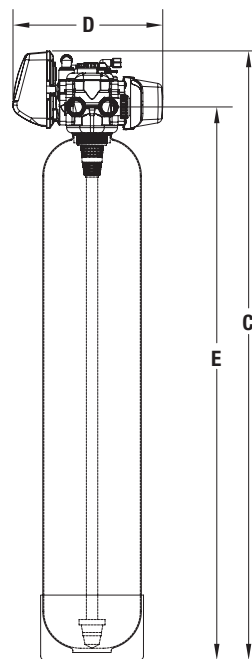
This Submittal is not intended to provide full installation instructions and safety information. In order to avoid property damage or injury, please refer to the complete installation manual and product safety information provided with the product.

PWSRTA

	PWSRTA130	PWSRTA145	PWSRTA160
Max/Min Ion Exchange Capacity	30,000/20,000	45,000/30,000	60,000/40,000
Lbs of salt required for Max/Min capacity	15-6	22.5-9	30-12
Salt Storage Capacity	400	400	400
Flow Rate in GPM @ 15 PSI Drop	13 - 19	14 - 21	15 - 21
Backwash Flow Rate GPM	2.2	2.7	3.2
Drain Line Connection Size	3/4" NPT	3/4" NPT	3/4" NPT
Inlet/Outlet Pipe Size	1"	1"	1"
Electrical Requirements	120v60Hz	120v60Hz	120v60Hz
Mineral Tank Size D X H	(2) 9" X 48"	(2) 10" x 54"	(2) 12" x 52"
Brine Tank Size D X H	18" x 40"	18" x 40"	18" x 40"
Approximate Shipping Weight Lbs	230	290	420



Front View



Side View

NOTES:

Input water conditions will influence the performance and flow rate of the system.

All units come standard with 1" bypass

All units are shipped from factory set at minimum capacity and minimum salt usage to afford a 40% salt savings.

If Iron content is up to 1 PPM use resin cleaner regularly. Iron over 1 PPM should be pre-treated.

Dimensions

MODEL NO.	MINERAL TANK		INLET		OUTLET		OVERALL HEIGHT		OVERALL DEPTH		BRINE TANK	
	(A & B)		E		E		C		D			
	in.	mm	in.	mm	in.	mm	in.	mm	in.	mm	in.	mm
PWSRTA130	9 x 48	229 x 1219	51	1295	51	1295	56	1422	31	787	18 x 40	457 x 1016
PWSRTA145	10 x 54	254 x 1372	57	1449	57	1449	62	1575	31	787	18 x 40	457 x 1016
PWSRTA160	12 x 52	305 x 1321	55.5	1412	55.5	1412	61	1549	31	787	18 x 40	457 x 1016



USA: Tel: (800) 224-1299 • Fax: (978) 794-1848 • Watts.com/PureWater

Canada: Tel: (905) 332-4090 • Fax: (905) 332-7068 • Watts.ca/PureWater

Latin America: Tel: (52) 81-1001-8600 • Fax: (52) 81-8000-7091 • Watts.com/PureWater