

For Press Piping Applications

Job Name _____

Contractor _____

Job Location _____

Approval _____

Engineer _____

Contractor's P.O. No. _____

Approval _____

Representative _____

LEAD FREE*

Series

LFFBV-3-Press-M1

2-Piece, Full Port, Lead Free* Brass Ball Valves with Integral Press Fitting End Connection

Designed for use in ProPress® Piping Systems
 Sizes: 1/2" – 2"

The Series LFFBV-3-Press-M1 features Lead Free* construction to comply with low lead installation requirements.

Features

- Lead Free* brass body
- Tested and Certified to NSF/ANSI 61 Annex G 1/2" – 2"
- UL Listed
- Designed for types K, L, and M hard copper tubing 1/2" - 2" and soft copper tubing 1/2" – 1 1/4"
- Press end connections comply to ASTM-B88
- Press connection rated to 200psi CWP up to 250°F (13.8 bar to 121°C)
- Triple reinforced stem seal design
- Bottom loaded, blowout proof stem with stem O-ring seal
- PTFE seats, seals and thrust washers

Specification

Approved valve to be 2-piece, full port, forged body of Lead Free* brass. Certified to NSF/ANSI 61 Annex G by UL for potable water applications. Lead Free* T.E.A. coated brass ball and PTFE seats, seal, and thrust washer required. Approved valve must have a stem FKM O-ring seal. Press fitting rated to 200psi CWP up to 250°F (13.8 bar to 121°C) and press ends must comply to ASTM-B88. The valve shall be constructed using Lead Free* brass. Lead Free* chrome-plated brass ball valves shall comply with state codes and standards, where applicable, requiring reduced lead content. Valve shall be a Watts Series LFFBV-3-Press-M1.

ProPress® is a registered trademark of Viega N.A.



LFFBV-3-Press-M1

Approvals

UL Listed

Tested and Certified to NSF/ANSI 61 Annex G



NOTICE

The information contained herein is not intended to replace the full product installation and safety information available or the experience of a trained product installer. You are required to thoroughly read all installation instructions and product safety information before beginning the installation of this product.

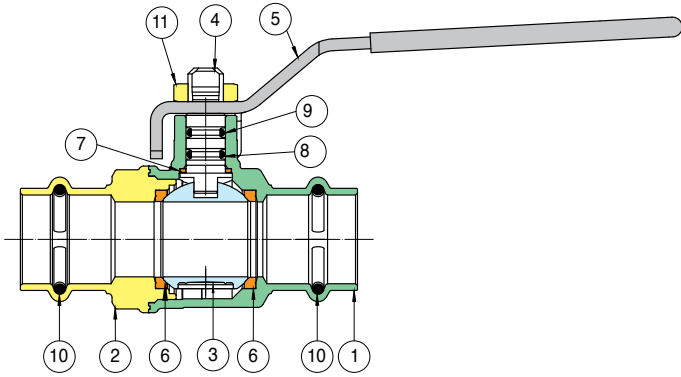
NOTICE

Inquire with governing authorities for local installation requirements

***The wetted surface of this product contacted by consumable water contains less than 0.25% of lead by weight.**

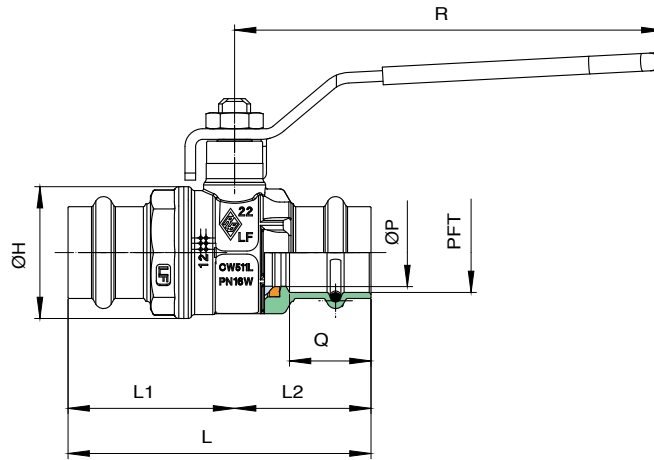
Watts product specifications in U.S. customary units and metric are approximate and are provided for reference only. For precise measurements, please contact Watts Technical Service. Watts reserves the right to change or modify product design, construction, specifications, or materials without prior notice and without incurring any obligation to make such changes and modifications on Watts products previously or subsequently sold.

Materials



N POS	PART NAME	MATERIAL	N PCS
1	Body	DZR Brass CW511L *	1
2	End Connection	DZR Brass CW511L *	1
3	Ball	T.E.A Coated Brass CW510L *	1
4	Stem	Brass CW510L *	1
5	Handle	Steel DD11	1
6	Ball Seat	PTFE	2
7	Thrust Washer	PTFE	1
8	O-Ring	NBR	1
9	O-Ring	FKM	1
10	O-Ring	EPDM PEROX	2
11	Nut	Steel CL04	1

Dimensions-Weights



SIZE		DIMENSIONS										WEIGHT						
PFT	ØP	Q		ØH		L		L1		L2		H		R		lbs.	kgs	
in.	in.	mm	in.	mm	in.	mm	in.	mm	in.	mm	in.	mm	in.	mm	in.	mm		
1/2	9/16	13.97	11/16	18.03	1 1/4	30.99	2 15/16	74.42	1 5/8	40.89	1 5/16	33.27	1 3/4	44.96	3 3/4	96.01	0.44	0.20
3/4	3/4	19.05	15/16	23.11	1 7/16	37.08	3 3/8	85.60	1 7/8	46.99	1 1/2	38.61	2 1/4	56.39	4 3/4	120.90	0.72	0.32
1	15/16	23.88	15/16	23.88	1 3/4	44.70	3 13/16	96.77	2 1/8	53.59	1 11/16	43.18	2 9/16	58.93	4 3/4	120.90	1.06	0.48
1 1/4	1 3/16	30.23	1	25.91	2 1/8	53.59	4 9/16	105.92	2 1/4	56.90	1 15/16	49.02	2 7/8	72.39	5 15/16	150.88	1.6	0.72
1 1/2	1 1/2	38.10	1 7/16	36.07	2 5/8	67.06	5 1/4	132.84	2 3/4	70.61	2 7/16	62.23	3 1/16	78.49	5 15/16	150.88	2.57	1.16
2	1 15/16	49.53	1 3/4	39.88	3 3/8	86.11	6 1/4	159.26	3 5/16	83.57	3	75.69	3 11/16	93.98	6 5/16	160.02	4.64	2.09

