

Job Name \_\_\_\_\_  
 Job Location \_\_\_\_\_  
 Engineer \_\_\_\_\_  
 Approval \_\_\_\_\_

Contractor \_\_\_\_\_  
 Approval \_\_\_\_\_  
 Contractor's P.O. No. \_\_\_\_\_  
 Representative \_\_\_\_\_

# Series SC8

## Cast Brass Hose Bibbs

### with Separate Tamper-proof Vacuum Breaker

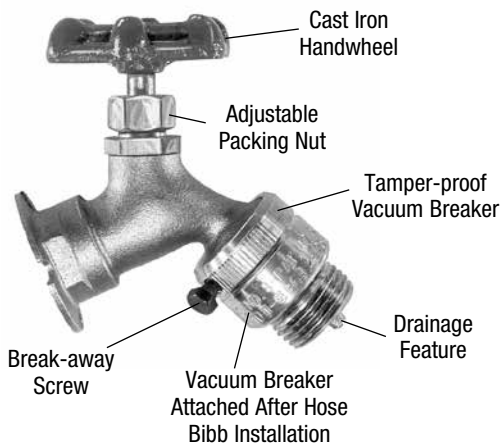
Watts offers six styles of hose bibbs which are supplied with separate vacuum breaker to be attached to the hose bibb after hose bibb installation. Once the vacuum breaker is properly installed to the hose bibb it is tamper-proof. This provides backsiphonage protection for po-table hoses connected to hose thread faucets. Garden hoses are an extension of the plumbing system and have been known to cause illness or death when unprotected in uses such as with chemical sprayers, flushing of tanks or pipes, or the filling of pools.

### Models

- SC8-1** No kink faucet, 1/2" male NPT or copper sweat connection with vacuum breaker.
- SC8-2** No kink hose faucet, 3/4" copper sweat connection with vacuum breaker.
- SC8-3** Lawn faucet, 1/2" or 3/4" regular pattern, dual sweat connection with vacuum breaker.
- SC8-4** Lawn faucet, 3/4" female NPT regular pattern with vacuum breaker.
- SC8-5** Hose bibb hex shoulder, 1/2" male NPT with tee handle and vacuum breaker.
- SC8-6** Hose bibb hex shoulder, 3/4" male NPT with tee handle and vacuum breaker.

### Features

- Backflow backsiphonage protection
- Separate non-removable vacuum breaker (with break-away screw)



**NOTICE**

The information contained herein is not intended to replace the full product installation and safety information available or the experience of a trained product installer. You are required to thoroughly read all installation instructions and product safety information before beginning the installation of this product.

**NOTICE**

Inquire with governing authorities for local installation requirements

Watts product specifications in U.S. customary units and metric are approximate and are provided for reference only. For precise measurements, please contact Watts Technical Service. Watts reserves the right to change or modify product design, construction, specifications, or materials without prior notice and without incurring any obligation to make such changes and modifications on Watts products previously or subsequently sold.



## Standards

Tamper-proof vacuum breaker (Watts Model 8B) is tested and approved in conformance with Standard 1011 of the American Society of Sanitary Engineers and by all principal cities, states and areas having these requirements.

IAPMO Uniform Plumbing Code

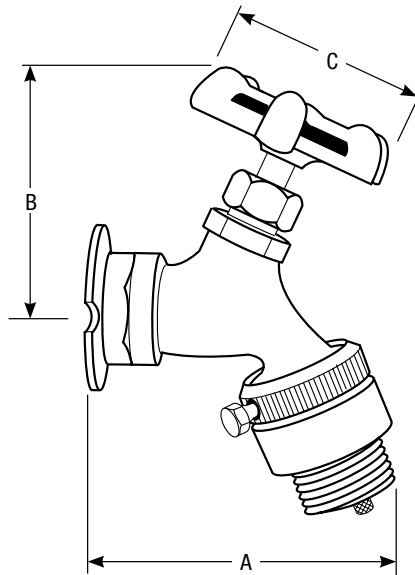


## How it Works

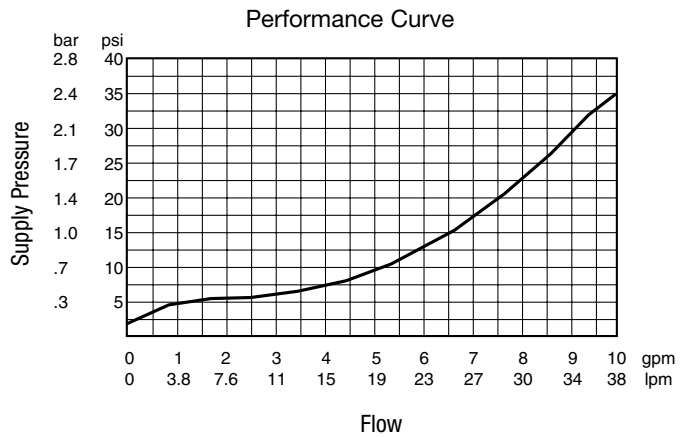
Series SC8 is a combination hose bibb with separate tamper-proof vacuum breaker - to be attached after installation. Under normal conditions, the inner diaphragm opens to permit generous flow, while the circumferential diaphragm closes the air vents.

Should supply pressure drop and a backflow begin, the inner diaphragm immediately closes to prevent backflow into the main line, while the circumferential diaphragm opens the air vents to break the vacuum.

## Dimensions – Weight



## Capacity



MODEL	ORDER NO.	SIZE	DESCRIPTION	DIMENSIONS						WEIGHT	
				A		B		C		lbs.	kgs.
		in.		in.	mm.	in.	mm.	in.	mm.		
<b>NO KINK HOSE FAUCET with tee handle and vacuum breaker</b>											
SC8-1	611150	1/2	Male I.P. or Copper Connection	3/8	79	2 1/2	64	2 1/4	57	.75	.34
SC8-2	611250	3/4	Copper Connection	3/8	79	2 1/2	64	2 1/4	57	.75	.34
<b>LAWN FAUCET (Sillcock) with cast iron handwheel and vacuum breaker</b>											
SC8-3	611350	1/2 or 3/4	Regular Pattern, Dual Connections	3/4	83	2 1/2	64	2 1/4	57	.75	.34
SC8-4	611450	3/4	I.P. Regular Pattern	3/4	83	2 1/2	64	2 1/4	57	.75	.34
<b>HOSE BIBB HEX SHOULDER with tee handle</b>											
SC8-5	611550	1/2	I.P. Inlet Hose End	3/8	92	2	51	2 1/4	57	.75	.34
SC8-6	611650	3/4	I.P. Inlet Hose End	3/4	95	2	51	2 1/4	57	.75	.34

Note: Models SC8-1 through SC8-5 are packaged with the Model 8B vacuum breaker with break-away set screw. The SC8-6 model is packaged with the Model 8 which has an allen head set screw.

