

- NOTES:
- ALL DIMENSIONS SHOWN IN TABLE ARE IN INCHES, UNLESS OTHERWISE NOTED & ARE ± 1 INCH (25MM).
 - ALL ITEMS SHOWN IN PHANTOM LINE ARE TO BE PROVIDED BY OTHERS.
 - ALL DIMENSIONS ARE SUBJECT TO CHANGE WITHOUT ANY NOTICE.
 - INSTALL UNIONS FITTINGS ON INLET, OUTLET & DRAIN PLUMBING CONNECTIONS.
 - PROVIDE A 2 FEET MINIMUM CLEARANCE ABOVE MINERAL TANK FOR FILLING MEDIA.
 - A GFCI EQUIPT ELECTRICAL OUTLET SHOULD BE PROVIDED WITHIN 5 FEET OF EQUIPMENT LOCATION.
 - USE DIELECTRIC UNIONS ON PLUMBING CONNECTIONS OF CONTROL VALVE WHEN DISSIMILAR METALS ARE PRESENT.
 - PROVIDED SYSTEM SHALL NOT BE SUBJECT TO ANY VACUUM. IF RISK OF VACUUM IS PRESENT, INSTALL SIPHON BREAK ON DRAIN LINE & INSTALL VACUUM RELIEF VALVE WATTS ORDERING CODE # 0556031 ON INLET LINE.
 - BRINE TANK DIMENSIONS SHOWN ON TABLE ARE FACTORY SELECTED FOR USE WITH THE SPECIFIED SYSTEM SIZE.
 - DO NOT INSTALL DRAIN LINE DIRECTLY TO A DRAIN. FOR PROPER DRAIN CONNECTION FOLLOW ALL NATIONAL, STATE AND LOCAL CODES. DO NOT CONSTRUCT DRAIN LINE TO ELEVATIONS THAT EXCEED 4 FEET ABOVE THE CONTROL VALVE'S DRAIN PORT.
 - THE FULL WEIGHT OF THE PIPING AND VALVES MUST BE SUPPORTED BY PIPE HANGERS OR OTHER MEANS.
 - INLET AND OUTLET HEADERS NEED TO BE SIZED ACCORDING TO FLOW RATE REQUIREMENTS BY OTHERS.
 - POWER REQUIREMENTS: 115V/60HZ 2.7 AMPS PER CONTROL VALVE UNLESS OTHERWISE SPECIFIED.
 - BRINE TANK MUST BE LOCATED WITHIN 10 FEET OF SYSTEM CONTROL VALVE AND ON A COMMON FLOOR ELEVATION WITH MINERAL TANK TO ENSURE PROPER BRINE DRAW OPERATION.
 - USE FACTORY SUPPLIED BRINE TUBING. DO NOT USE SMALLER DIAMETER TUBING THAN WHAT IS SUPPLIED.
 - LIMIT INLET PRESSURE TO NOT EXCEED MAXIMUM PUBLISHED OPERATING PRESSURE.

SERIES LC-150 SIMPLEX DIMENSION (INCHES) & SPECIFICATIONS

MODEL NO.	ORDERING CODES (EDP NO.)	MINERAL TANK SIZE	INLET	OUTLET	OVERALL HEIGHT (SEE NOTE 5)	OVERALL DEPTH	OVERALL WIDTH	MINIMUM INLET PIPE DISTANCE	BRINE TANK (SEE NOTE 9)	CONTROL VALVE INLET/OUTLET PIPE SIZE (NPT)	DRAIN CONN. SIZE (NPT)	SERVICE FLOW GPM @ 15 PSI DROP	PEAK SERVICE FLOW GPM @ 25 PSI DROP	DRAIN FLOW RATE (GPM)	MIN/MAX OPERATING TEMP F°	MIN/MAX OPERATING PRESSURE (PSI)	ESTIMATED OPERATING WEIGHT (LBS)	ESTIMATED SHIPPING WEIGHT (LBS)
M4210B-285NT	68105530	12 X 52	54.88	55.75	61.00	13.94	19.00	8.5	18 X 40	1.5	1.0	15	20	3.5	34/110	25/125	778.4	210.0
M4214B-285NT	68105535	14 X 65	66.94	67.88	73.38	14.94	19.81	10.5	18 X 40	1.5	1.0	17	22	5.0	34/110	25/125	926.3	240.0
M4218B-285NT	68105540	16 X 65	66.94	67.88	73.38	15.94	20.81	12.5	18 X 40	1.5	1.0	25	40	7.0	34/110	25/125	1089.3	320.0
M4222B-285NT	68105545	18 X 65	68.00	69.00	74.44	18.13	21.81	14.5	24 X 41	1.5	1.0	30	50	11.0	34/110	25/125	1460.9	380.0
M4226B-285NT	68105549	21 X 62	70.00	71.00	76.44	21.13	23.81	17.5	24 X 50	1.5	1.0	35	53	13.0	34/110	25/125	2028.7	585.0
M4230B-285NT	68105553	24 X 72	76.38	77.25	82.75	24.13	24.81	20.5	30 X 50	1.5	1.0	40	55	15.0	34/110	25/125	2996.4	710.0

WATTS 815 CHESTNUT ST. NORTH ANDOVER, MA 01845

THIS DRAWING IS CONFIDENTIAL AND OTHER DATA OF A PROPRIETARY NATURE OWNED BY WATTS WATER TECHNOLOGIES, INC. AND MAY NOT BE USED OR DISCLOSED TO OTHERS WITHOUT THE PRIOR WRITTEN CONSENT OF WATTS WATER TECHNOLOGIES, INC.

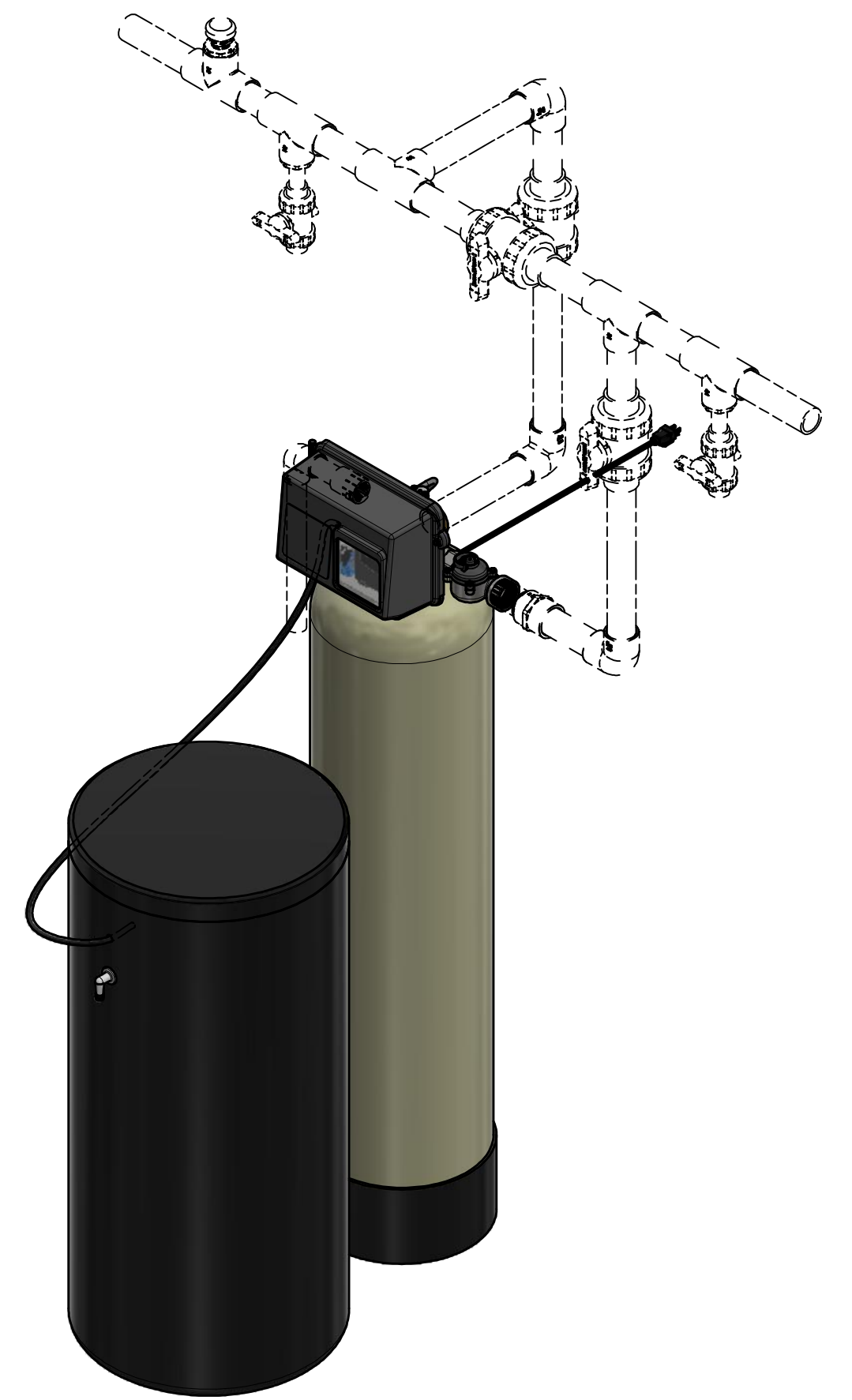
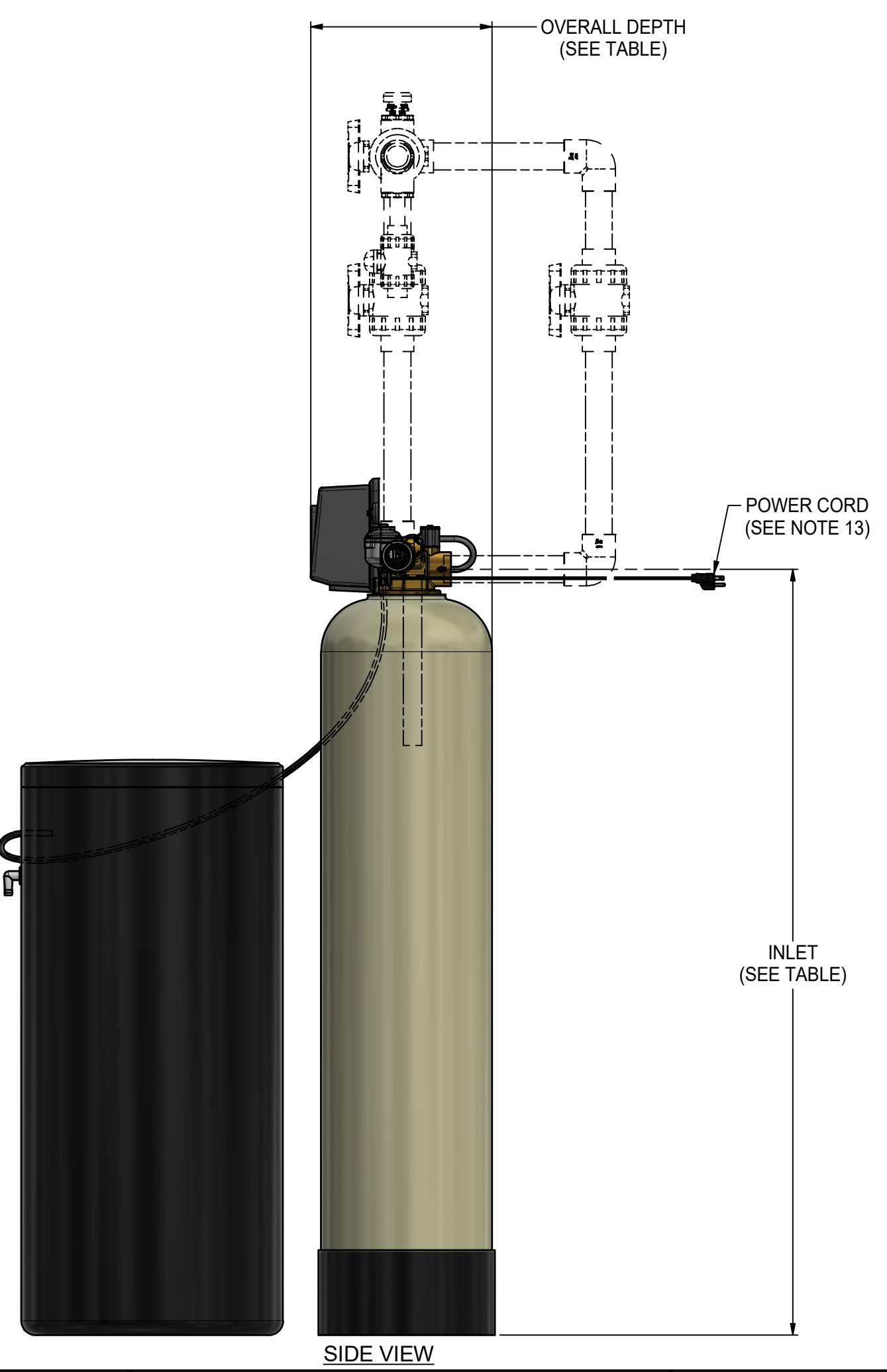
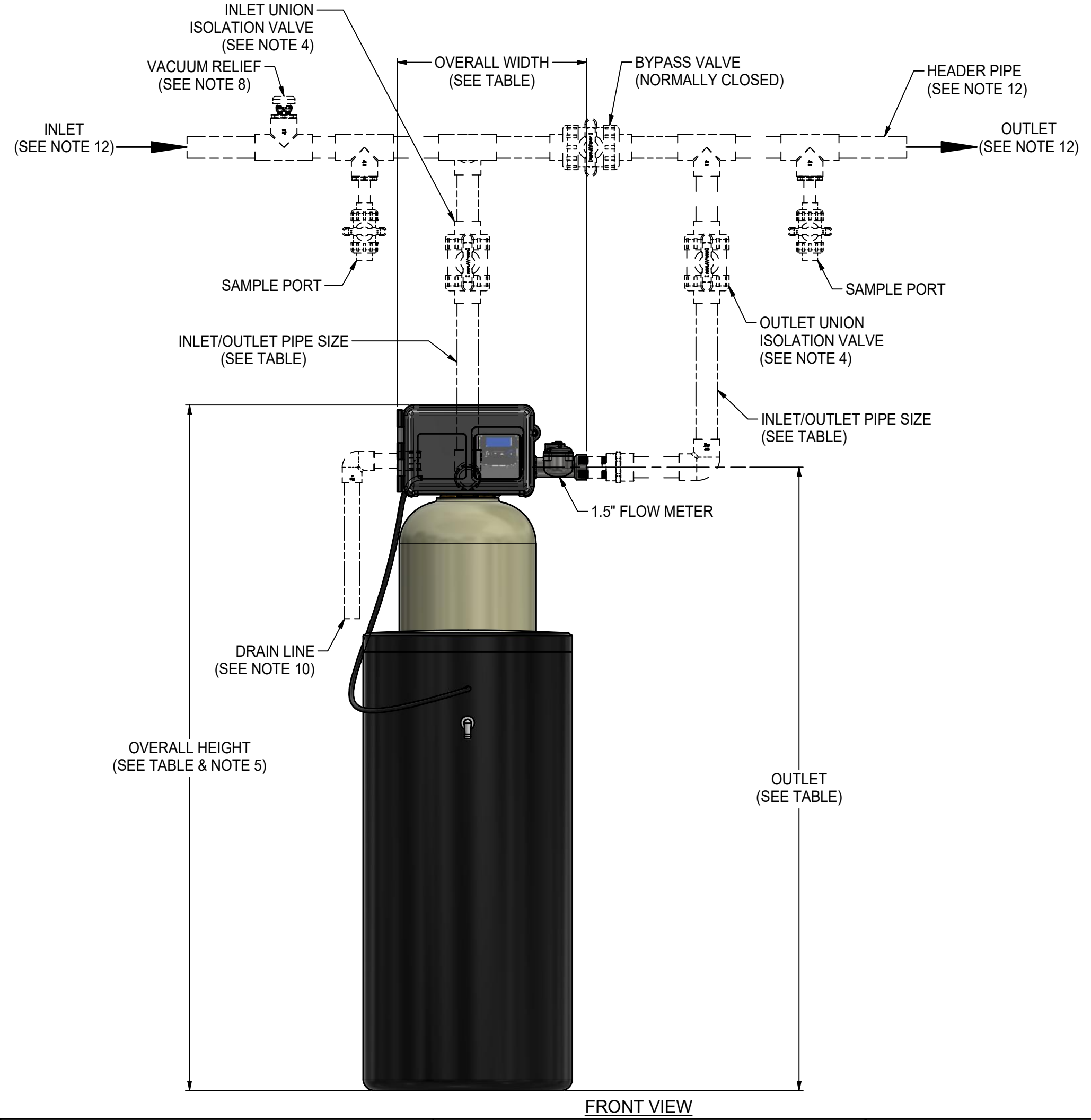
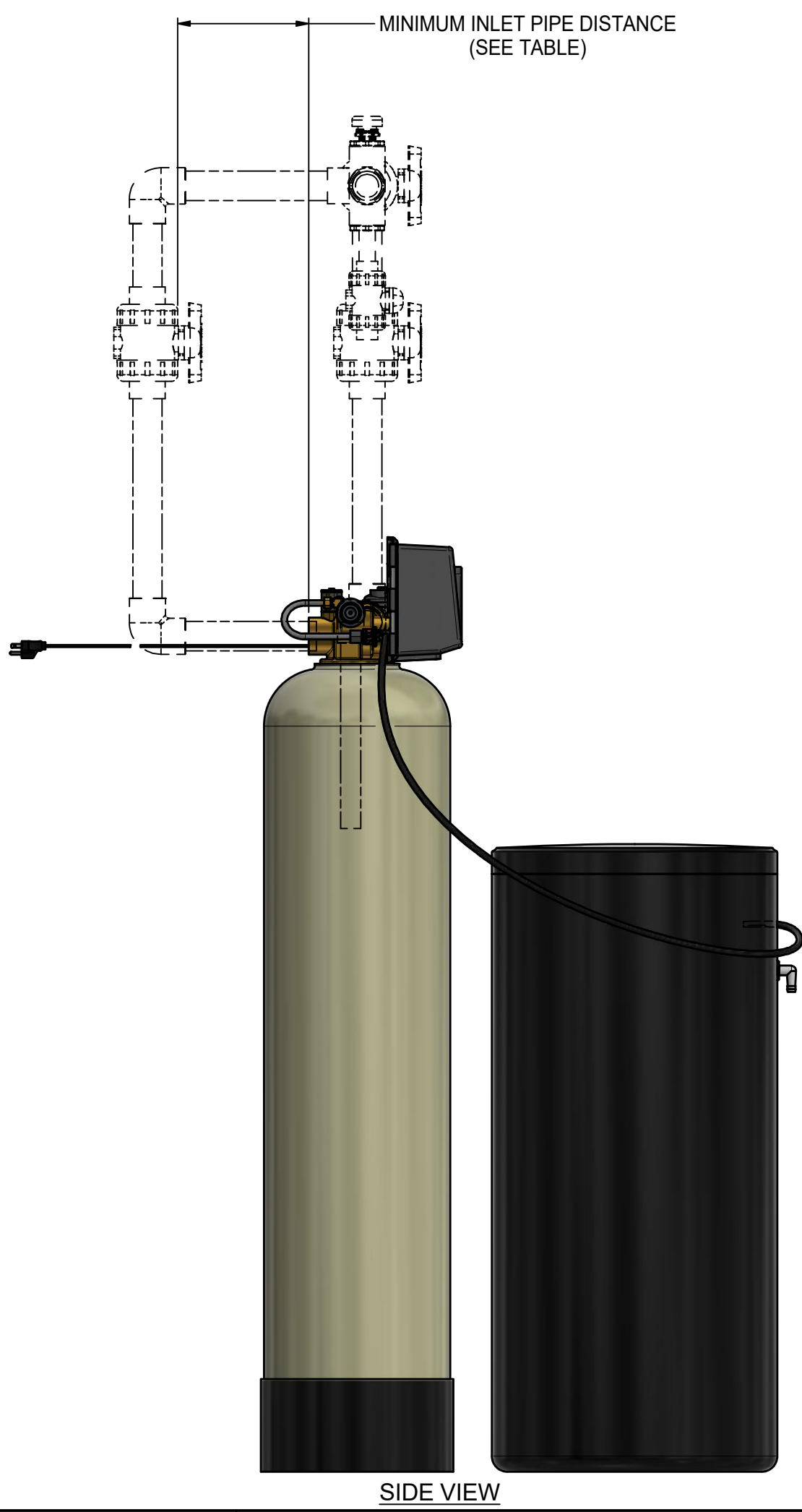
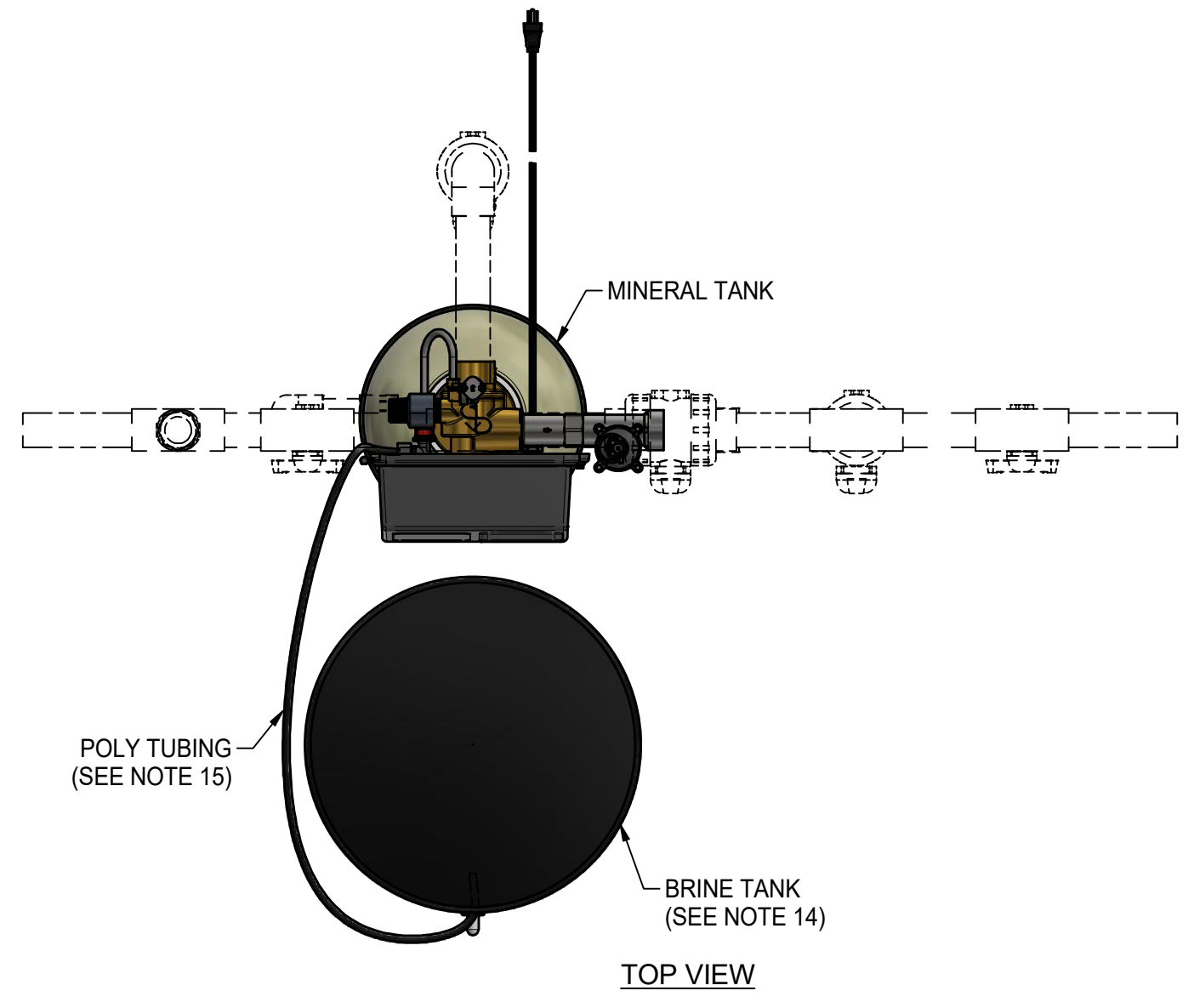
DWG BY: JR DATE: 2/22/2021 SCALE: NTS SHEET: 1 OF 1 SUPERSEDES: CHD BY: RL DATE: 2/22/2021

LIMITS UNLESS SPECIFIED: FRACTIONAL ANGULAR 1/16" 3/32" 1/8" 1/4" 3/8" 1/2" 5/8" 3/4" 1" 1 1/4" 1 1/2" 1 3/4" 2" 2 1/2" 3" 3 1/2" 4" 4 1/2" 5" 5 1/2" 6" 6 1/2" 7" 7 1/2" 8" 8 1/2" 9" 9 1/2" 10" 10 1/2" 11" 11 1/2" 12" 12 1/2" 13" 13 1/2" 14" 14 1/2" 15" 15 1/2" 16" 16 1/2" 17" 17 1/2" 18" 18 1/2" 19" 19 1/2" 20" 20 1/2" 21" 21 1/2" 22" 22 1/2" 23" 23 1/2" 24" 24 1/2" 25" 25 1/2" 26" 26 1/2" 27" 27 1/2" 28" 28 1/2" 29" 29 1/2" 30" 30 1/2" 31" 31 1/2" 32" 32 1/2" 33" 33 1/2" 34" 34 1/2" 35" 35 1/2" 36" 36 1/2" 37" 37 1/2" 38" 38 1/2" 39" 39 1/2" 40" 40 1/2" 41" 41 1/2" 42" 42 1/2" 43" 43 1/2" 44" 44 1/2" 45" 45 1/2" 46" 46 1/2" 47" 47 1/2" 48" 48 1/2" 49" 49 1/2" 50" 50 1/2" 51" 51 1/2" 52" 52 1/2" 53" 53 1/2" 54" 54 1/2" 55" 55 1/2" 56" 56 1/2" 57" 57 1/2" 58" 58 1/2" 59" 59 1/2" 60" 60 1/2" 61" 61 1/2" 62" 62 1/2" 63" 63 1/2" 64" 64 1/2" 65" 65 1/2" 66" 66 1/2" 67" 67 1/2" 68" 68 1/2" 69" 69 1/2" 70" 70 1/2" 71" 71 1/2" 72" 72 1/2" 73" 73 1/2" 74" 74 1/2" 75" 75 1/2" 76" 76 1/2" 77" 77 1/2" 78" 78 1/2" 79" 79 1/2" 80" 80 1/2" 81" 81 1/2" 82" 82 1/2" 83" 83 1/2" 84" 84 1/2" 85" 85 1/2" 86" 86 1/2" 87" 87 1/2" 88" 88 1/2" 89" 89 1/2" 90" 90 1/2" 91" 91 1/2" 92" 92 1/2" 93" 93 1/2" 94" 94 1/2" 95" 95 1/2" 96" 96 1/2" 97" 97 1/2" 98" 98 1/2" 99" 99 1/2" 100"

TITLE: GENERAL INSTALLATION, SERIES LC-150 SIMPLEX 1.5" WATER SOFTENERS PART NO.: SEE TABLE

MATERIAL: N/A EDP NO.: SEE TABLE SIZE: D REV: 1

OTHER: ESTIMATED WEIGHT: SEE TABLE FILE TYPE: CAD



CLIENT PROJECT SIGN-OFF

JOB NAME: _____

JOB LOCATION: _____

CONTRACTOR: _____

CONTRACTOR APPROVAL: _____

CONTRACTOR APPROVAL DATE: _____

CONTRACTOR PO NO: _____

ENGINEER: _____

ENGINEER APPROVAL: _____

ENGINEER APPROVAL DATE: _____