

- NOTES:**
- ALL DIMENSIONS SHOWN IN TABLE ARE IN INCHES, UNLESS OTHERWISE NOTED & ARE ± 1 INCH (25MM).
  - ALL ITEMS SHOWN IN PHANTOM LINE ARE TO BE PROVIDED BY OTHERS.
  - ALL DIMENSIONS ARE SUBJECT TO CHANGE WITHOUT ANY NOTICE.
  - INSTALL UNIONS FITTINGS ON INLET & OUTLET PLUMBING CONNECTIONS.
  - PROVIDE A 2 FEET MINIMUM CLEARANCE ABOVE MINERAL TANK FOR FILLING MEDIA.
  - FOR INSTALLATIONS USING METAL PLUMBING, CONNECT A METAL BONDING STRAP TO INLET & OUTLET METAL PLUMBING TO MAINTAIN ELECTRICAL CONTINUITY.
  - PROVIDED SYSTEM SHALL NOT BE SUBJECT TO ANY VACUUM. IF RISK OF VACUUM IS PRESENT, INSTALL VACUUM RELIEF VALVE WATTS ORDERING CODE # 0556031 ON OUTLET LINE.
  - THE FULL WEIGHT OF THE PIPING AND VALVES MUST BE SUPPORTED BY PIPE HANGERS OR OTHER MEANS.
  - INLET AND OUTLET HEADERS NEED TO BE SIZED ACCORDING TO FLOW RATE REQUIREMENTS BY OTHERS.
  - LIMIT INLET PRESSURE TO NOT EXCEED MAXIMUM PUBLISHED OPERATING PRESSURE.
  - PLUMBING ADAPTERS CAN ROTATE TO ACCOMMODATE OPTIMAL PIPING CONFIGURATIONS.
  - USE DIELECTRIC UNIONS ON PLUMBING CONNECTIONS WHEN DISSIMILAR METALS ARE PRESENT.

MODELS OF744, OF844, OF948, OF1054 ONEFLOW ANTI-SCALE SYSTEMS DIMENSION (INCHES) & SPECIFICATIONS

MODEL NO.	ORDERING CODE (EDP NO.)	MINERAL TANK SIZE	INLET	OUTLET	OVERALL HEIGHT (SEE NOTE 5)	OVERALL DEPTH	OVERALL WIDTH	MINIMUM INLET PIPE DISTANCE	SYSTEM INLET/OUTLET PIPE SIZE CONN. & TYPE	PEAK SERVICE FLOW GPM	MIN/MAX OPERATING TEMP F°	MIN/MAX OPERATING PRESSURE (PSI)	ESTIMATED OPERATING WEIGHT (LBS)	ESTIMATED SHIPPING WEIGHT (LBS)
OF744-10-C	0002102	7 X 44	46.6	46.6	48.50	8.00	7.00	2.00	1.0" PLASTIC MPT	10.00	40/100	15/100	84.60	26.60
OF744-10-D	0002103	7 X 44	46.6	46.6	48.50	8.00	7.00	2.00	1.25" PLASTIC MPT	10.00	40/100	15/100	84.60	26.60
OF744-10-E	0002104	7 X 44	46.6	46.6	48.50	8.00	7.00	2.00	1.0" PLASTIC MPT 90 ELBOW	10.00	40/100	15/100	84.60	26.60
OF844-12-A	0002105	8 X 44	46.6	46.6	48.50	8.50	8.00	3.00	.75" SWEAT	12.00	40/100	15/100	102.50	30.50
OF844-12-B	0002106	8 X 44	46.6	46.6	48.50	8.50	8.00	3.00	1.0" SWEAT	12.00	40/100	15/100	102.50	30.50
OF844-12-C	0002107	8 X 44	46.6	46.6	48.50	8.50	8.00	3.00	1.0" PLASTIC MPT	12.00	40/100	15/100	102.50	30.50
OF844-12-D	0002108	8 X 44	46.6	46.6	48.50	8.50	8.00	3.00	1.25" PLASTIC MPT	12.00	40/100	15/100	102.50	30.50
OF844-12-E	0002109	8 X 44	46.6	46.6	48.50	8.50	8.00	3.00	1.0" PLASTIC MPT 90 ELBOW	12.00	40/100	15/100	102.50	30.50
OF948-16-A	0002110	9 X 48	50.6	50.6	51.50	9.00	9.00	4.00	.75" SWEAT	16.00	40/100	15/100	136.36	36.36
OF948-16-B	0002111	9 X 48	50.6	50.6	51.50	9.00	9.00	4.00	1.0" SWEAT	16.00	40/100	15/100	136.36	36.36
OF948-16-C	0002112	9 X 48	50.6	50.6	51.50	9.00	9.00	4.00	1.0" PLASTIC MPT	16.00	40/100	15/100	136.36	36.36
OF948-16-D	0002113	9 X 48	50.6	50.6	51.50	9.00	9.00	4.00	1.25" PLASTIC MPT	16.00	40/100	15/100	136.36	36.36
OF948-16-E	0002114	9 X 48	50.6	50.6	51.50	9.00	9.00	4.00	1.0" PLASTIC MPT 90 ELBOW	16.00	40/100	15/100	136.36	36.36
OF1054-20-A	0002115	10 X 54	56.6	56.6	57.50	10.0	10.0	5.00	.75" SWEAT	20.00	40/100	15/100	177.20	44.20
OF1054-20-B	0002116	10 X 54	56.6	56.6	57.50	10.0	10.0	5.00	1.0" SWEAT	20.00	40/100	15/100	177.20	44.20
OF1054-20-C	0002117	10 X 54	56.6	56.6	57.50	10.0	10.0	5.00	1.0" PLASTIC MPT	20.00	40/100	15/100	177.20	44.20
OF1054-20-D	0002118	10 X 54	56.6	56.6	57.50	10.0	10.0	5.00	1.25" PLASTIC MPT	20.00	40/100	15/100	177.20	44.20
OF1054-20-E	0002119	10 X 54	56.6	56.6	57.50	10.0	10.0	5.00	1.0" PLASTIC MPT 90 ELBOW	20.00	40/100	15/100	177.20	44.20

**WATTS**  
815 CHESTNUT ST.  
NORTH ANDOVER, MA 01845

FRAC TIONAL AN GULAR  
1/16 3/16  
1/8 1/4 3/8 1/2 5/8 3/4  
1 1 1/4 1 1/2 1 3/4 2  
COMMON SIZES (inches)  
1/2 3/4 1 1 1/4 1 1/2 1 3/4 2  
SURFACE FINISH: 303 STAINLESS STEEL  
316 STAINLESS STEEL  
201 STAINLESS STEEL  
DO NOT SCALE DRAWING

TITLE: GENERAL INSTALLATION, MODELS OF744, OF844, OF948, OF1054 ONEFLOW ANTI-SCALE SYSTEMS

PART NO.: SEE TABLE

MATERIAL: N/A

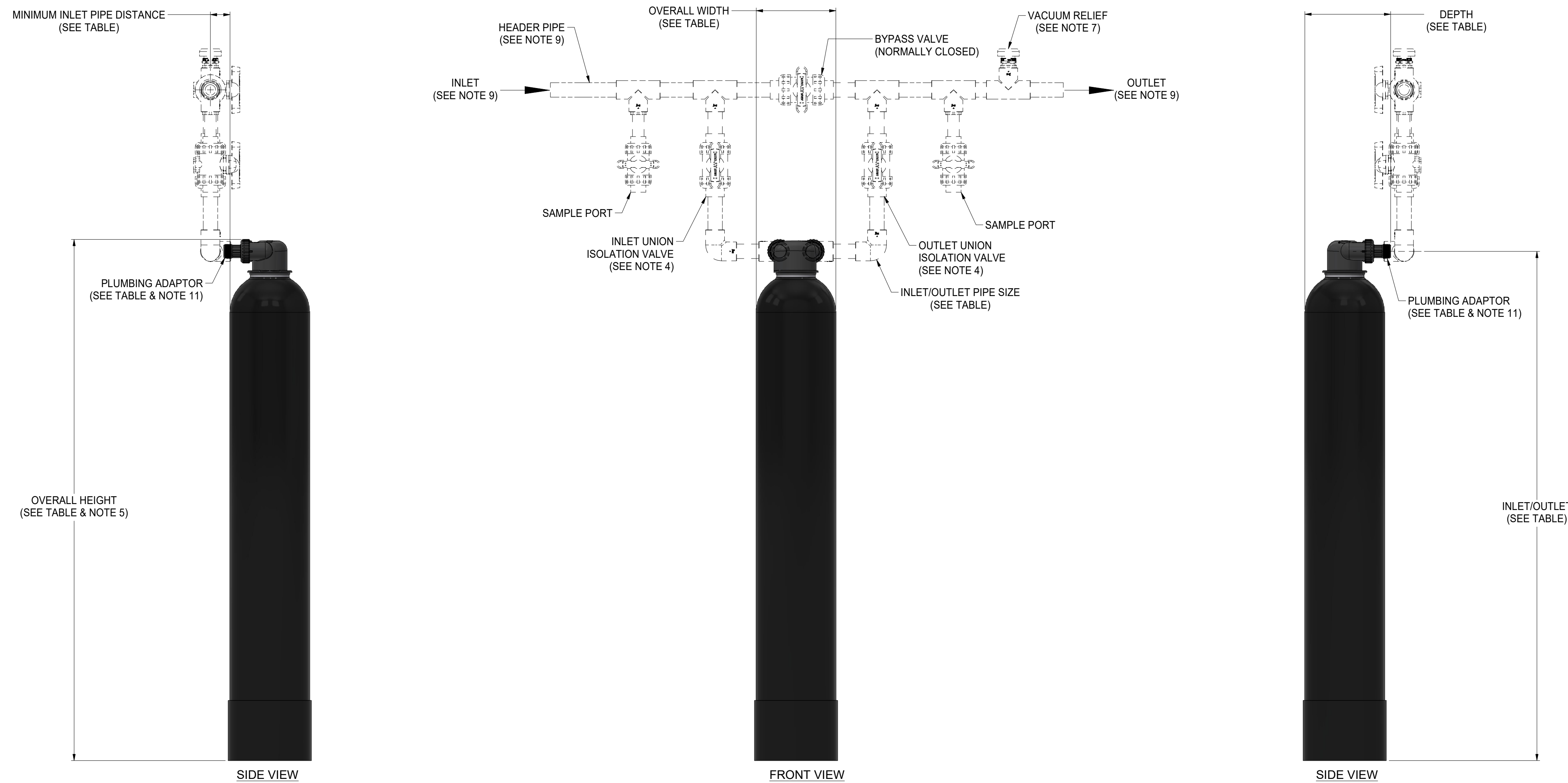
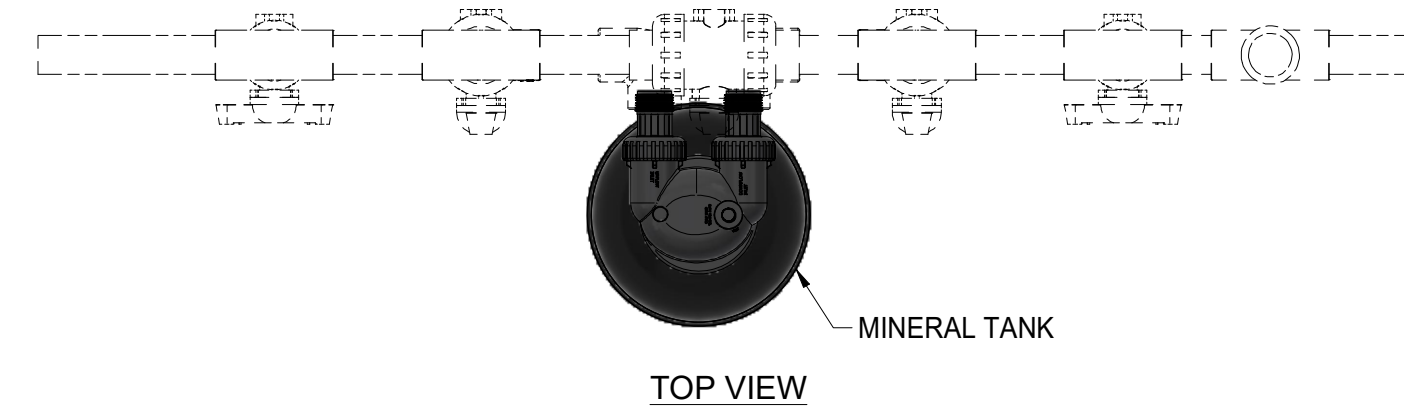
OTHER: ESTIMATED WEIGHT: SEE TABLE

EDP NO.: SEE TABLE

FILE TYPE: CAD

SIZE: D

REV: 0



CLIENT PROJECT SIGN-OFF

JOB NAME: \_\_\_\_\_

JOB LOCATION: \_\_\_\_\_

CONTRACTOR: \_\_\_\_\_

CONTRACTOR APPROVAL: \_\_\_\_\_

CONTRACTOR APPROVAL DATE: \_\_\_\_\_

CONTRACTOR PO NO: \_\_\_\_\_

ENGINEER: \_\_\_\_\_

ENGINEER APPROVAL: \_\_\_\_\_

ENGINEER APPROVAL DATE: \_\_\_\_\_