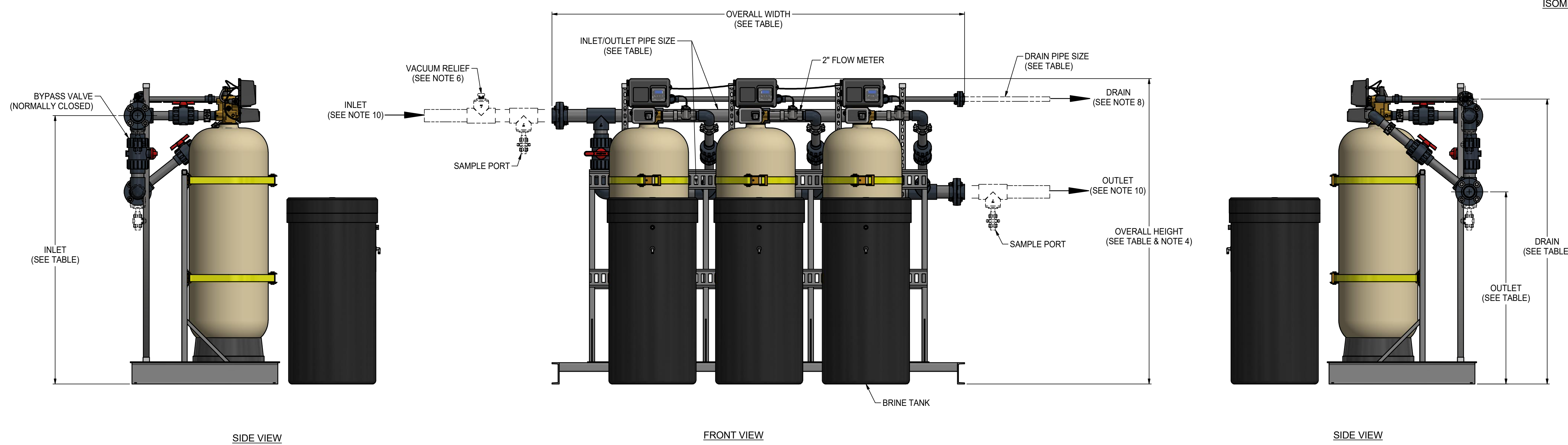
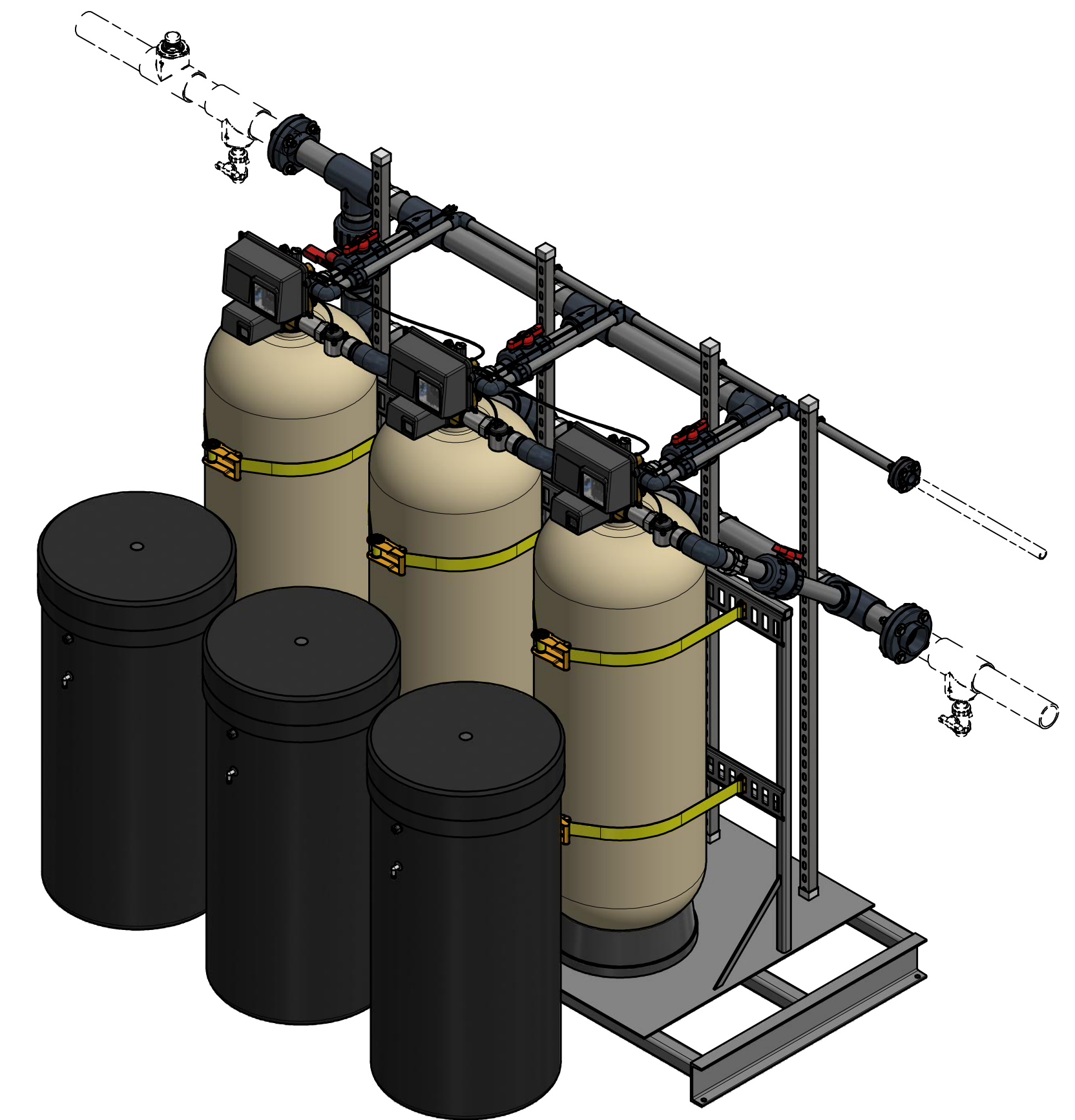
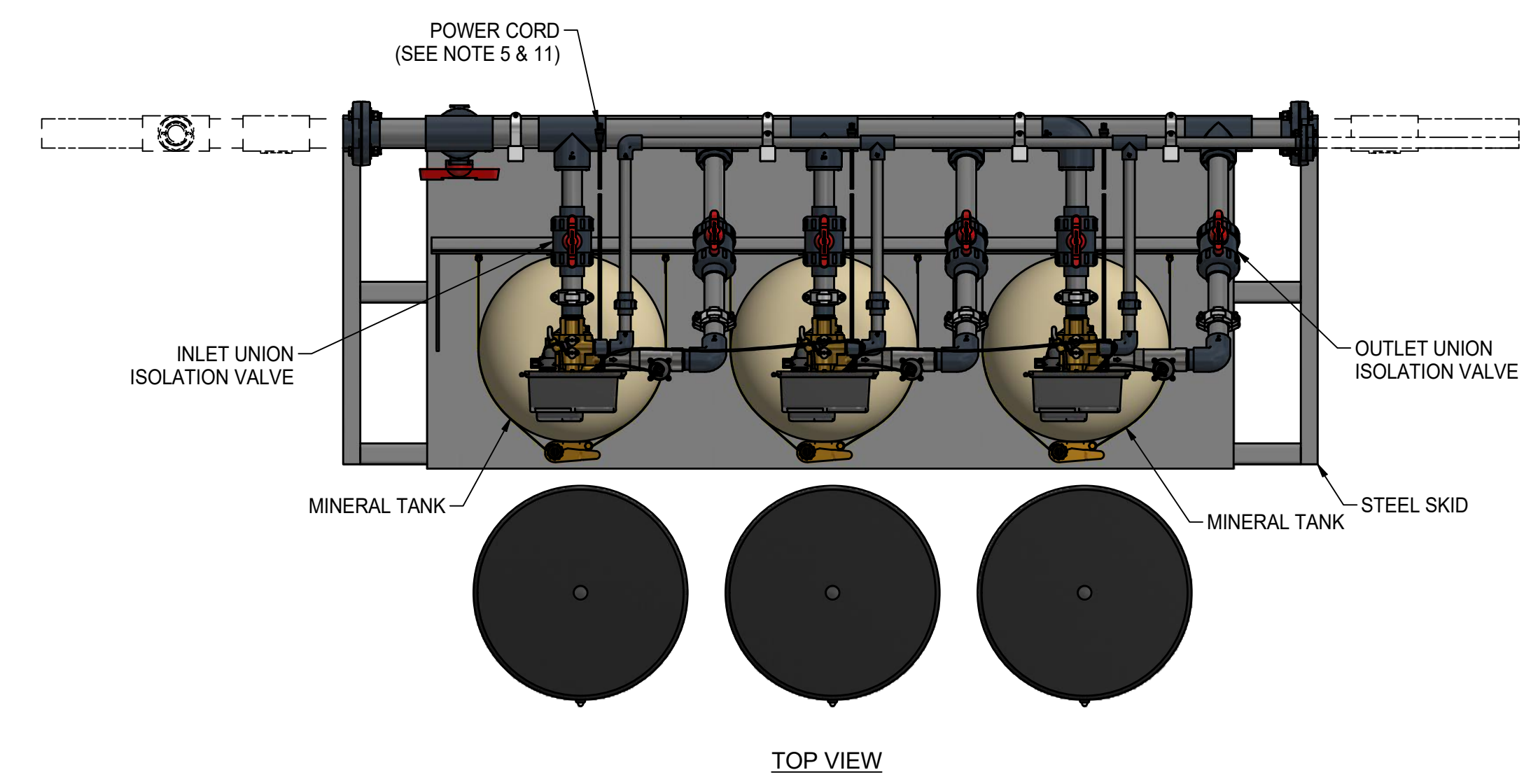


| SERIES HCP-200-PPSM TRIPLEX PROGRESSIVE DIMENSION (INCHES) & SPECIFICATIONS |                          |                   |       |        |       |                             |               |               |                         |                                     |  |                        |                                |                                     |                       |                           | DWG BY: JR                       |                                  |                                 | DATE: 3/29/2021   |  |  | SCALE: NTS  |  |  | SUPERSEDES:   |  |  |
|---|--------------------------|-------------------|-------|--------|-------|-----------------------------|---------------|---------------|-------------------------|-------------------------------------|--|------------------------|--------------------------------|-------------------------------------|-----------------------|---------------------------|----------------------------------|----------------------------------|---------------------------------|---|--|--|---|--|--|---------------|--|--|
| MODEL NO.   | ORDERING CODES (EDP NO.) | MINERAL TANK SIZE | INLET | OUTLET | DRAIN | OVERALL HEIGHT (SEE NOTE 4) | OVERALL DEPTH | OVERALL WIDTH | BRINE TANK (SEE NOTE 7) | INLET/OUTLET HEADER PIPE SIZE (NPT) | CONTROL VALVE INLET/OUTLET PIPE SIZE (NPT) | DRAIN CONN. SIZE (NPT) | SERVICE FLOW GPM @ 15 PSI DROP | PEAK SERVICE FLOW GPM @ 25 PSI DROP | DRAIN FLOW RATE (GPM) | MIN/MAX OPERATING TEMP F° | MIN/MAX OPERATING PRESSURE (PSI) | ESTIMATED OPERATING WEIGHT (LBS) | ESTIMATED SHIPPING WEIGHT (LBS) | DWG BY: RL  |  |  | DATE: 3/29/2021   |  |  | SCALE: 1 OF 1 |  |  |
| M4018TR-PPSM  | 68110287                 | 18 X 65           | 72.50 | 57.00  | 77.00 | 87.00                       | 42.00         | 114.00        | 24 X 41                 | 3.0                                 | 2.0  | 1.0                    | 141                            | 195                                 | 10.0                  | 34/110                    | 25/125                           | 5693                             | 2450                            | 815 CHESTNUT ST.  |  |  | NORTH ANDOVER, MA 01845   |  |  |               |  |  |
| M4052TR-PPSM  | 68105425                 | 21 X 62           | 75.50 | 60.00  | 80.00 | 90.00                       | 42.00         | 114.00        | 24 X 50                 | 3.0                                 | 2.0  | 1.0                    | 180                            | 231                                 | 12.0                  | 34/110                    | 25/125                           | 7381                             | 3050                            | LIMITS UNLESS SPECIFIED   |  |  | FRACTIONAL ANGULAR #1   |  |  |               |  |  |
| M4058TR-PPSM  | 68105440                 | 24 X 72           | 78.50 | 63.00  | 83.00 | 95.00                       | 42.00         | 114.00        | 30 X 50                 | 3.0                                 | 2.0  | 1.0                    | 222                            | 291                                 | 15.0                  | 34/110                    | 25/125                           | 10239                            | 3380                            | THIS DRAWING IS THE PROPERTY OF WATTS TECHNOLOGIES, INC. AND MAY NOT BE REPRODUCED OR TRANSMITTED IN ANY FORM OR BY ANY MEANS WITHOUT THE PRIOR WRITTEN CONSENT OF WATTS TECHNOLOGIES, INC. |  |  | TITLE: GENERAL INSTALLATION, SERIES HCP-200-PPSM TRIPLEX PROGRESSIVE 2" WATER SOFTENERS |  |  |               |  |  |
| M4059TR-PPSM  | 68105453                 | 30 X 72           | 84.5  | 69.00  | 89.00 | 100.00                      | 48.00         | 114.00        | 39 X 48                 | 4.0                                 | 2.0  | 1.0                    | 240                            | 300                                 | 25.0                  | 34/110                    | 25/125                           | 15451                            | 4780                            | PART NO.: SEE TABLE   |  |  | EDP NO.: SEE TABLE  |  |  |               |  |  |
| M4060TR-PPSM  | 68105465                 | 36 X 72           | 90.00 | 75.00  | 95.00 | 100.00                      | 48.00         | 114.00        | 39 X 60                 | 4.0                                 | 2.0  | 1.5                    | 252                            | 315                                 | 35.0                  | 34/110                    | 25/125                           | 19917                            | 5980                            | MATERIAL: N/A   |  |  | OTHER: ESTIMATED WEIGHT: SEE TABLE  |  |  |               |  |  |

- NOTES:
- ALL DIMENSIONS SHOWN IN TABLE ARE IN INCHES, UNLESS OTHERWISE NOTED & ARE ± 1 INCH (25MM).
  - ALL ITEMS SHOWN IN PHANTOM LINE ARE TO BE PROVIDED BY OTHERS.
  - ALL DIMENSIONS ARE SUBJECT TO CHANGE WITHOUT ANY NOTICE.
  - PROVIDE A 2 FEET MINIMUM CLEARANCE ABOVE MINERAL TANK FOR FILLING MEDIA.
  - A GFCI EQUIPT ELECTRICAL OUTLET SHOULD BE PROVIDED WITHIN 5 FEET OF EQUIPMENT LOCATION.
  - PROVIDED SYSTEM SHALL NOT BE SUBJECT TO ANY VACUUM. IF RISK OF VACUUM IS PRESENT, INSTALL SIPHON BREAK ON DRAIN LINE & INSTALL VACUUM RELIEF VALVE WATTS ORDERING CODE # 0556031 ON INLET LINE.
  - BRINE TANK DIMENSIONS SHOWN ON TABLE ARE FACTORY SELECTED FOR USE WITH THE SPECIFIED SYSTEM SIZE.
  - DO NOT INSTALL DRAIN LINE DIRECTLY TO A DRAIN. FOR PROPER DRAIN CONNECTION FOLLOW ALL NATIONAL, STATE AND LOCAL CODES. DO NOT CONSTRUCT DRAIN LINE TO ELEVATIONS THAT EXCEED 4 FEET ABOVE THE CONTROL VALVE'S DRAIN PORT.
  - THE FULL WEIGHT OF THE PIPING AND VALVES MUST BE SUPPORTED BY PIPE HANGERS OR OTHER MEANS.
  - INLET AND OUTLET SUPPLY PIPING NEEDS TO BE SIZED ACCORDING TO FLOW RATE REQUIREMENTS BY OTHERS.
  - POWER REQUIREMENTS: 115V/60HZ 2.7 AMPS PER CONTROL VALVE UNLESS OTHERWISE SPECIFIED.
  - BRINE TANK MUST BE LOCATED WITHIN 10 FEET OF SYSTEM CONTROL VALVE AND ON A COMMON FLOOR ELEVATION WITH MINERAL TANK TO ENSURE PROPER BRINE DRAW OPERATION.
  - USE FACTORY SUPPLIED BRINE TUBING. DO NOT USE SMALLER DIAMETER TUBING THAN WHAT IS SUPPLIED.
  - LIMIT INLET PRESSURE TO NOT EXCEED MAXIMUM PUBLISHED OPERATING PRESSURE.



CLIENT PROJECT SIGN-OFF

JOB NAME: \_\_\_\_\_

JOB LOCATION: \_\_\_\_\_

CONTRACTOR: \_\_\_\_\_

CONTRACTOR APPROVAL: \_\_\_\_\_

CONTRACTOR APPROVAL DATE: \_\_\_\_\_

CONTRACTOR PO NO: \_\_\_\_\_

ENGINEER: \_\_\_\_\_

ENGINEER APPROVAL: \_\_\_\_\_

ENGINEER APPROVAL DATE: \_\_\_\_\_