

- NOTES:
- ALL DIMENSIONS SHOWN IN TABLE ARE IN INCHES, UNLESS OTHERWISE NOTED & ARE ± 1 INCH (25MM).
 - ALL ITEMS SHOWN IN PHANTOM LINE ARE TO BE PROVIDED BY OTHERS.
 - ALL DIMENSIONS ARE SUBJECT TO CHANGE WITHOUT ANY NOTICE.
 - INSTALL UNIONS FITTINGS ON INLET, OUTLET & DRAIN PLUMBING CONNECTIONS.
 - PROVIDE A 2 FEET MINIMUM CLEARANCE ABOVE MINERAL TANK FOR FILLING MEDIA.
 - A GFCI EQUIPT ELECTRICAL OUTLET SHOULD BE PROVIDED WITHIN 5 FEET OF EQUIPMENT LOCATION.
 - USE DIELECTRIC UNIONS ON PLUMBING CONNECTIONS OF CONTROL VALVE WHEN DISSIMILAR METALS ARE PRESENT.
 - PROVIDED SYSTEM SHALL NOT BE SUBJECT TO ANY VACUUM. IF RISK OF VACUUM IS PRESENT, INSTALL SIPHON BREAK ON DRAIN LINE & INSTALL VACUUM RELIEF VALVE WATTS ORDERING CODE # 0556031 ON INLET LINE.
 - BRINE TANK DIMENSIONS SHOWN ON TABLE ARE FACTORY SELECTED FOR USE WITH THE SPECIFIED SYSTEM SIZE.
 - DO NOT INSTALL DRAIN LINE DIRECTLY TO A DRAIN. FOR PROPER DRAIN CONNECTION FOLLOW ALL NATIONAL, STATE AND LOCAL CODES. DO NOT CONSTRUCT DRAIN LINE TO ELEVATIONS THAT EXCEED 4 FEET ABOVE THE CONTROL VALVE'S DRAIN PORT.
 - THE FULL WEIGHT OF THE PIPING AND VALVES MUST BE SUPPORTED BY PIPE HANGERS OR OTHER MEANS.
 - INLET AND OUTLET HEADERS NEED TO BE SIZED ACCORDING TO FLOW RATE REQUIREMENTS BY OTHERS.
 - POWER REQUIREMENTS: 115V/60HZ 2.7 AMPS PER CONTROL VALVE UNLESS OTHERWISE SPECIFIED.
 - BRINE TANK MUST BE LOCATED WITHIN 10 FEET OF SYSTEM CONTROL VALVE AND ON A COMMON FLOOR ELEVATION WITH MINERAL TANK TO ENSURE PROPER BRINE DRAW OPERATION.
 - USE A MINIMUM OF 1 INCH SCH 40 PVC PIPING FOR CONSTRUCTION OF BRINE LINE.
 - LIMIT INLET PRESSURE TO NOT EXCEED MAXIMUM PUBLISHED OPERATING PRESSURE.

SERIES PWS30-2 DUPLEX ALTERNATING DIMENSION (INCHES) & SPECIFICATIONS

MODEL NO.	ORDERING CODES (EDP NO.)	MINERAL TANK SIZE	INLET	OUTLET	OVERALL HEIGHT (SEE NOTE 5)	OVERALL DEPTH	OVERALL WIDTH	MINIMUM INLET PIPE DISTANCE	BRINE TANK (SEE NOTE 9)	CONTROL VALVE INLET/OUTLET PIPE SIZE (NPT)	DRAIN CONN. SIZE (NPT)	SERVICE FLOW GPM @ 15 PSI DROP	PEAK SERVICE FLOW GPM @ 25 PSI DROP	DRAIN FLOW RATE (GPM)	MIN/MAX OPERATING TEMP F°	MIN/MAX OPERATING PRESSURE (PSI)	ESTIMATED OPERATING WEIGHT (LBS)	ESTIMATED SHIPPING WEIGHT (LBS)
PWS30151H21	700050	24 X 72	79.44	79.44	95.25	24.5	85	7.0	30 X 50	3.0	1.0	120	170	15	34/110	25/125	4826	2070
PWS30151I21	700051	30 X 72	81.44	81.44	96.75	30.13	100	9.5	39 X 48	3.0	1.5	158	212	25	34/110	25/125	7289	3000
PWS30151J21	700052	36 X 72	87.25	87.25	101	36.13	111	12.0	39 X 60	3.0	1.5	185	250	35	34/110	25/125	9773	4015
PWS30151K21	700053	42 X 72	95.25	95.25	108	44	126	14.5	42 X 60	3.0	2.0	200	268	50	34/110	25/125	13126	6245
PWS30151L21	700054	48 X 72	99.63	99.63	112.38	50.38	152	17.0	50 X 60	3.0	2.0	213	280	60	34/110	25/125	18141	8295

WATTS 815 CHESTNUT ST. NORTH ANDOVER, MA 01845

THIS DRAWING IS THE PROPERTY OF WATTS TECHNOLOGIES, INC. AND MAY NOT BE REPRODUCED OR TRANSMITTED IN ANY FORM OR BY ANY MEANS, ELECTRONIC OR MECHANICAL, INCLUDING PHOTOCOPYING, RECORDING, OR BY ANY INFORMATION STORAGE AND RETRIEVAL SYSTEM, WITHOUT THE PRIOR WRITTEN CONSENT OF WATTS TECHNOLOGIES, INC.

LIMITS UNLESS SPECIFIED: FRACTIONAL ANGULAR 1/16" 30° DECIMAL 1/16" 30° 3/32" 30° 1/8" 30° 1/4" 30° 3/8" 30° 1/2" 30° 5/8" 30° 3/4" 30° 7/8" 30° SURFACE FINISH UNLESS OTHERWISE SPECIFIED: 125 Ra

DO NOT SCALE DRAWING

TITLE: GENERAL INSTALLATION, SERIES PWS30-2 DUPLEX ALTERNATING 3" WATER SOFTENERS

PART NO.: SEE TABLE

MATERIAL: N/A

OTHER: ESTIMATED WEIGHT: SEE TABLE

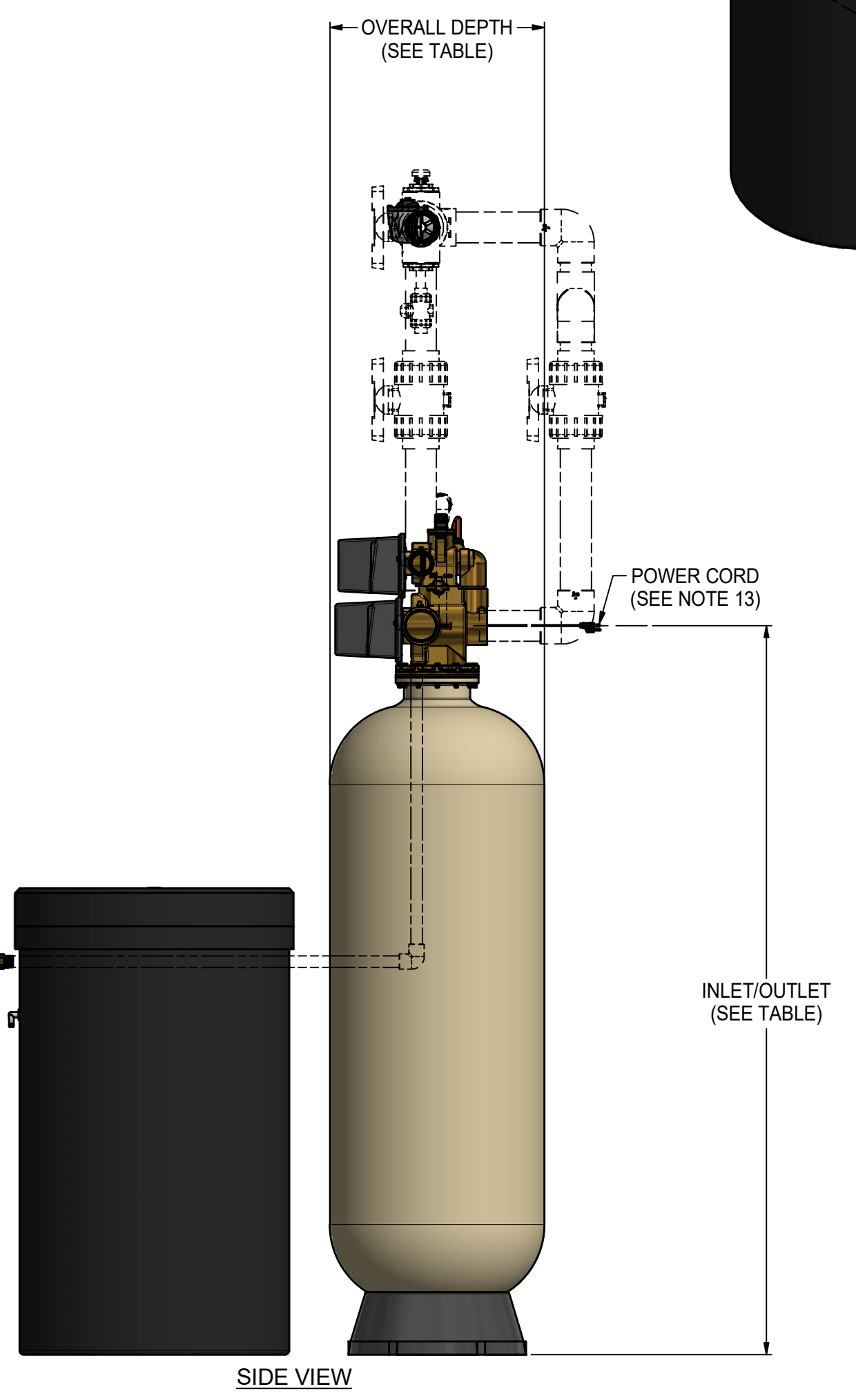
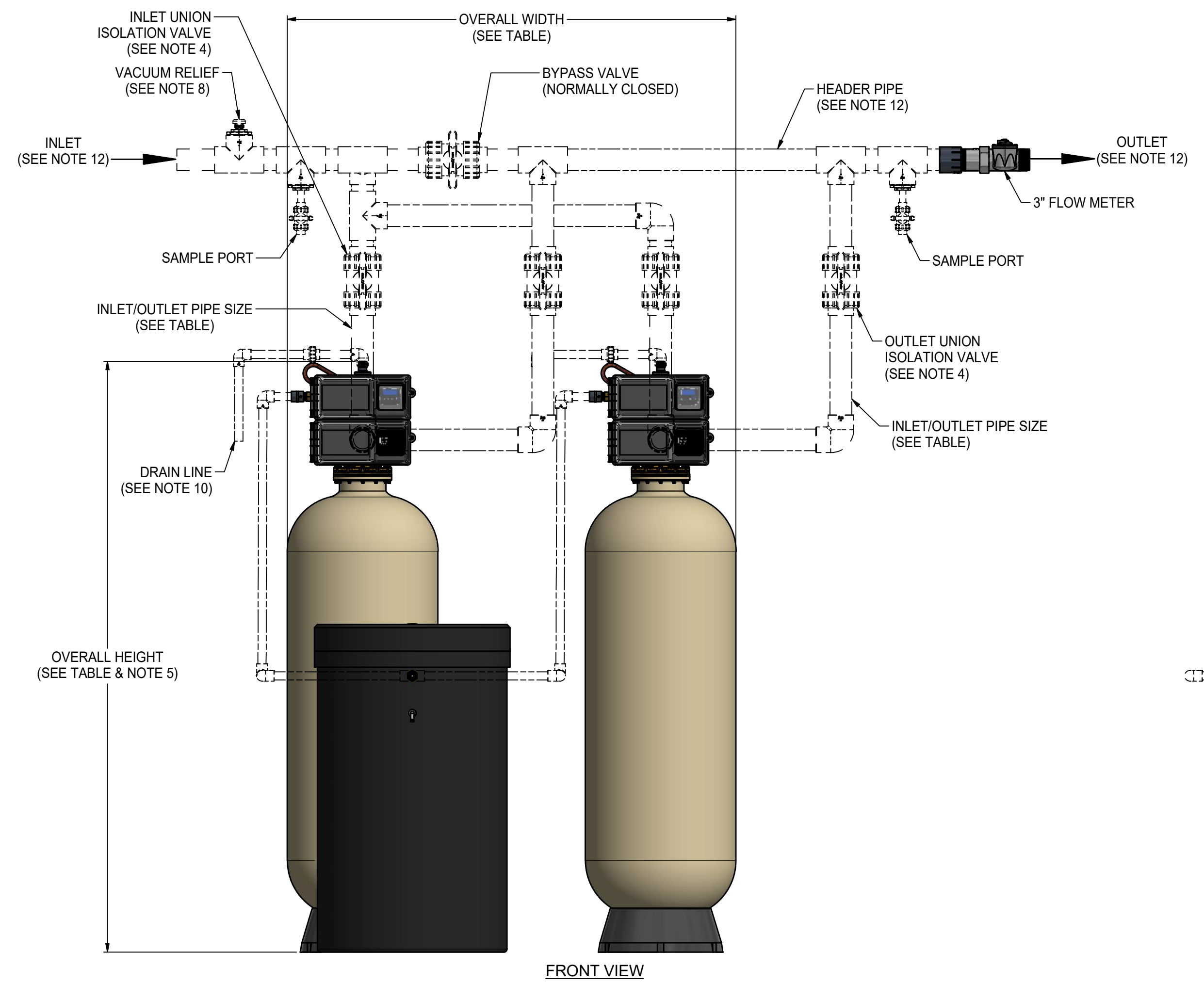
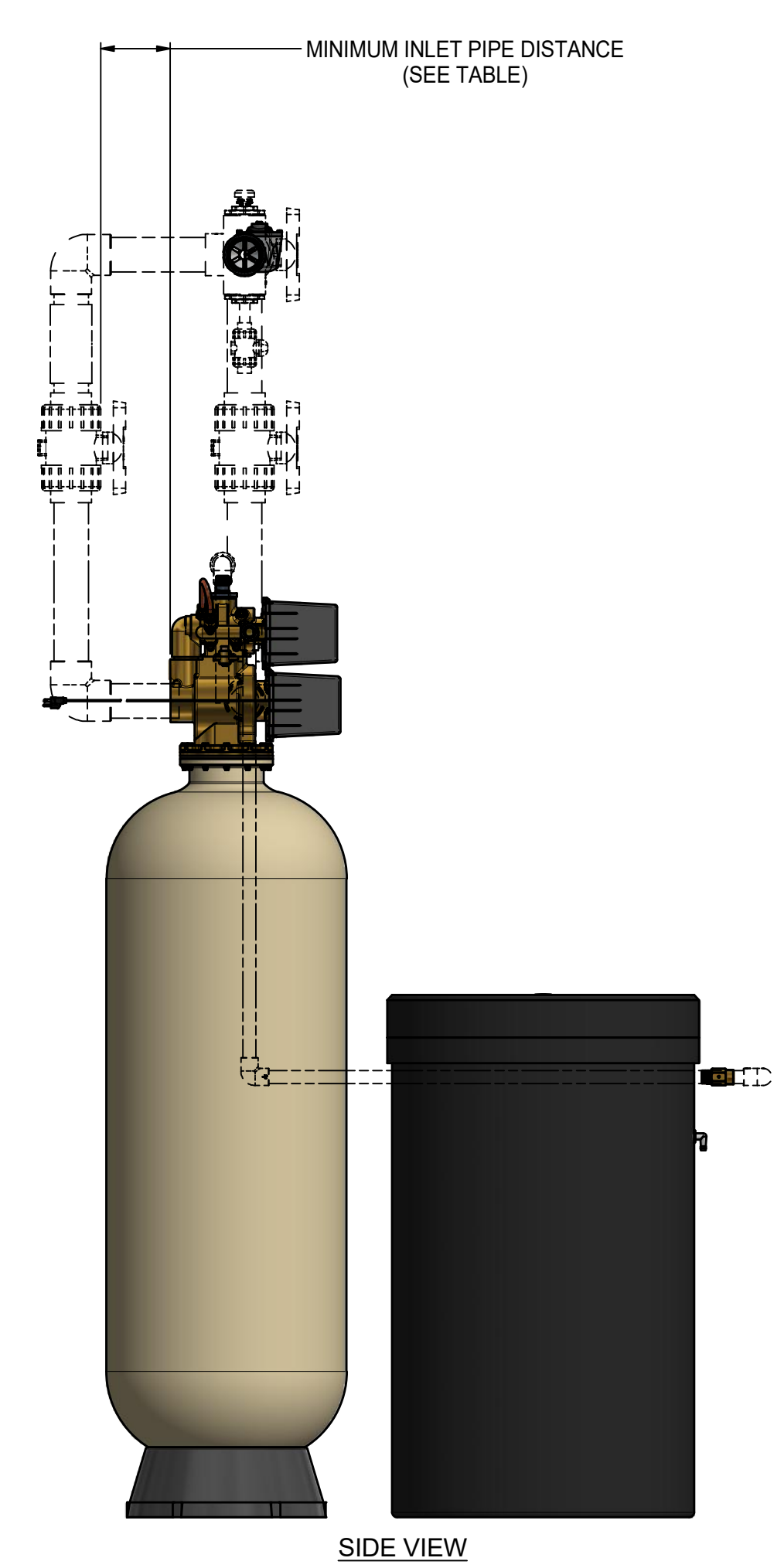
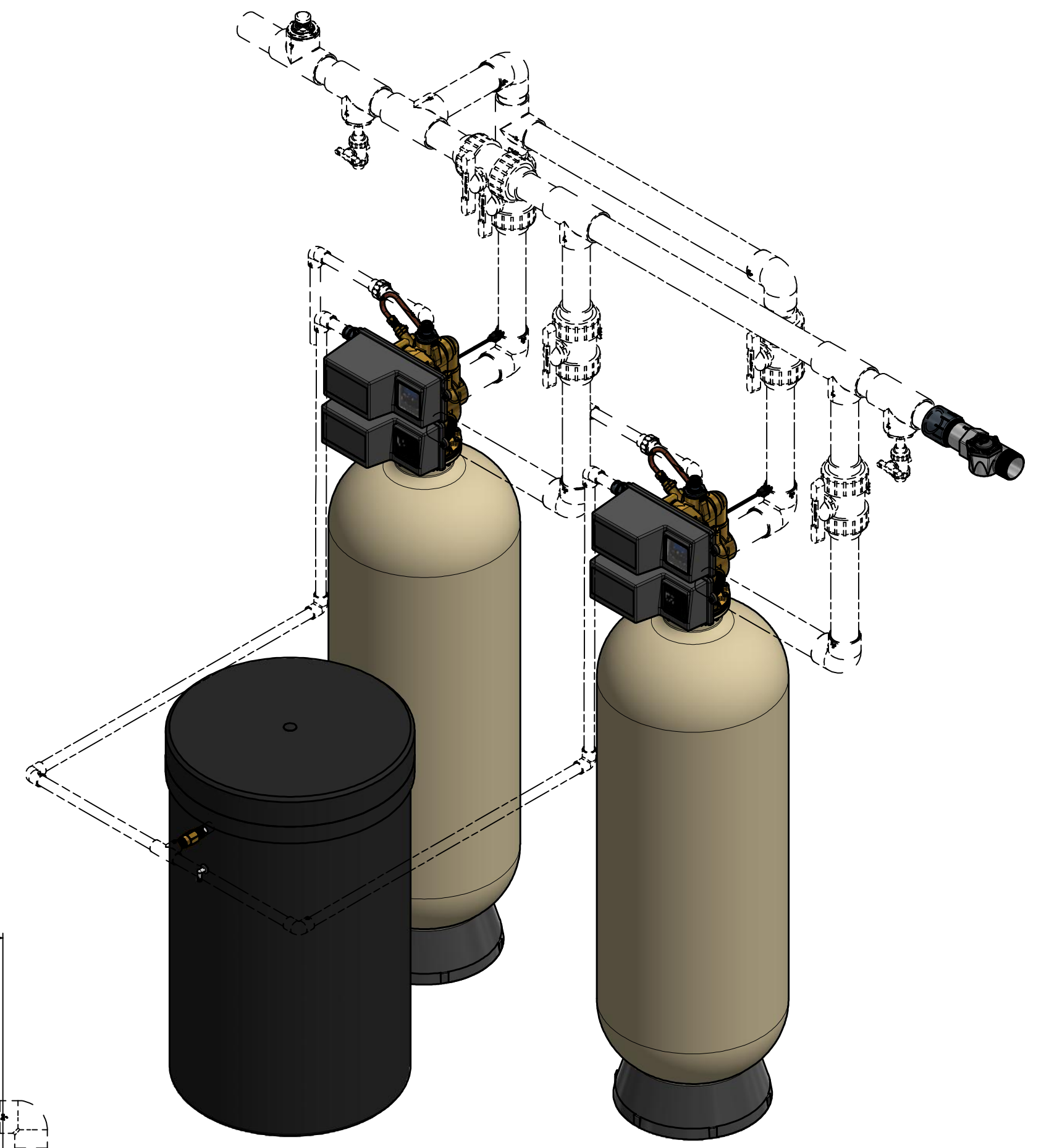
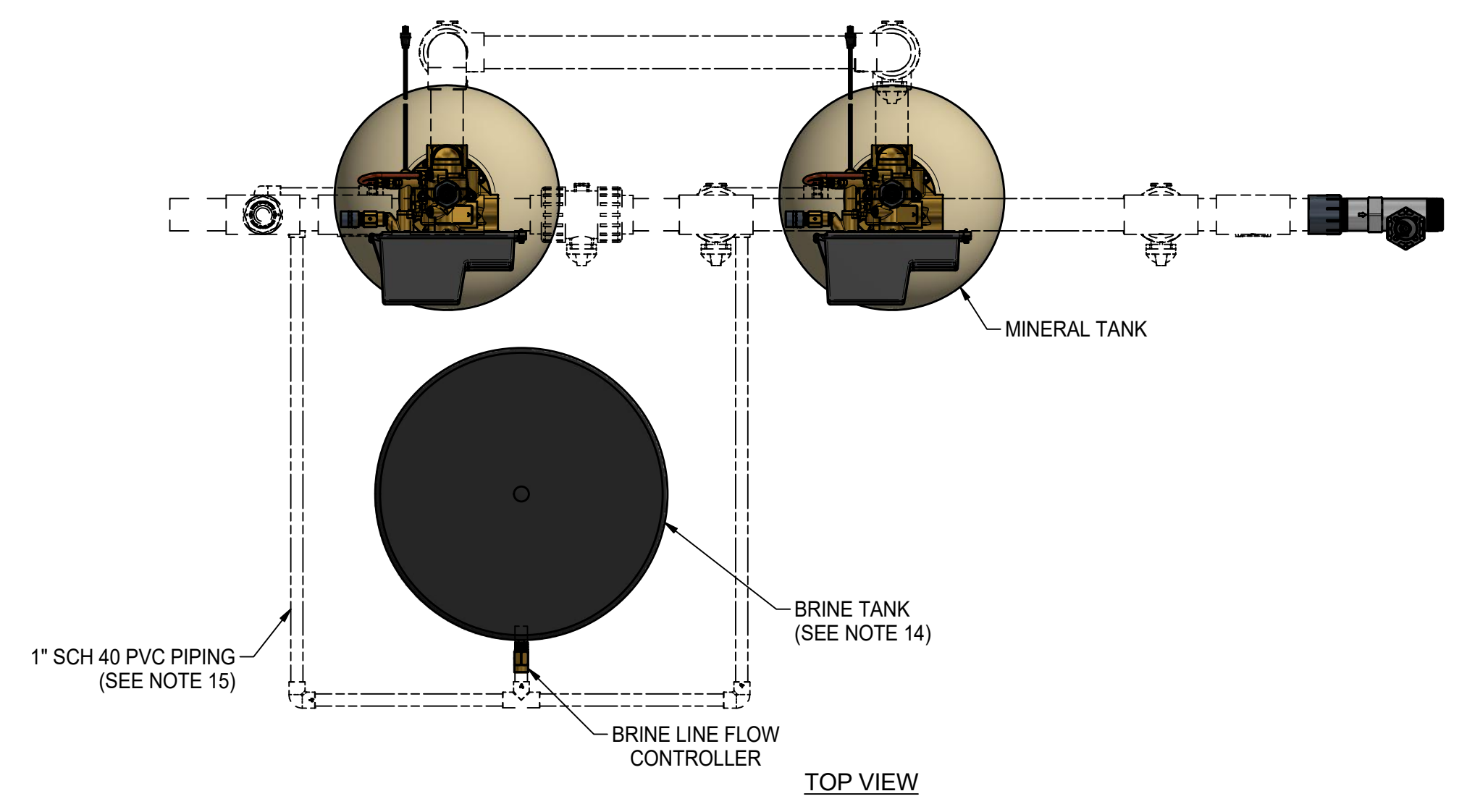
EDP NO.: SEE TABLE

FILE TYPE: CAD

SIZE: D

REV: 1

DWG BY: JR DATE: 2/2/2021 SCALE: NTS SHEET: 1 OF 1 SUPERSEDES: CHD BY: RL DATE: 2/2/2021



CLIENT PROJECT SIGN-OFF

JOB NAME:	
JOB LOCATION:	
CONTRACTOR:	
CONTRACTOR APPROVAL:	
CONTRACTOR APPROVAL DATE:	
CONTRACTOR PO NO:	
ENGINEER:	
ENGINEER APPROVAL:	
ENGINEER APPROVAL DATE:	