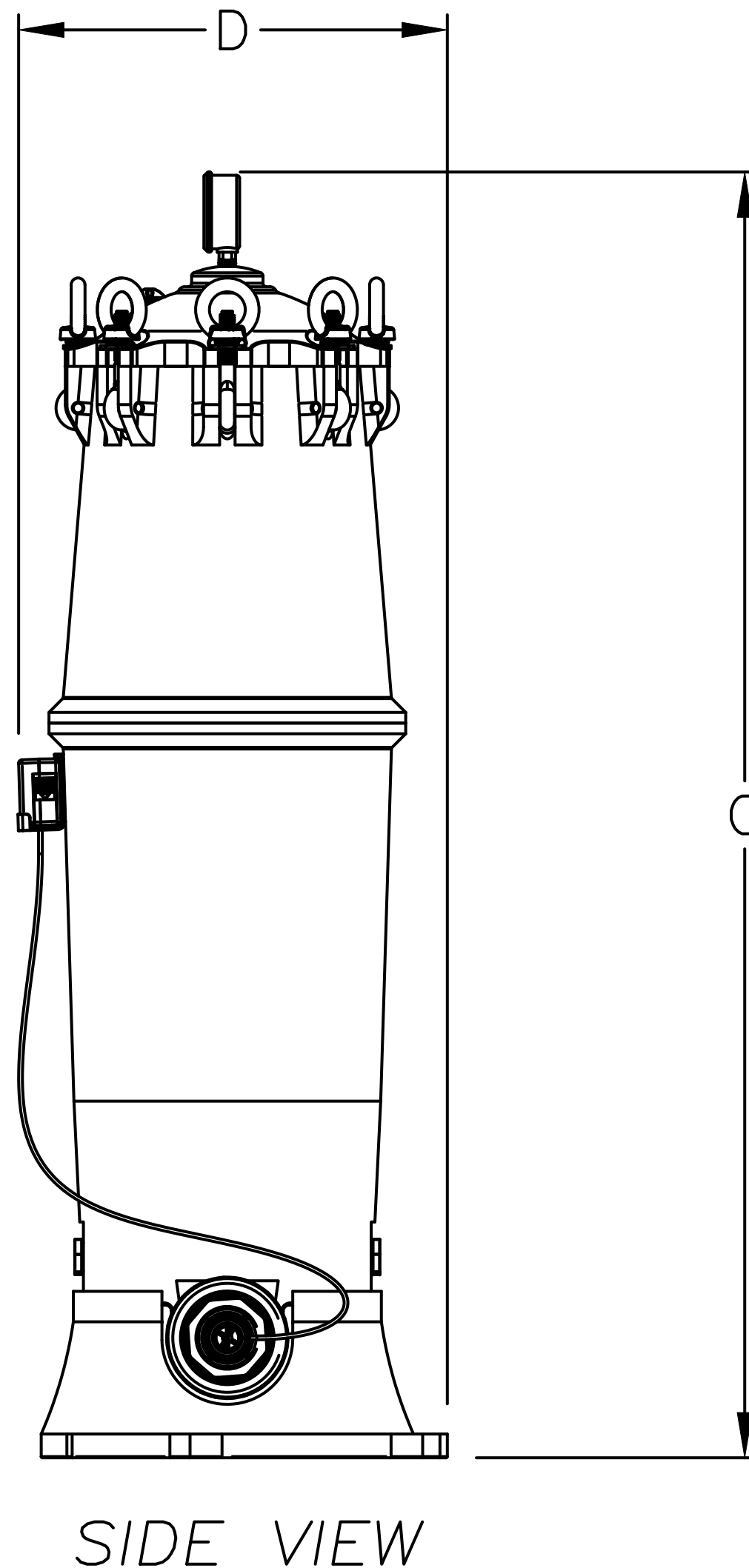
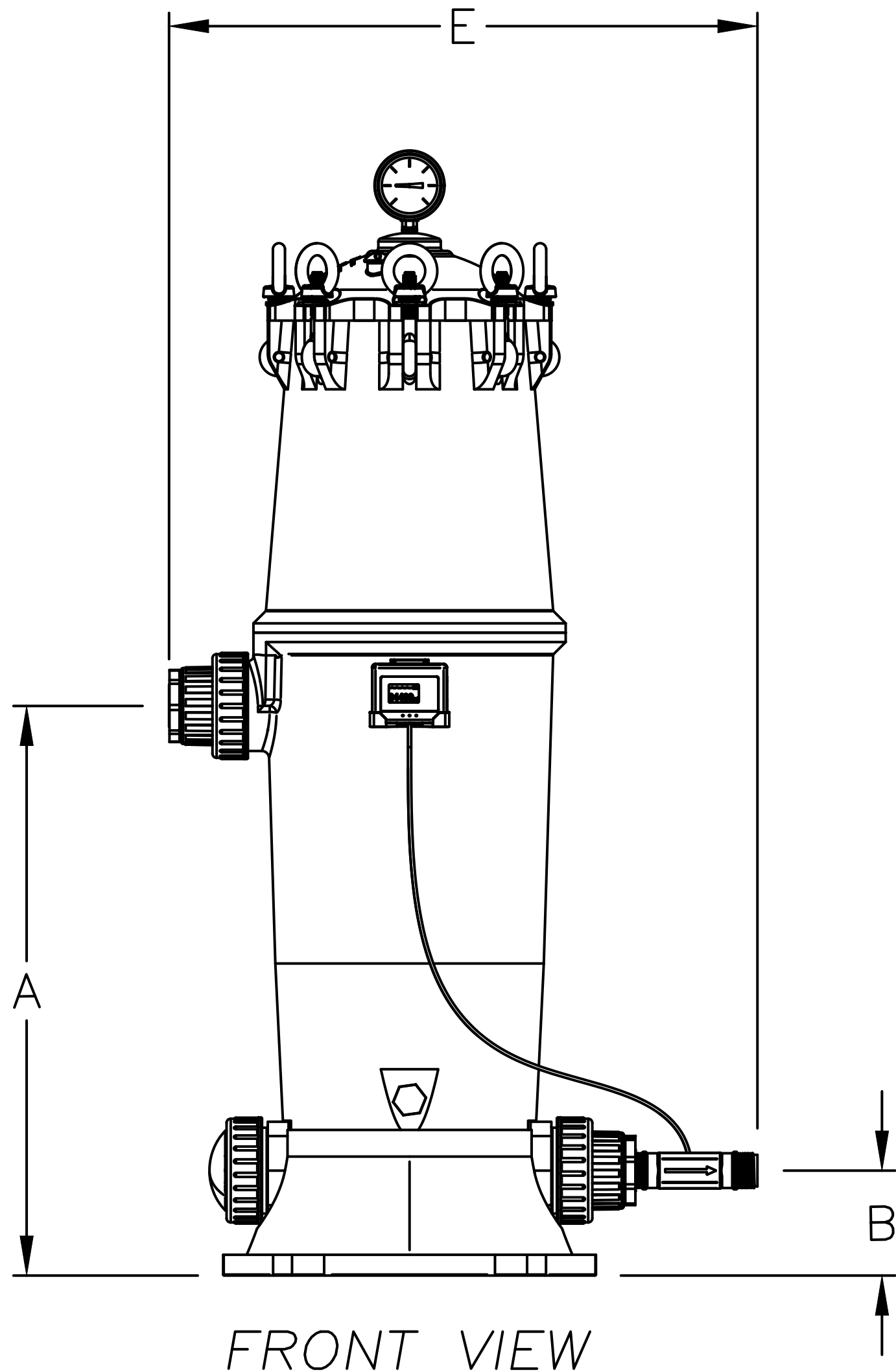


BIG BUBBA LEAD REDUCTION SYSTEM

MODEL NO.	ORDERING CODES	INLET (A)	OUTLET (B)	OVERALL HEIGHT (C)	OVERALL DEPTH (D)	OVERALL WIDTH (E)
BB-S100	7100976	21.6"	3.9"	42.6"	14.2"	22.3"



CONFIDENTIAL & PROPRIETARY

This Document including all information contained thereon is the exclusive and confidential property of Watts Water Technologies. This Document and its information are not to be copied, reproduced or delivered to others in whole or part without the expressed written consent and is loaned subject to return on demand. All rights to design and invention are reserved.



SERIES BB-S100

DRAWN BY:	D.CERRITENO
SCALE:	NOT TO SCALE
DATE:	2/19/2021
DWG No.	BB-S100