

For PEX Piping Systems

Job Name _____

Contractor _____

Job Location _____

Approval _____

Engineer _____

Contractor's P.O. No. _____

Approval _____

Representative _____

Series FBV-PEX

2-Piece, Full Port, Brass Ball Valves with PEX Ends

Sizes: 1/2" - 1" (15 - 25mm)

Series FBV-PEX 2-Piece, Full Port, Brass Ball Valve with PEX Ends are designed for use in PEX piping systems. Forged brass body and adapter manufactured per the ASTM F1807 standard. They feature brass PEX end tailpieces designed for easy crimping into a PEX piping system.

Features

- 2-piece, full port design
- UNS C37700 Forged brass body
- PEX end designed to ASTM F-1807
- Valve rated to 400 WOG
- Crimp connection rated to 160psi at 73°F (23°C)
- Designed specifically for use in PEX piping systems

Specification

Approved valve to be 2-piece, full port, UNS C37700 forged brass body, chrome plated brass ball, virgin PTFE seats and stem packing, and NBR stem O-ring. Ball valve rated to 400 WOG and PEX end must comply with ASTM F-1807 standard. Crimp joint rated at 160psi at 73°F (23°C). Valve shall be Watts Regulator Company Series FBV-PEX.

Pressure-Temperature

Ball Valve Rating: 400 WOG

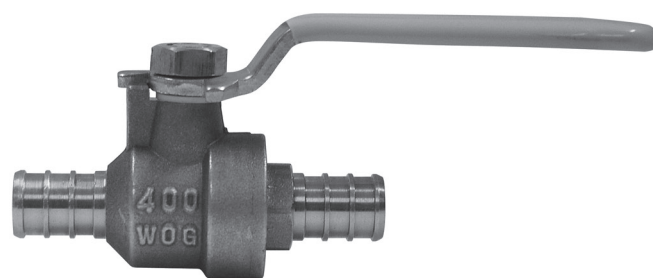
Crimp Connection Rating: 160psi at 73°F (23°C) (refer to PEX piping manufacturers guidelines)

Materials

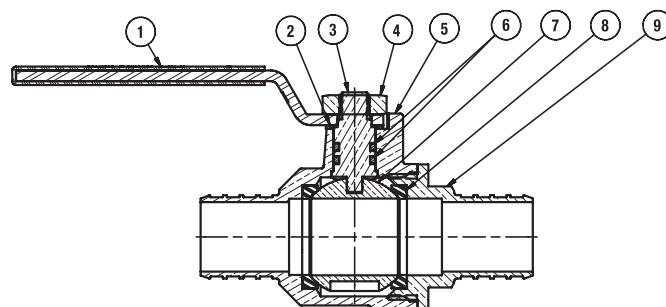
ITEM	QTY	DESCRIPTION	MATERIAL
1	1	Handle	Zinc-plated Steel w/Vinyl Handle Insulator
2	1	Stem Packing	PTFE
3	1	Stem	Forged brass
4	1	Handle Nut	Brass
5	1	Body	Forged brass, UNS C37700
6	2	Stem O-Ring	NBR
7	1	Ball	Chrome-Plated Forged brass
8	2	Seat	PTFE
9	1	Adapter	Forged brass, UNS C37700

Viton® is a registered trademark of DuPont Dow Elastomers.

Teflon® is a registered trademark of E.I. DuPont de Nemours & Company



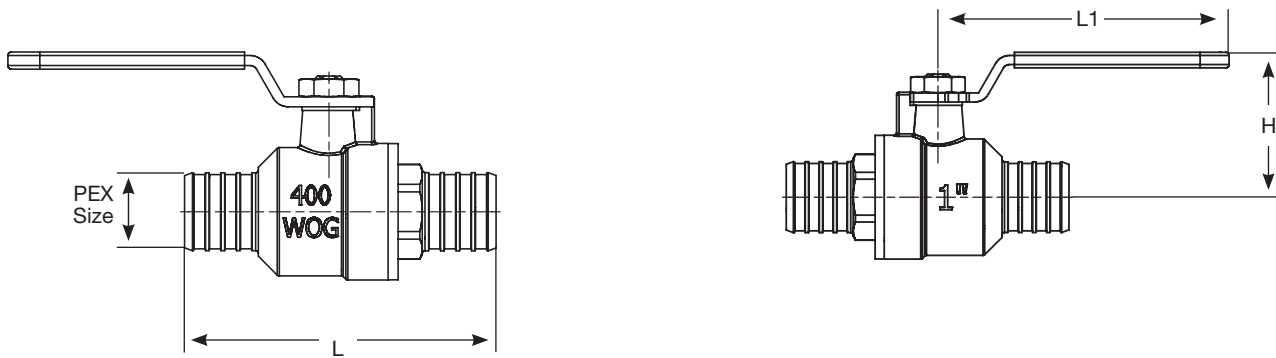
FBV-PEX



Watts product specifications in U.S. customary units and metric are approximate and are provided for reference only. For precise measurements, please contact Watts Technical Service. Watts reserves the right to change or modify product design, construction, specifications, or materials without prior notice and without incurring any obligation to make such changes and modifications on Watts products previously or subsequently sold.

WATTS®

Dimensions – Weights



SIZE (DN)		DIMENSIONS						WEIGHT	
		H		L		L ₁			
<i>in.</i>	<i>mm</i>	<i>in.</i>	<i>mm</i>	<i>in.</i>	<i>mm</i>	<i>in.</i>	<i>mm</i>	<i>lbs.</i>	<i>kgs.</i>
1/2	15	1 5/8	35	2 9/16	65	3	76	0.3	0.12
3/4	20	1 1/2	38	2 3/4	70	3	76	0.4	0.18
1	25	1 3/4	45	3 7/16	87	3 5/8	91	0.6	0.29

WATTS®

Water Safety & Flow Control Products



**ISO 9001-2000
CERTIFIED**

USA: 815 Chestnut St., No. Andover, MA 01845-6098; www.watts.com

Canada: 5435 North Service Rd., Burlington, ONT. L7L 5H7; www.wattscanada.ca