

For Commercial and Industrial Applications

Job Name _____

Contractor _____

Job Location _____

Approval _____

Engineer _____

Contractor's P.O. No. _____

Approval _____

Representative _____

Series FBV-3C-SS, FBVS-3C-SS

2-Piece, Full Port, Brass Ball Valves

Sizes: 1/2" – 2" (15-50mm)

Series FBV-3C-SS, FBVS-3C-SS 2-Piece, Full Port, Brass Ball Valves are used in commercial and industrial applications for a full range of liquids and gases. They feature a bottom-loaded blowout-proof stem, virgin PTFE seats, thrust washer, and adjustable stem packing gland, stem packing nut, 304 stainless steel ball, brass adapter, and steel handle.

Features

- 304 stainless steel ball and stem
- Suitable for a full range of liquids and gases
- Minimal pressure drop due to full size ports
- Bottom loaded, blow-out proof stem
- Virgin PTFE stem packing seal, thrust washer and seats
- Vinyl insulator on heavy duty, zinc plated carbon steel handles
- Quarter-turn open or close operation
- Excellent for throttling and balancing applications of nonabrasive fluids where minimum flow is 20% to 100% of valve capacity
- Low operating torque
- Adjustable stem packing gland

Models

FBV-3C-SS 1/2" – 2" (15-50mm) with threaded connections

FBVS-3C-SS 1/2" – 2" (15-50mm) with solder connections*

Pressure – Temperature

Temperature Range: -40° F – 400° F (-40° C – 204° C)

Pressure Ratings:

600psi (41 bars) WOG non-shock

150psi (10.3 bars) WSP

Approvals

FBV-3C-SS UL/FM Approved

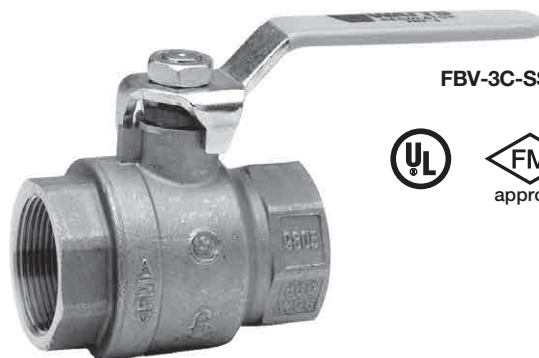
FBVS-3C-SS UL Listed

Valves comply with MSS-SP-110 standards



*This valve is designed to be soft soldered into lines without disassembly, using a low temperature solder to 420°F (216°C). Higher temperature solders may damage the seat material. Apply heat with the flame directed AWAY from the center of the valve body. Excessive heat can harm the seats. After soldering, the packing nut may have to be tightened.

Watts product specifications in U.S. customary units and metric are approximate and are provided for reference only. For precise measurements, please contact Watts Technical Service. Watts reserves the right to change or modify product design, construction, specifications, or materials without prior notice and without incurring any obligation to make such changes and modifications on Watts products previously or subsequently sold.



FBV-3C-SS



FBVS-3C-SS*



Gas Approvals (Threaded Valves Only)

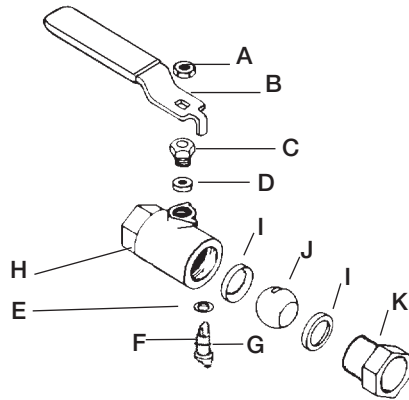
ASME B16.33, CSA 
 1/2psig and 5psig (14 and 34 kPa) @ -40° F – 125° F (-40° C - 52° C)
 125psig (8 bars) @ -40° F – 400° F (-40° C - 204° C)

Specifications

Approved valves shall be 2-piece and constructed of forged brass body and end adapter. Ball shall be full port, 304 stainless steel. Seats and stem packing shall be virgin PTFE. Stem shall be 304 stainless steel with adjustable stem packing nut threaded to body to prevent stem leakage if lever removed. Valves shall be rated to 600psi WOG (41 bars) and 150psi WSP (10.3 bars), and comply with MSS-SP-110, CSA, ANSI B16.33 or B16.38 where applicable. Valve shall be a Watts Regulator Company Series FBV-3C-SS (threaded) or FBVS-3C-SS (solder).

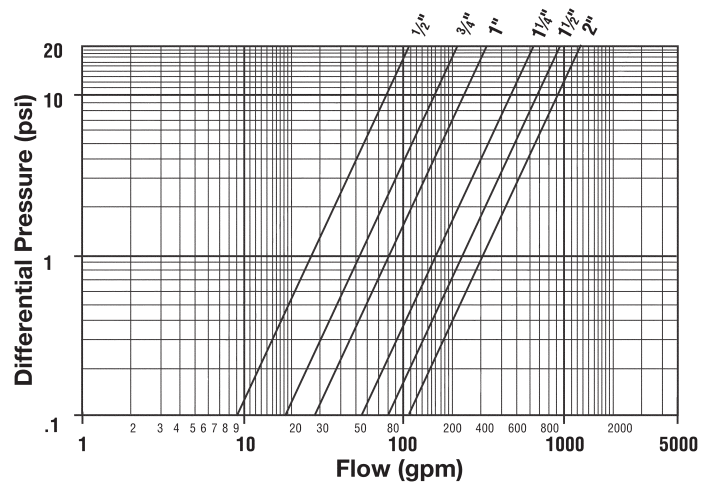


Materials

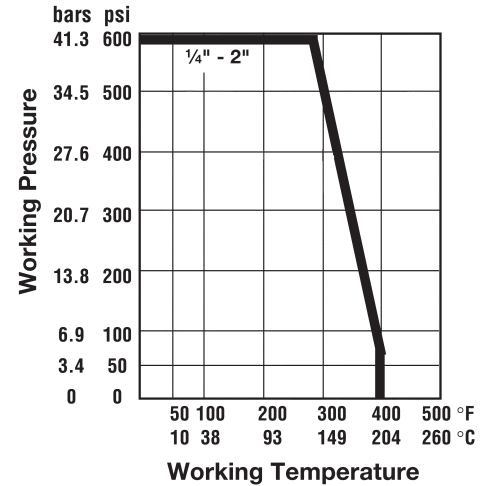


- A. Handle Nut - Zinc plated carbon steel
- B. Handle - Zinc plated carbon steel with vinyl insulator
- C. Packing Nut - Brass
- D. Stem Packing - Virgin PTFE
- E. Thrust Washer - Virgin PTFE
- F. Stem - 304 stainless steel
- G. O-ring - Fluorocarbon elastomer (FKM)
- H. Body - Forged brass
- I. Seats - Virgin PTFE
- J. Ball - 304 stainless steel
- K. Adaptor - Forged brass

Flow Curves

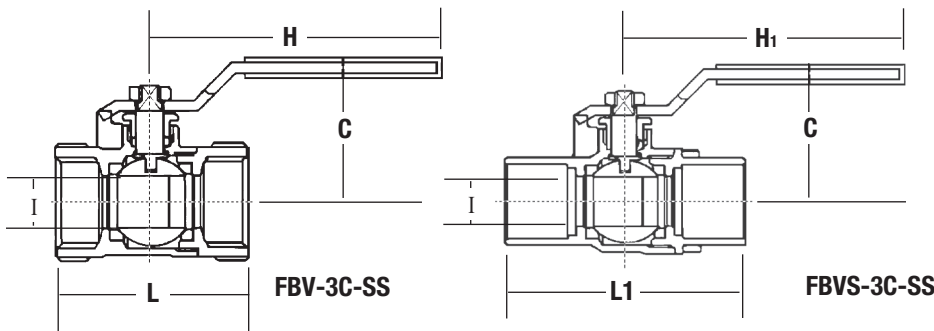


Temperature/Pressure Rating



*See applicable note on reverse side for solder end valves with regards to pressure/temperature rating.

Dimensions-Weights



SIZE (DN)		DIMENSIONS								WEIGHT					
in.	mm	C		H		H ₁		L		L ₁		lbs.	kg.		
		in.	mm	in.	mm	in.	mm	in.	mm	in.	mm				
1/2	15	1 ¹⁵ / ₁₆	50	3 ⁷ / ₈	91	3 ⁷ / ₈	91	1 ⁹ / ₃₂	12.5	2 ³ / ₈	60	2 ¹ / ₈	53	.5	.2
3/4	20	2 ¹ / ₁₆	52	4 ¹ / ₂	114	4 ¹ / ₂	114	1 ³ / ₁₆	20.0	2 ¹ / ₁₆	68	2 ¹³ / ₁₆	72	.8	.3
1	25	2 ⁷ / ₁₆	62	4 ¹⁵ / ₁₆	125	4 ¹⁵ / ₁₆	125	1	25.0	3 ¹ / ₈	80	3 ³ / ₈	86	1.4	.6
1 1/4	32	2 ⁵ / ₈	66	4 ¹⁵ / ₁₆	125	4 ¹⁵ / ₁₆	125	1 1/4	31.0	3 ¹¹ / ₁₆	90	3 ⁷ / ₈	98	2.0	.9
1 1/2	40	2 ¹⁵ / ₁₆	75	5 ¹ / ₂	140	5 ¹ / ₂	140	1 1/2	39.0	3 ⁷ / ₈	99	4 ³ / ₈	112	2.6	1.2
2	50	3 ¹ / ₈	80	7 ⁷ / ₈	200	7 ⁷ / ₈	200	2	50.0	4 ⁷ / ₁₆	113	5 ⁵ / ₁₆	135	4.0	1.8

⚠ WARNING

It is illegal to use this product in any plumbing system providing water for human consumption, such as drinking or dishwashing, in the United States. Before installing standard material product, consult your local water authority, building and plumbing codes.



A Watts Water Technologies Company

USA: Tel: (978) 689-6066 • Fax: (978) 975-8350 • Watts.com

Canada: Tel: (905) 332-4090 • Fax: (905) 332-7068 • Watts.com

Latin America: Tel: (52) 81-1001-8600 • Fax: (52) 81-8000-7091 • Watts.com