

For Liquid and Steam Service

Job Name _____
 Job Location _____
 Engineer _____
 Approval _____

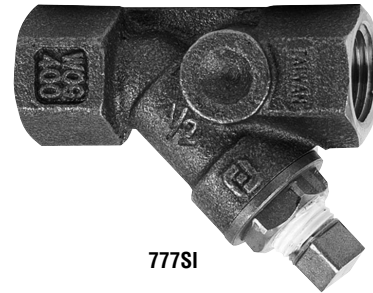
Contractor _____
 Approval _____
 Contractor's P.O. No. _____
 Representative _____

Series 777SI, S777SI

Wye-Pattern, Bronze Strainers

Sizes: 3/8" – 3" (10-75mm)

Series 777SI, S777SI Wye-Pattern, Bronze Strainers are designed to protect plumbing system components from dirt, rust and other damaging debris. This series features a tapped retainer cap and closure plug.



Features

- Bronze body
- Wye-pattern
- Tapped retainer cap
- Closure plug
- Special flared screen opening on upstream end to provide unrestricted flow through the strainer

Models

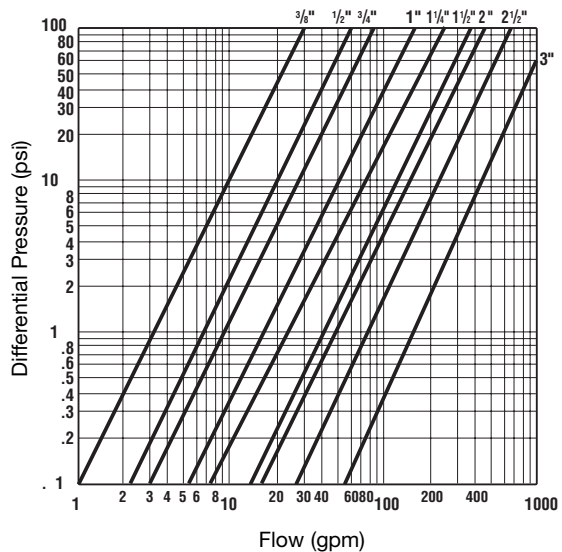
777SI – 3/8" – 3" (10 – 80mm) threaded connections
 S777SI – 1/2" – 2" (15 – 50mm) solder connections†

Specifications

A wye-pattern, bronze strainer to be installed as indicated on the plans. The strainer must have a tapped retainer cap and closure plug. Strainer shall be rated to 400psi (27.6 bar) WOG; 125psi (8.6 bar) WSP for sizes 3/8"-2" (10-50mm) and 300psi (20.7 bar) @ 210°F (99°C); 125psi (8.6 bar) WSP @ 353°F (178°C) for sizes 2 1/2"-3" (65-80mm). Strainer shall be a Watts Regulator Company Series 777SI (threaded ends) or S777SI (solder ends).

Materials

Body:	Bronze
Retainer Cap:	Brass
Plug	Bronze
Gasket:	NBR
Standard Screen:	#20 mesh, 304 stainless steel

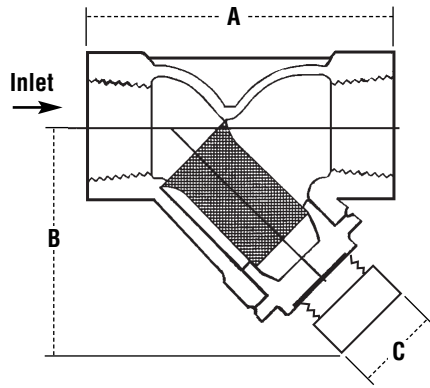


Flow curves show flows (gpm) and pressure drop (psig) through Watts Series 777SI, S777SI using standard 20 mesh screen.



Watts product specifications in U.S. customary units and metric are approximate and are provided for reference only. For precise measurements, please contact Watts Technical Service. Watts reserves the right to change or modify product design, construction, specifications, or materials without prior notice and without incurring any obligation to make such changes and modifications on Watts products previously or subsequently sold.

Dimensions



777SI

SIZE (DN)		DIMENSIONS						WEIGHT	
<i>in.</i>	<i>mm</i>	A		B		C		<i>lbs.</i>	<i>kgs.</i>
		<i>in.</i>	<i>mm</i>	<i>in.</i>	<i>mm</i>	<i>in.</i>	<i>mm</i>		
3/8	10	2 3/8	60	1 5/16	33	1/4	6	0.4	0.18
1/2	15	2 3/4	70	1 3/8	35	1/4	6	0.5	0.23
3/4	20	3 3/16	81	1 5/8	42	1/4	6	0.6	0.27
1	25	3 3/4	95	2 1/8	54	1/2	13	1.1	0.50
1 1/4	32	4 7/16	113	2 1/2	64	1/2	13	1.9	0.86
1 1/2	40	4 7/8	124	3	76	3/4	19	2.4	1.09
2	50	5 15/16	151	3 3/16	91	1	25	4.4	2.00
2 1/2	65	9 1/16	230	5 7/8	149	1/2	13	9.8	4.44
3	80	10 3/16	259	6 1/4	159	1/2	13	13.2	5.99

S777SI

SIZE (DN)		DIMENSIONS						WEIGHT	
<i>in.</i>	<i>mm</i>	A		B		C		<i>lbs.</i>	<i>kgs.</i>
		<i>in.</i>	<i>mm</i>	<i>in.</i>	<i>mm</i>	<i>in.</i>	<i>mm</i>		
1/2	15	2 3/4	70	1 3/8	35	1/4	6	0.4	0.18
3/4	20	3 3/8	86	1 5/8	42	1/4	6	0.6	0.27
1	25	3 3/4	95	2 1/8	54	1/2	13	0.9	0.41
1 1/4	32	4 9/16	116	2 1/2	64	1/2	13	1.5	0.68
1 1/2	40	5 5/16	135	3	76	3/4	19	1.9	0.86
2	50	6 1/8	156	3 9/16	91	1	25	3.3	1.50

WATTS®

Water Safety & Flow Control Products

ISO 9001
CERTIFIED