

For Liquid and Steam Service

Job Name _____

Contractor _____

Job Location _____

Approval _____

Engineer _____

Contractor's P.O. No. _____

Approval _____

Representative _____

Series 777S, S777S

Wye-Pattern Bronze Strainers

Sizes: 1/2" – 4"

Series 777S, S777S Wye-Pattern Bronze Strainers are designed to protect system components from dirt, rust and other damaging debris in the piping system. This series features a retainer cap tapped for closure plug.

Features

- Bronze body
- Wye-pattern
- Retainer cap tapped for closure plug

Models

777S – 1/2" – 4" threaded connections

S777S – 1/2" – 2" solder connections

Specifications

A wye-pattern bronze strainer to be installed as indicated on the plans. The strainer must have retainer cap tapped for closure plug. Strainer shall be rated to 400psi (27.6 bar) WOG @ 210°F (99°C); 125psi (8.6 bar) WSP @ 353°F (178°F) for sizes 1/2" – 3" and 300psi (20.7 bar) WOG @ 210°F (99°C); 125psi (8.6 bar) @ 353°F (178°C) for size 4". Strainer shall be a Watts Series 777S (threaded ends) or S777S (solder ends).

Materials

Body: Bronze

Retainer Cap: 1/2" : Brass
3/4" – 4": Bronze

Cap Gasket: 1/2" – 2": EPDM
Other sizes consult factory

Standard Screen: 1/2" – 2 1/2": 304 stainless steel #20 mesh,
3": 3/64" 304 stainless steel perforated screen
4": 1/8" 304 stainless steel perforated screen



777S



S777S

Please refer to watts.com for BAA information on specific models.

Pressure – Temperature

Maximum Working Pressure:

1/2" – 3"

400psi (27.6 bar) WOG @ 210°F (99°C)

125psi (8.6 bar) WSP @ 353°F (178°F)

4"

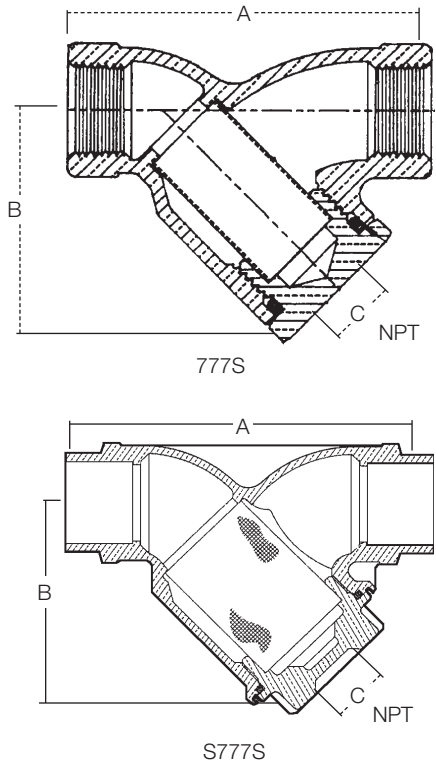
300psi (20.7 bar) WOG @ 210°F (99°C)

125psi (8.6 bar) WSP @ 353°F (178°F)

NOTICE

The information contained herein is not intended to replace the full product installation and safety information available or the experience of a trained product installer. You are required to thoroughly read all installation instructions and product safety information before beginning the installation of this product.

Dimensions –Weights



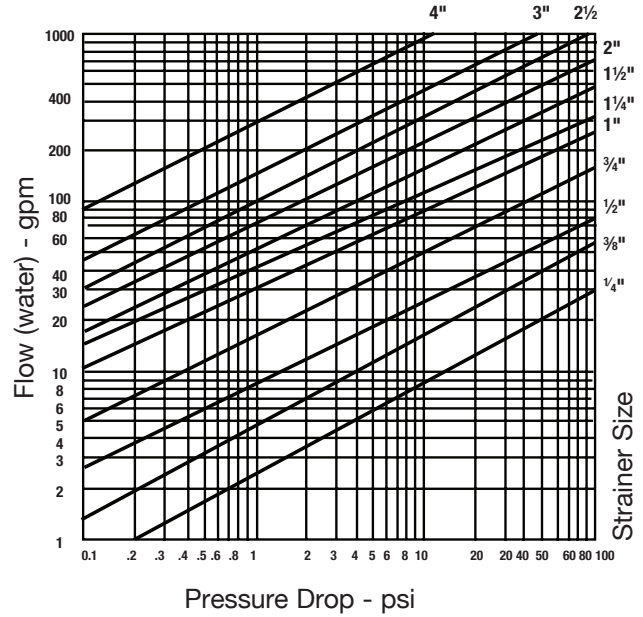
Screen Options

304 Stainless Steel Wire Mesh Liners: (#30, #40, #60, #80, #100)

304 Stainless Steel Perforated Screens: ($1/32$ " , $3/64$ " , $1/16$ " , $1/8$ " , $3/16$ " , $1/4$ ")

Consult factory for ordering codes

Performance Data



777S

SIZE	DIMENSIONS						WEIGHT	
	A		B		C (NPT)		lbs.	kgs.
in.	in.	mm	in.	mm	in.	mm		
1/4	2 1/16	68	1 1/16	43	3/8	10	1.7	0.77
3/8	2 1/16	68	1 1/16	43	3/8	10	1.7	0.77
1/2	3	76	2	51	3/8	10	1.7	0.77
3/4	3 5/16	84	2 5/16	59	1/2	15	1.7	0.77
1	4 1/2	114	2 5/16	59	3/4	20	2.7	1.22
1 1/4	5 1/8	130	3 1/8	79	3/4	20	3.0	1.36
1 1/2	5 7/8	149	3 3/4	95	1	25	4.0	1.81
2	6 9/16	157	4 7/8	124	1 1/4	32	7.4	3.36
2 1/2	8 1/8	206	4 15/16	125	1 1/4	32	12.0	5.44
3	10 1/8	257	6 1/16	170	1 1/2	40	24.0	10.90
4	13	325	10 1/2	267	1 1/2	40	41.0	18.60

S777S

SIZE	DIMENSIONS						WEIGHT	
	A		B		C (NPT)		lbs.	kgs.
in.	in.	mm	in.	mm	in.	mm		
1/2	3 3/8	86	2 1/16	52	3/8	10	1.5	0.68
3/4	3 3/4	95	2 9/16	65	1/2	15	1.6	0.73
1	5	127	3	76	3/4	20	2.5	1.13
1 1/4	5 5/8	143	3 1/4	82	3/4	20	2.8	1.25
1 1/2	6 7/16	164	3 13/16	97	1	25	4.0	1.81
2	7 1/2	191	4 5/8	118	1 1/4	32	7.4	3.39



USA: T: (978) 689-6066 • F: (978) 975-8350 • Watts.com

Canada: T: (888) 208-8927 • F: (888) 479-2887 • Watts.ca

Latin America: T: (52) 55-4122-0138 • Watts.com