

For Liquid and Steam Service

Job Name _____

Contractor _____

Job Location _____

Approval _____

Engineer _____

Contractor's P.O. No. _____

Approval _____

Representative _____

Series 777, S777 Wye-Pattern Bronze Strainers

Sizes: 1/4" – 4"

Series 777, S777 Wye-Pattern Bronze Strainers are designed to protect system components from dirt, rust and other damaging debris in the piping system. This series features a solid retainer cap with gasket.

Features

- Bronze body
- Wye-pattern
- Solid retainer cap with gasket

Models

777 – 1/4" – 4" threaded connections

S777 – 1/2" – 2" solder connections

Specifications

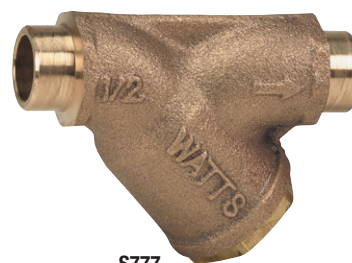
A wye-pattern bronze strainer to be installed as indicated on the plans. The strainer must have a solid retainer cap with gasket. Strainer shall be rated to 400psi (27.6 bar) WOG @ 210°F (99°C); 125psi (8.6 bar) WSP @ 353°F (178°F) for sizes 1/4" – 3" (8 – 75mm) and 300psi (20.7 bar) WOG @ 210°F (99°C); 125psi (8.6 bar) @ 353°F (178°C) for size 4". Strainer shall be a Watts Series 777 (threaded ends) or S777 (solder ends).

Materials

Body:	Bronze
Retainer Cap:	1/4" – 1/2" : Brass 3/4" – 4" : Bronze
Cap Gasket:	1/2" – 2" : EPDM Other sizes consult factory
Standard Screen:	1/2" – 2 1/2" : 304 stainless steel #20 mesh, 3" (75mm): 3/64" (1.2mm) 304 stainless steel perforated screen 4" (100mm): 1/8" (3mm) 304 stainless steel perforated screen



777



S777

Please refer to watts.com for BAA information on specific models.

Pressure – Temperature

Maximum Working Pressure:

1/4" – 3"

400psi (27.6 bar) WOG @ 210°F (99°C)

125psi (8.6 bar) WSP @ 353°F (178°F)

4"

300psi (20.7 bar) WOG @ 210°F (99°C)

125psi (8.6 bar) WSP @ 353°F (178°F)

NOTICE

The information contained herein is not intended to replace the full product installation and safety information available or the experience of a trained product installer. You are required to thoroughly read all installation instructions and product safety information before beginning the installation of this product.

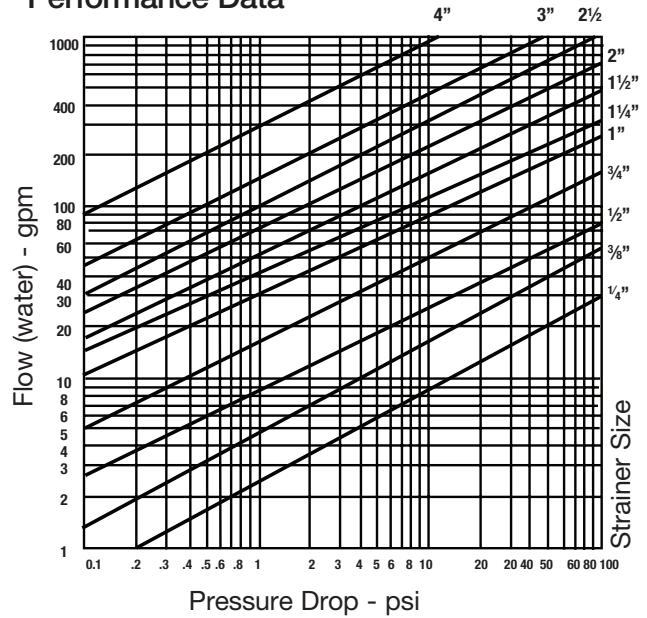
Screen Options

304 Stainless Steel Wire Mesh Liners:
 (#30, #40, #60, #80, #100)

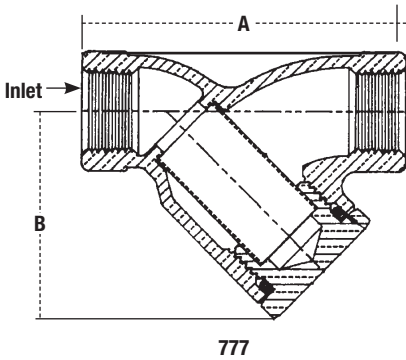
304 Stainless Steel Perforated Screens:
 (1/32", 3/64", 1/16", 1/8", 3/16", 1/4")

Consult factory for ordering codes

Performance Data



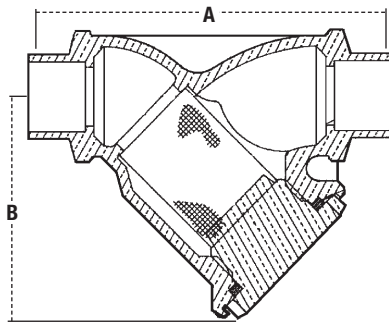
Dimensions – Weights



777

777

SIZE	DIMENSIONS				WEIGHT	
	A		B		lbs.	kgs.
<i>in.</i>	<i>in.</i>	<i>mm</i>	<i>in.</i>	<i>mm</i>		
1/4	2 ¹¹ / ₁₆	68	1 ¹¹ / ₁₆	43	1.7	0.77
3/8	2 ¹¹ / ₁₆	68	1 ¹¹ / ₁₆	43	1.7	0.77
1/2	3	76	2	51	1.7	0.77
3/4	3 ⁵ / ₁₆	84	2 ⁵ / ₁₆	59	1.7	0.77
1	4 ¹ / ₂	114	2 ⁵ / ₁₆	59	2.7	1.22
1 ¹ / ₄	5 ⁵ / ₈	130	3 ¹ / ₈	79	3.0	1.36
1 ¹ / ₂	5 ⁵ / ₈	149	3 ³ / ₄	95	4.0	1.81
2	6 ³ / ₁₆	157	4 ⁷ / ₈	124	7.4	3.36
2 ¹ / ₂	8 ¹ / ₈	206	4 ¹⁵ / ₁₆	125	12.0	5.44
3	10 ¹ / ₈	257	6 ¹¹ / ₁₆	170	24.0	10.90
4	13	325	10 ¹ / ₂	267	41.0	18.60



S777

S777

SIZE	DIMENSIONS				WEIGHT	
	A		B		lbs.	kgs.
<i>in.</i>	<i>in.</i>	<i>mm</i>	<i>in.</i>	<i>mm</i>		
1/2	3 ³ / ₈	86	2 ¹ / ₁₆	52	1.5	0.68
3/4	3 ³ / ₄	95	2 ⁷ / ₁₆	63	1.6	0.73
1	5	127	3	76	2.5	1.13
1 ¹ / ₄	5 ⁵ / ₈	143	3 ¹ / ₄	82	2.8	1.25
1 ¹ / ₂	6 ⁷ / ₁₆	164	3 ¹³ / ₁₆	97	4.0	1.81
2	7 ¹ / ₂	191	4 ⁵ / ₈	118	7.4	3.39



USA: T: (978) 689-6066 • F: (978) 975-8350 • Watts.com
 Canada: T: (888) 208-8927 • F: (888) 479-2887 • Watts.ca
 Latin America: T: (52) 55-4122-0138 • Watts.com