

Job Name _____
 Job Location _____
 Engineer _____
 Approval _____

Contractor _____
 Approval _____
 Contractor's P.O. No. _____
 Representative _____

Series 152SS

Process Regulators

Sizes: 1/2", 3/4" and 1"

This design offers highly sensitive response to reduced pressure changes and maintains fullest possible volume without appreciable reduced pressure drop. They are used successfully on applications such as oil lines, testing fixtures, autoclaves, steam tables, steam irons, single radiators, vulcanizers, sterilizers, and process lines.

An exclusive, feature which has been added at no extra cost is a "sensitivity adjuster" which eliminates any vibrating condition which may arise from critical flow requirements.

Features

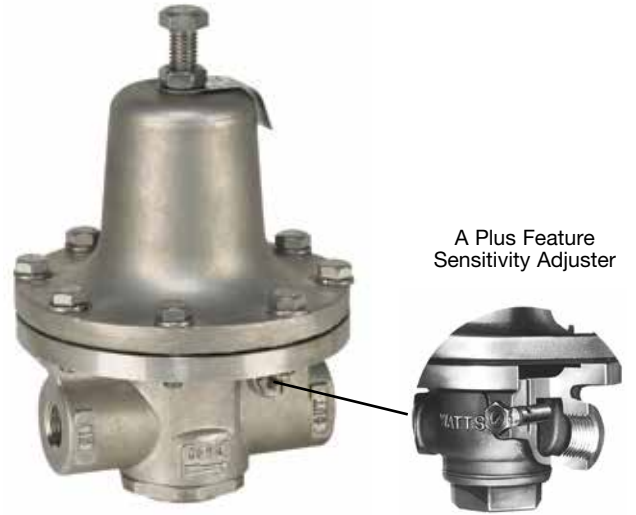
- Versatile design in stainless steel
- In-Line Serviceability
- "Sensitivity Adjuster"

Models

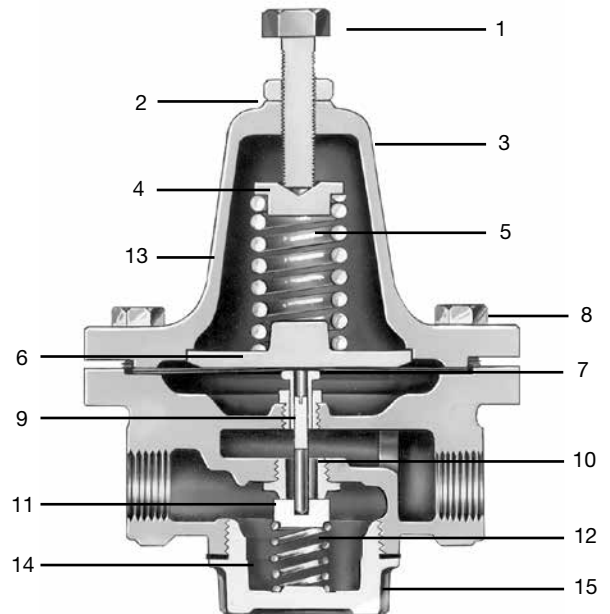
- No. 152SS** Stainless Steel body
No. 152SST Tight seating model for dead end service.

Materials

- | | |
|--|--------|
| 1. Adjusting Screw (HHSTB) | 316SS |
| 2. Adjusting Screw Nut | 316SS |
| 3. Spring Cage | CF8M |
| 4. Spring Button | 316SS |
| 5. Adjusting Spring by Range (psi) | |
| 3-15 | 302SS |
| 10-50 | 316SS |
| 30-140 | 316SS |
| 6. Diaphragm Plate | 316SS |
| 7. Diaphragm | 316SS |
| 8. Flange Screw (HHSCS) (SS) | 316SS |
| 9. Diaphragm Button & Stem Assembly | 304SS |
| 10. Seat | 304SS |
| • 11. Disc (152SS) | 316SS |
| 12. Bottom Spring | 304SS |
| 13. Body | CF8M |
| 14. Strainer | 304SS |
| 15. Bottom Plug | CF8M |
| • 11. Disc (152SST) Tight Seating Option | Teflon |



Basic Design Features



NOTICE

The information contained herein is not intended to replace the full product installation and safety information available or the experience of a trained product installer. You are required to thoroughly read all installation instructions and product safety information before beginning the installation of this product.

NOTICE

Inquire with governing authorities for local installation requirements

Watts product specifications in U.S. customary units and metric are approximate and are provided for reference only. For precise measurements, please contact Watts Technical Service. Watts reserves the right to change or modify product design, construction, specifications, or materials without prior notice and without incurring any obligation to make such changes and modifications on Watts products previously or subsequently sold.

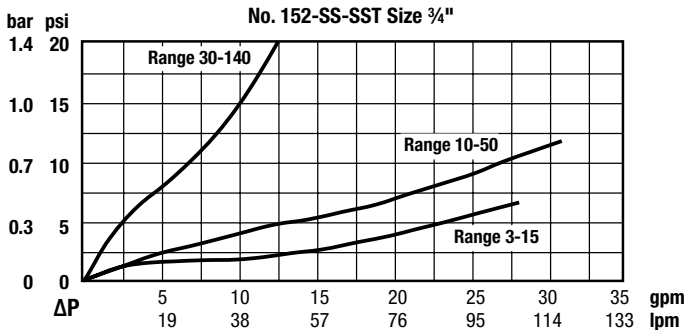
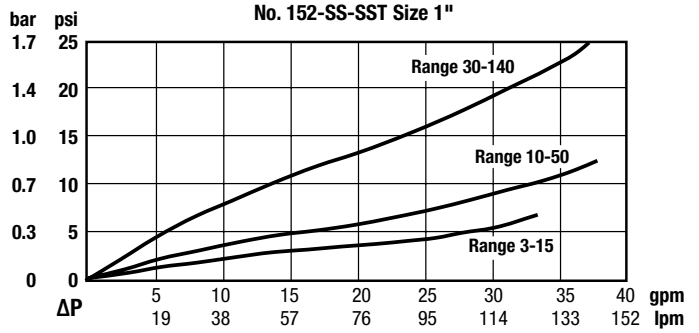


QUICK REFERENCE CAPACITY CHART FOR AVERAGE CONDITION

	From		From		From		From		From		From		From		From			
	psi	bar	psi	bar	psi	bar	psi	bar	psi	bar	psi	bar	psi	bar	psi	bar		
Initial Pressure	50	3.52	75	5.27	100	7.03	125	8.79	150	10.55	175	12.30	200	14.06	225	15.82	250	17.58
	UP TO		UP TO		UP TO		UP TO		UP TO		UP TO		UP TO		UP TO		UP TO	
Reduced Pressure	20	1.41	35	2.46	50	3.52	60	4.22	70	4.92	80	5.62	90	6.33	100	7.03	125	8.79
	in.	* MAXIMUM CAPACITIES IN LBS. OF STEAM PER HOUR																
152-SS-SST	1/2	80	111	143	175	205	237	270	299	332								
152-SS-SST	3/4	285	394	506	620	726	841	945	1050	1178								
152-SS-SST	1	402	557	715	875	1025	1186	1349	1497	1663								

* 1 Lb. Steam Equals 970 BTU Per Hour

Capacity



Adjusting Spring Range Chart

152-SS Series			
SIZE	*ADJUSTABLE RANGES		SPRING AND MODEL NO.
in.	psi	bar	SS
1/2 - 3/4 - 1	3 - 15	.21 - 1.05	128
	10 - 50	.70 - 3.52	591
	30 - 140	2.11 - 9.84	592

Pressure – Temperature

152-SS: For maximum supply pressure up to 300psi @ 420°F (21.1 bar @ 216°C).

152-SST: Operating temperatures are 300°F at 300psi and 400°F at 200psi (149°C @ 21.1 bar and 204°C @ 14.1 bar).

Dimensions – Weights

MODEL	SIZE	DIMENSIONS						WEIGHT	
		A		C		D		lbs.	kgs.
	in.	in.	mm	in.	mm	in.	mm		
152-SS	1/2, 3/4, 1	6	152	7	178	1 3/4	44	11	4.99
152-SST		6	152	7	178	1 3/4	44	11	4.99

