

Engineering Specification

Job Name _____
 Job Location _____
 Engineer _____
 Approval _____

Contractor _____
 Approval _____
 Contractor's P.O. No. _____
 Representative _____

Dead Level® DL-GF 6" Wide Ductile Iron Trench Frame & Grating

Specification

Watts Dead Level® DL-GF 6" wide x 48" long (standard) ductile iron frame (specify), and grating to suit DIN Class (specify) load rating. System to include frame connectors, grate lockdowns, and construction covers. Installation to be performed in accordance with manufacturer's installation instructions.

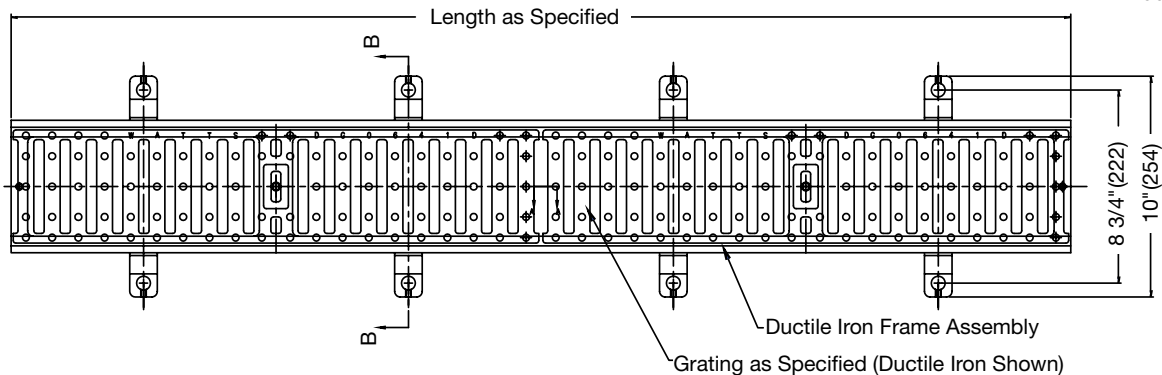
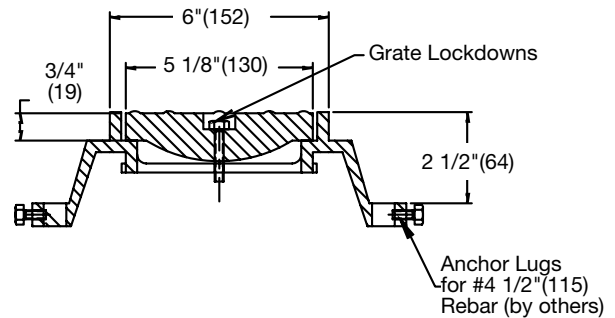
Call customer service if you need assistance with technical details.

Options		
Suffix	Description	
-FG	Galvanized Steel Frame Guard	<input type="checkbox"/>
-FS	Stainless Steel Frame Guard	<input type="checkbox"/>

Grate Options		
Suffix	Description	
-BR	Decorative Bronze	Class B <input type="checkbox"/>
-DI	Ductile Iron	Class F <input type="checkbox"/>
-DI-ADA	Ductile Iron ADA	Class F <input type="checkbox"/>
-GDI	Galvanized Ductile Iron	Class F <input type="checkbox"/>
-GP	Galvanized Perforated	Class A <input type="checkbox"/>
-GS	Galvanized Slotted	Class A <input type="checkbox"/>
-RGP	Reinforced Galvanized Perforated	Class E <input type="checkbox"/>
-RGS	Reinforced Galvanized Slotted	Class E <input type="checkbox"/>
-SP	Stainless Steel Perforated	Class A <input type="checkbox"/>
-SS	Stainless Steel Slotted	Class A <input type="checkbox"/>
-RSP	Reinforced Stainless Steel Perforated	Class E <input type="checkbox"/>
-RSS	Reinforced Stainless Steel Slotted	Class E <input type="checkbox"/>
-SCI	Solid Cast Iron	Class F <input type="checkbox"/>

NOTICE

The information contained herein is not intended to replace the full product installation and safety information available or the experience of a trained product installer. You are required to thoroughly read all installation instructions and product safety information before beginning the installation of this product.



Watts product specifications in U.S. customary units and metric are approximate and are provided for reference only. For precise measurements, please contact Watts Technical Service. Watts reserves the right to change or modify product design, construction, specifications, or materials without prior notice and without incurring any obligation to make such changes and modifications on Watts products previously or subsequently sold.



USA: T: (800) 338-2581 • Watts.com
 Canada: T: (888) 208-8927 • Watts.ca
 Latin America: T: (52) 55-4122-0138 • Watts.com

