

Installation, Operation, and Maintenance Manual

Big Bubba® Model BB-S100

A Complete Whole Home System Solution for
the Reduction of Lead, PFOA/PFOS, Cysts, and Chlorine Taste & Odor



Certified by IAPMO R&T to NSF/ANSI 42 and 53, for the reduction of claims verified and substantiated by test data as specified on the performance data sheet. The system is also certified to CSA B483.1, and NSF/ANSI 372 for Lead Free compliance.

Congratulations on your purchase of the Watts BB-S100 complete whole home system solution! You have made a great choice to protect your home against Lead, PFOA/PFOS, Cysts, and Chlorine Taste & Odor. This system is effective against a multitude of contaminants and is loaded with features including a single high capacity replaceable filter cartridge rated for 84,480 gallons and a volumetric flow monitoring system with filter cartridge change alert. The BB-S100 system uses the robust Watts Big Bubba® filter housing, a trusted icon of the water filtration industry, so you can trust your system will be durable and simple to maintain.

Thank You!

The Watts Team

Lead and PFOA/PFOS contamination of drinking water is a major concern for many consumers due to the health issues they may cause. According to the USEPA, lead can cause behavior, learning, and low IQ problems in children as well as kidney and cardiovascular issues in adults. While the risks associated with PFAS chemicals are still largely unknown, the USEPA says studies indicate exposure to PFOS and PFOA (the most extensively produced and studied of these chemicals) can cause reproductive and developmental, liver and kidney, and immunological effects, as well as tumors, in laboratory animals.

Introduction

⚠ WARNING



Read this Manual BEFORE using this equipment.
Failure to read and follow all safety and use information can result in death, serious personal injury, property damage, or damage to the equipment.
Keep this Manual for future reference.



If you are unsure about installing your Watts Filter system contact a Watts representative or consult a professional plumber.

You are required to thoroughly read all installation instructions and product safety information before beginning the installation of this product. **FAILURE TO COMPLY WITH PROPER INSTALLATION AND MAINTENANCE INSTRUCTIONS COULD RESULT IN PRODUCT FAILURE WHICH CAN CAUSE PROPERTY DAMAGE, PERSONAL INJURY AND/OR DEATH.** Watts is not responsible for damages resulting from improper installation and/or maintenance. Local building or plumbing codes may require modifications to the information provided. You are required to consult the local building and plumbing codes prior to installation. If this information is not consistent with local building or plumbing codes, the local codes should be followed. Save manual for future reference.

Refer to the enclosed for operating parameters to ensure proper use with your water supply.

If this equipment, or any of its parts, becomes damaged or needs repair, stop using the equipment and contact an experienced service individual immediately.

- Use only lead-free solder and flux for sweat-solder connections, as required by state, province and federal codes.
- Handle all components of the system with care. Do not drop, drag or turn components upside down.
- Be sure the floor under the system is clean, level and strong enough to support the system while in operation.
- Install the system in a protected area.
- Do not attempt to treat water over 125°F (51°C) with the system.
- Always connect the system to the main water supply pipe before the water heater.
- Do not expose the system to freezing temperatures. Water freezing in the system causes equipment damage.
- Do not install in direct sunlight. Ultraviolet rays from the sun may cause damage.
- A 5 micron disposable cartridge filter may be required as a prefilter to this system to prevent premature clogging of the BB-S100 system filter cartridge by sediment.

⚠ WARNING

Do not use with water that is microbiologically unsafe or of unknown quality without adequate disinfection before or after the system. System certified for cyst reduction may be used on disinfected waters that may contain filterable cysts.

Table of Contents

Overview	4
Equipment Specifications	4
Operational Parameters and Feed Water Guidelines	4
Dimensions-Weights	5
Flow Rate and Pressure Drop	6
Installation Precautions	7
Contents of Filter System	7
System Diagram	7
Preparing the System for Installation	8
Installation	9
System Start Up Procedure	11
Volumetric Flow Monitor Operation	11
Installation Diagrams	12
Filter Cartridge Replacement Procedure	13
Replacement Parts	14
Troubleshooting	16
Performance Data Sheet	17
Volumetric Flow Monitor Quick Reference Guide	18
Limited Warranty	20

⚠ CAUTION

Test the water periodically to verify that the system is performing satisfactorily.

Overview

Thank you for your purchase of this quality Water Treatment system solution.

Your new system is equipped with a high capacity carbon block filter cartridge with Lead, PFOA/PFOS, Cysts, Sediment, Chlorine and Chloramine reduction capability. Another great feature of this system is the volumetric flow monitor that alerts you when the filter cartridge needs to be changed based on water usage. The BB-S100 water filtration system provides clean, clear, great tasting water to your entire home and has a 84,480 gallon filtration capacity for the reduction of Lead and PFOA/PFOS. The system is certified to reduce Lead (soluble and insoluble), PFOA/PFOS, Cysts, and Chlorine.

This system is designed for point of entry installation for whole home treatment and to be simple and convenient to service.

System Maintenance

It is important to change the filter cartridge at the recommended interval indicated in this manual. Many contaminants are not detectable by taste. In addition, other bad tastes and odors may become apparent over time if the filter cartridge is not replaced when needed.

Should you have any further questions, please call our customer service (978) 689-6066 or your Watts representative.

Equipment Specifications

This Watts water filtration system is complete, and self-contained, with the filter cartridge pre-installed in the filter housing. Some light assembly is required to install plumbing adaptors, volumetric flow monitor and inline flow meter. Please review operating pressures, temperatures and water chemistry limitations to ensure compatibility and performance.

Operational Parameters and Feed Water Guidelines

NOTICE

Installation must comply with state and local plumbing regulations.

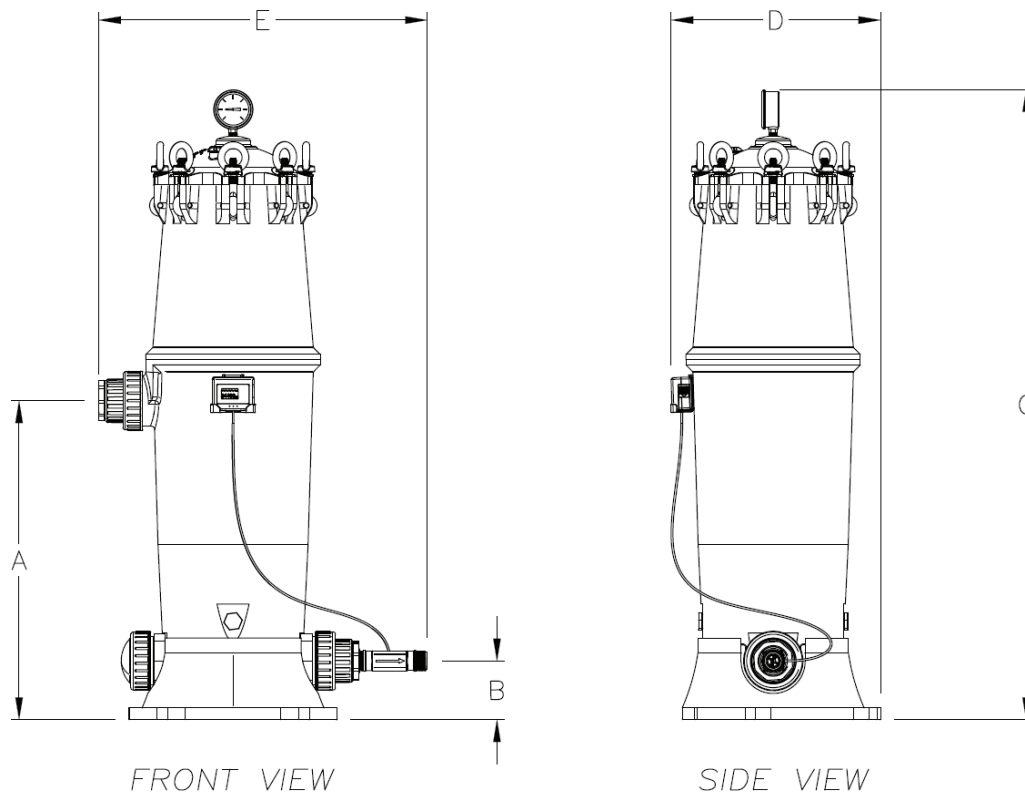
Please review operating pressures, temperatures and water chemistry limitations to ensure compatibility.

- pH 6.5 to 8.5
- Min/Max Water Pressure 25psi to 125psi /172 kPa to 861 kPa
- Min/Max Water Temperature. . 34 to 125°F / 1 to 52°C (125°F / 52°C at 80psi maximum pressure)
- Free Chlorine (maximum) 2.0 mg/L
- Iron (maximum). 0.3 mg/L
- Manganese (maximum) 0.05 mg/L
- Oil and H2S None Allowed
- Turbidity/Sediment Pre-filter inlet water with 5 micron sediment filter if sediment/turbidity prevents BB-S100 filter cartridge from achieving full volume capacity

System Electrical Requirements 2 AA Alkaline Batteries

For all other guideline information please contact your Watts representative. Water that does not meet the above guidelines will require additional pre-treatment.

Equipment Specifications



Dimension — Weights

MODEL NO.	DIMENSIONS										SHIPPING WEIGHTS		OPERATING WEIGHT	
	A		B		C*		D		E		lbs.	kgs	lbs.	kgs
	in.	mm	in.	mm	in.	mm	in.	mm	in.	mm				
BB-S100	21.6	549	3.9	99	42.6	1082	14.2	361	22.3	566.4	64	29	123	56

*Allow 36" clearance above the top of the system for filter cartridge replacement.

All dimensions are +/- 1" and are subject to change without notice.

Equipment Specifications

SYSTEM MODEL NO. BB-S100

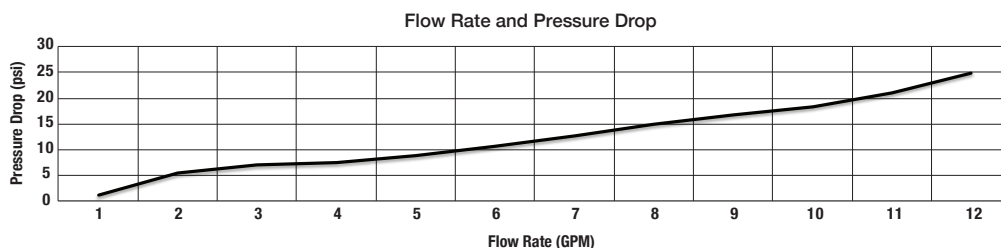
Minimum/Maximum Operating Temperature*	34 to 125°F / 1 to 52°C (125°F / 52°C at 80psi Maximum Pressure)
Minimum/Maximum Operating Pressure*	25psi to 125psi / 172 kPa to 861 kPa
Maximum Continuous Flow Rate for Lead & PFOA/PFOS Reduction**	4 GPM (15 lpm)
Maximum Flow Rate for Chlorine Reduction***	13 GPM (49.2 lpm)
Maximum Flow Rate for Chloramine Reduction***	7 GPM (26.4 lpm)
Inlet and Outlet Connection Size/Type	1" NPT
Unfiltered Water Housing Drain Port Connection Size/Type	½" FNPT
Filter Housing Body Material	Glass Reinforced Polypropylene
Inlet Pressure Gauge Port	¼" FNPT Brass Reinforced
Inlet Pressure Gauge Included	Yes
Swing Bolts (Lid) Material	304 Stainless Steel
O-ring (Lid) Material	EPDM
O-ring (Plumbing Adaptors) Material	EPDM
Nominal Micron Rating	0.5 Micron Nominal
Filter Housing Anchor Kit Included	Yes- 3/8" Concrete Anchors (X3)
Number of Filter Cartridges	1
Filter Cartridge Media Type	Lead Adsorption Carbon Block
Filter Cartridge End Cap Material/Color	Glass Reinforced Polypropylene/Green
Filter Cartridge Top Endcap Includes Handle	Yes
Filter Cartridge O-ring (Dual) Material	EPDM
Maximum Allowable Filter Cartridge Pressure Drop	40psi Drop
Flow Monitor Display Type	5 Digit LCD- Volumetric Count Down to "0"
Flow Monitor Capacity	84,480 Gallons (Resettable / Non Programmable)
Positive Indication of Flow	Yes- Flow Wave Icon On Display
Flow Monitor Alarm at "0" Gallons Remaining	During Water Flow: Visual- Flashing "0 gal" on Display/ Audible- Beeping Alarm
Flow Monitor Power Supply	2 AA Alkaline Batteries
Low Battery Alarm	Yes- Visual Low Battery Icon and Audible Beeping Alarm
Flow Meter Type	Inline Flow Through Turbine Meter
Flow Meter Connection Size/Type	1" x 1" MNPT
Flow Meter Body Material	Glass Reinforced Polymer

*Minimum and Maximum Operating Temperatures and Pressures listed above apply to complete system as well as all individual components including filter housing, filter cartridge and volumetric flow monitor/meter.

** See Certified Substance Reduction for specific flow and reduction claims.

***Claims are not performance tested or certified by IAPMO. Performance claims are based on independent laboratory and manufacturer's internal test data. Actual performance is dependent on influent water quality, flow rates, system design and application. Results may vary. See Certified Substance Reduction for certified chlorine flow and reduction claims.

Flow Rate and Pressure Drop



Low Pressure Drop

The Watts BB-S100 system uses a large, high capacity carbon block filter cartridge to ensure the highest degree of performance while offering the highest possible flow rate at the lowest possible pressure drop.

Pressure drop testing conducted at Watts' Peoria, AZ facility using approximately 73°F water. Test results reflect new filter cartridge flow rate and pressure drop performance.

Installation Precautions

NOTICE

- Do not install the system where it would block access to the water heater, main water shutoff, water meter, or electrical panels.
- Install the system in a place where water damage is least likely to occur if a leak develops.
- System is intended to be installed on the cold water line ONLY. Do not use hot water supply or feed the system with water temperatures exceeding what is specified in the Operating Parameters or system damage could occur.
- Do not install if your water lines are susceptible to water hammer. Correct water hammer issues first before system installation.
- System to be used with municipal or well water sources properly treated and tested on a regular basis to ensure suitable and non-adverse water conditions, including bacteriological safe quality.
- System is intended to be installed indoors.
- Filter system must be protected against direct sunlight, rain, moisture, freezing temperatures, frost, snow, sleet and ice. Exposure to these elements can damage the system and lead to water damage or damage to the electronics.
- System must be installed vertically and on a flat level surface that is sturdy enough to support the weight of the system while it is in operation.
- Construction of a system bypass including inlet, outlet and bypass valves is recommended to facilitate servicing of the system.
- The filter cartridge recommended for use with this system carries a limited service capacity as indicated by the volumetric flow monitor. Ineffective reduction of contaminants, changes in taste, odors, color and/or flow of the water being filtered can occur if filter cartridge is not changed as required.
- Make certain that installation complies with all state and local laws and regulations.
- The full weight of the piping and valves must be supported by pipe hangers or other means.

Contents of Filter System

Please make sure all of the items listed below are contained in the box. If any of the items are missing please contact your Watts Representative or Watts Customer Service at 978-689-6066 prior to installing.

- Filter Housing
- Filter Cartridge (Is factory preinstalled inside filter housing)
- Inlet Water Pressure Gauge
- Plumbing Adaptors 2" PVC (2 Each)
- Plumbing Adaptor O-rings (2 Each)
- Plumbing Adaptor Nuts (2 Each)
- 2" Male Glue X 1" FNPT PVC Bushings (2 Each)
- Volumetric Flow Monitor Display and 1" Inline Flow Meter
- 3/8" Concrete Anchor Bolts (3 Each)

System Diagram



Diagram Identification

ITEM	DESCRIPTION
A	Filter Housing
B	Lead/PFOA/PFOS/Cyst/Chlorine Reduction Filter Cartridge
C	Inlet Water Connection Plumbing Adaptor
D	Optional Outlet Water Connection
E	Inlet Water Pressure Gauge
F	Pressure Relief Button
G	Volumetric Flow Monitor and 1" Inline Flow Meter
H	Outlet Water Connection Plumbing Adaptor
I	2" Male Glue X 1" FNPT PVC Bushings (2 Each)
J	Drain Water Connection (Plugged)
K	Anchor Mounting Bolts Not Shown (X3)

Installation

Recommended Tools for Installation

- Small knife to cut box tape
- Variable speed hammer drill and 3/8" concrete drill bit (If installing on concrete)
- Adjustable wrench
- General plumbing tools for your specific plumbing type
- Plumbing Tape
- Silicone O-ring lubricant

Preparing the System for Installation

NOTICE

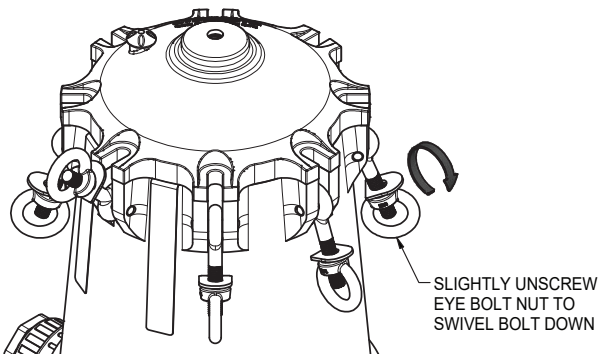
The Watts Model BB-S100 is factory packaged with inner packaging for added protection. This internal packaging must be removed from the system before beginning installation.

Step 1 - Remove the packaging bands from the system box and open the top flaps of the box. Remove the black foam packaging pad.

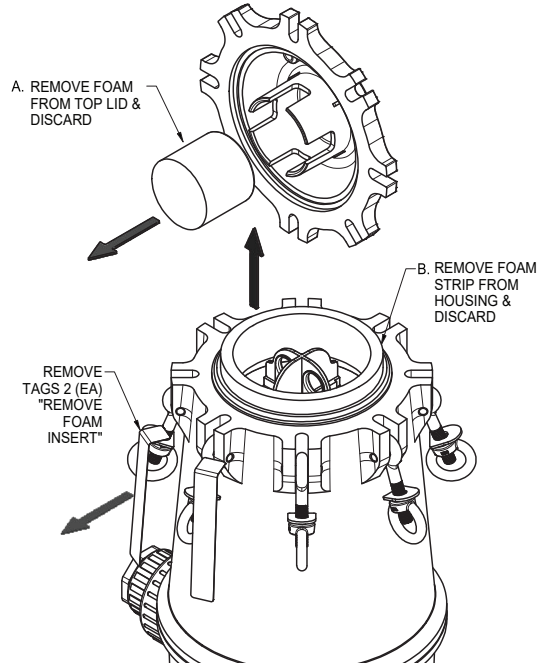
Step 2 - Remove the upper cardboard packaging tray and locate the pressure gauge, flow monitor with flow meter box marked "BB-M100", system manual, 2" PVC plumbing adaptors (2 each), plumbing adaptor O-ring (2 each) 2" Male Glue X 1" FNPT PVC plumbing bushings (2 each), and anchor mounting bolts (3 each) all packaged within the cardboard tray. Keep these components in a safe location for later installation steps.

Step 3 - Lift up on the system box to remove it from the filter system. Then lift filter system out of its bottom box and set it vertically on the floor.

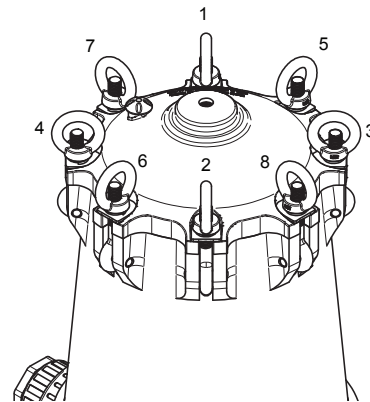
Step 4 - Note the two instruction tags at the top of the filter housing instructing the installer to "Remove Foam Packaging" located inside the filter housing. To remove filter housing lid, loosen all eyebolt nuts counterclockwise, allow bolts to swing and relax downward, then lift up on filter housing lid.



Step 5 - Remove foam packaging pieces: A. from lid of filter housing and B. from top of filter cartridge. To remove foam piece B it may be necessary to remove filter cartridge by rotating filter cartridge 1/2 rotation counterclockwise, then lifting up on the filter cartridge. Once exposed, remove foam piece B. For additional information on filter cartridge removal see Filter Cartridge Replacement Procedure in this manual.



Step 6 - Ensure filter housing lid O-ring is properly seated on top of filter housing and reinstall filter housing lid. Swing the eye-bolts into the upward position, and tighten nuts hand tight in an opposing style pattern. Continue tightening nuts in this opposing pattern until all are fully hand tight.



Installation

Note: Locate the components identified in previous "Preparing the System for Installation" **Step 2 for use in this section.**

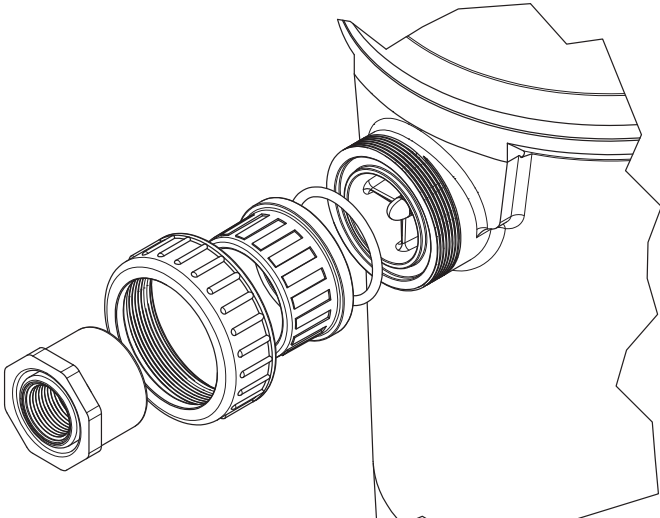
See Installation Diagrams on page 12 for additional information.

Step 1 - The system must be installed in a vertical position. Place the system in the desired location. Make sure that the mounting surface is level and sturdy enough to support the weight of the system while in operation.

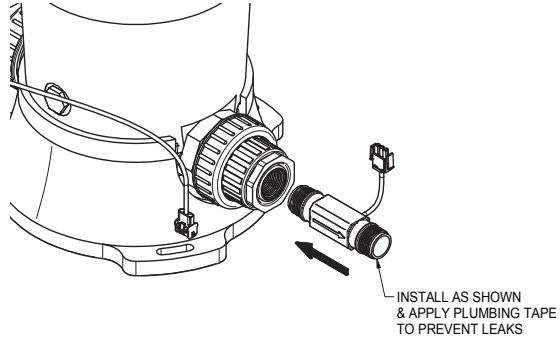
Step 2 - Prepare the filter housing for installation by first unthreading and removing the union nuts of both the inlet and outlet ports in a counterclockwise motion. Install the plumbing adaptor O-ring into the O-ring groove of each inlet and outlet port, attach plumbing adaptors and reattach union nuts tightening hand tight only, DO NOT use wrenches. DO NOT use thread sealant of any kind on the union threads. Use only silicone lubricant on O-rings.

Note: System has an optional outlet port to accommodate different plumbing arrangements. Outlet plumbing adaptor can be relocated to optional outlet port if desired.

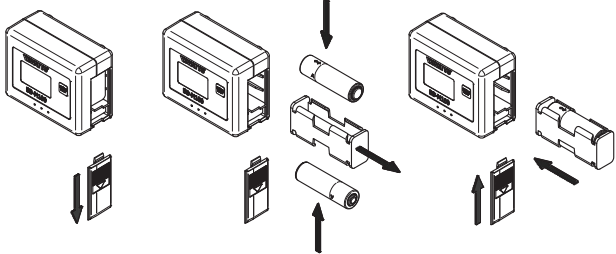
Step 3 - Using a primer and glue system approved for pressurized PVC potable water plumbing applications, install the 2" Male Glue X 1" FNPT PVC plumbing bushings into the inlet and outlet plumbing adaptors.



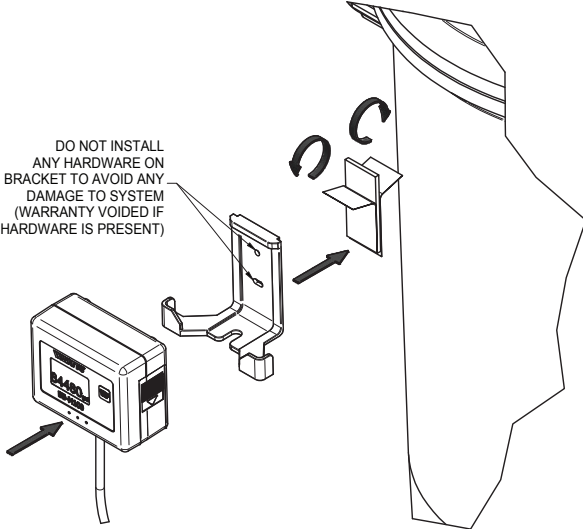
Step 4 - Apply plumbing tape to the inlet thread of the 1" inline flow meter. An arrow on the flow meter indicates the direction of flow. Apply plumbing tape to the outlet thread of 1" flow meter if required by the outlet plumbing method used. Insert flow meter into system outlet plumbing port with the arrow pointing in the direction of flow. Hand tighten only, clockwise, DO NOT use wrenches.



Step 5 - Insert 2 AA alkaline batteries into flow monitor. Monitor will turn ON once batteries are installed.

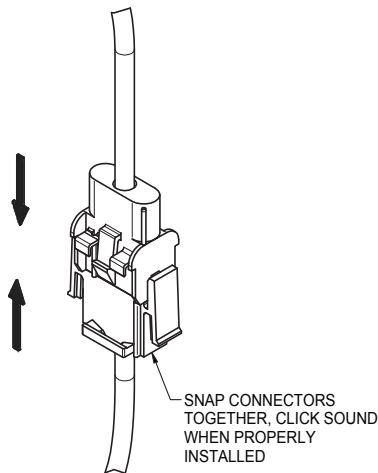


Step 6 - Apply double sided tape to flow monitor mounting bracket. Press hold bracket against desired mounting location for 10 seconds. Mounting surface must be clean and dry. Insert flow monitor into mounting bracket.

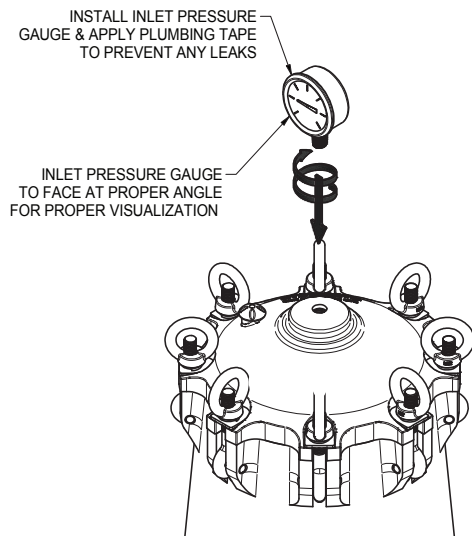


Installation

Step 7 - Connect the flow monitor cable to flow meter cable.



Step 8 - Apply plumbing tape to the threads of the pressure gauge and insert into the gauge port of the filter housing lid. Use a wrench to tighten clockwise, Do Not twist on the gauge case.



Step 9 - Turn off the main water supply to the home and open an inside Faucet, both hot and cold side, to relieve any pressure within the plumbing system.

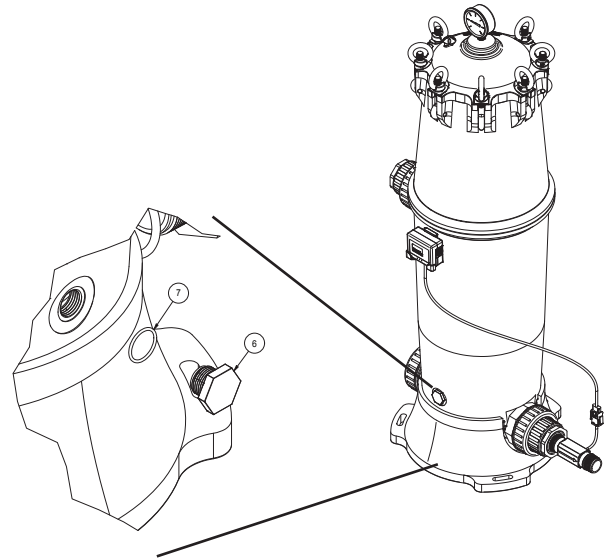
Step 10 - Turn off water heater(s).

Step 11 - Construct inlet plumbing line from domestic cold water source and connect to inlet plumbing port on system. Include an inlet water isolation valve (user supplied) in the supply line and close it.

Step 12 - Construct outlet plumbing line from flow meter outlet port of system and connect to supply line entering home. Include an outlet water isolation valve (user supplied) in the outlet line and close it. Also install an outlet pressure gauge in this line.

Step 13 - Construct a bypass plumbing line around the system. Include a bypass valve (user supplied) in the bypass line and close it.

Step 14 - Remove 1/2" NPT system drain port plug (item #6 and #7) from filter housing counterclockwise.



Construct a drain line with shut off valve using 1/2" PVC plumbing (user supplied) so the system can be drained of water during filter cartridge changes. Drain line must route to a drain receptacle (i.e., floor drain or drain pipe) where drain water will not cause personal injury or property damage. Close the drain valve. Follow all local building codes for drain line construction. Leave an air gap of at least 4" at the end of the drain line. See page 12 Installation Diagrams for additional information.

Step 15 - Using drill and 3/8" drill bit, anchor system to floor with mounting hardware provided. If mounting surface is other than concrete, installer must provide appropriate mounting hardware.

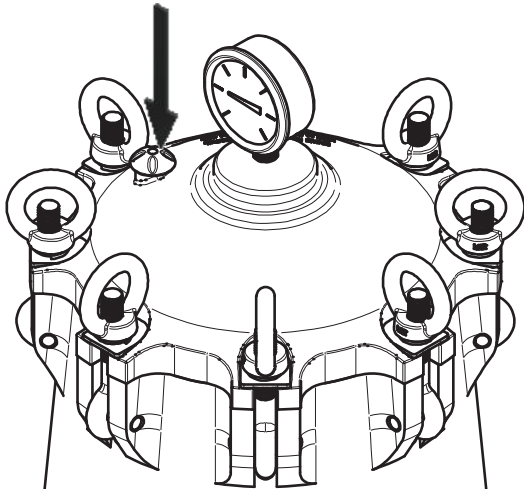
Step 16 - For installations where the system is installed within a metal plumbing system, install a metal bonding strap across metal inlet and outlet plumbing lines to maintain electrical continuity.

System Start Up Procedure

Step 1 - Turn on main water supply to home.

Step 2 - Open inlet isolation valve to the ¼ open position.

Step 3 - Press the red pressure relief button on top of filter housing lid to bleed air from the system while it is filling with water. Stop pressing pressure relief button once water flow from pressure relief is visible.



Step 4 - Fully open inlet and outlet isolation valves and allow water to flow from hot and cold side of faucets until all air has been purged from the plumbing system.

Step 5 - Check for leaks and repair as needed.

Step 6 - Close hot side faucet and allow water to flow from cold side faucet at full flow for 10 minutes to properly flush new filter cartridge to prepare it for use. Turn off faucet cold side.

Step 7 - Turn on water heater(s)
The system is now ready for use.

NOTICE

Check frequently over the next 24 hours to ensure no leaks are present

Volumetric Flow Monitor Operation

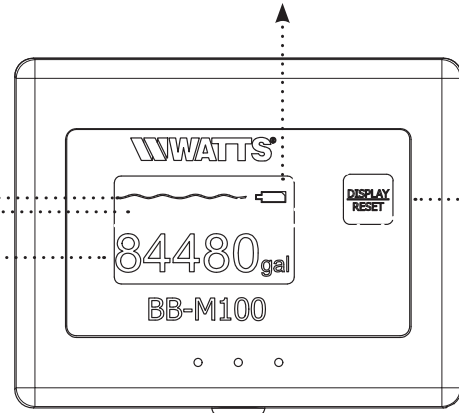
The flow monitor and inline flow meter that comes with this system is a volumetric flow device that records water volume usage and sounds an alert when the filter cartridge has reached its rated gallon capacity.

Flow Wave Indicator- Indicates water flow through system.

Low Battery Indicator- Alarm Icon illuminates when battery power is low and alarm will sound. Replace batteries to clear alarm conditions.

⚠ WARNING

Change Batteries ONLY when screen is dormant and NO water is flowing through the flow meter. If water is flowing and screen is on when batteries are changed, the last usage volume will not be saved.



Battery Compartment- 2- AA Alkaline Batteries.

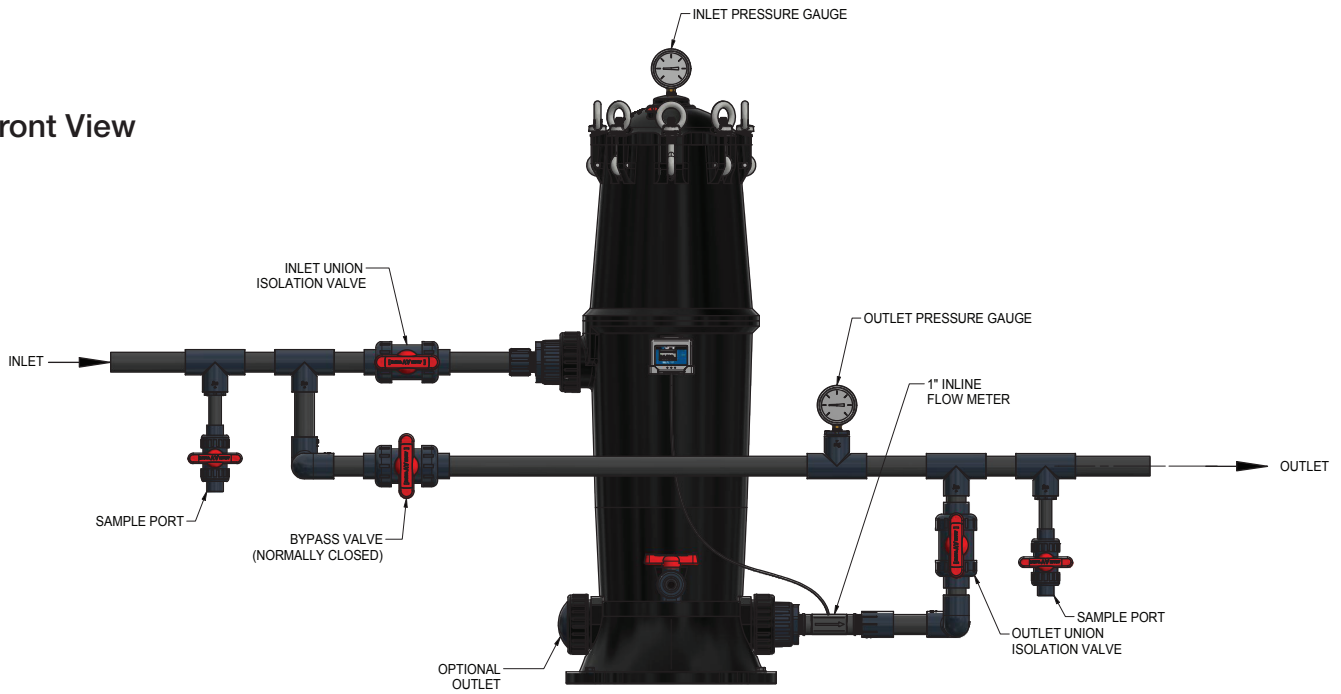
Display/Reset Button- Can be pressed for 1 second while display is dormant to view gallons remaining. Press and hold for 6 seconds to reset display back to 84480 Gallons and to clear alarm after filter cartridge is changed.

Volume Remaining- Counts down from full capacity to "0" gallon. Full Capacity is 84480 Gallons. Audible alarm will sound and screen will flash "0 gal" when filter cartridge change is required.

Display Screen- Activates only when water is flowing through system. Display is dormant after 10 seconds of no water flow.

Installation Diagrams

Front View

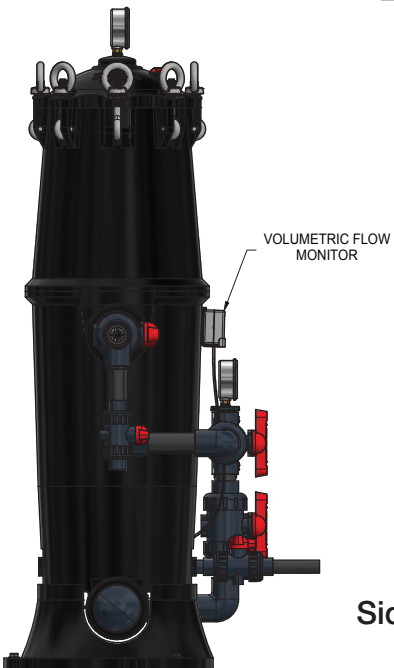


3X ANCHOR POINTS



Top View

Side View



Filter Cartridge Replacement Procedure

**Replacement Carbon Block Filter Cartridge:
Model Number BB-C100
Ordering Code 7100980**

Replace filter when flow monitor capacity alarm sounds and “0” Gallons remain on flow monitor

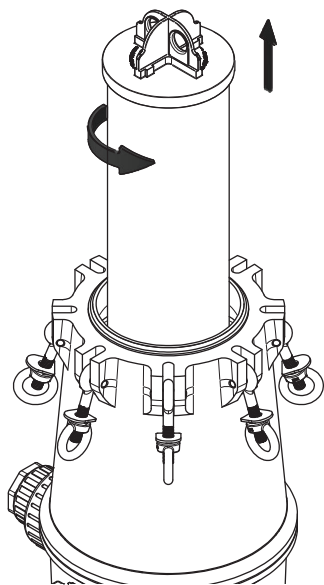
Step 1 - Turn off inlet and outlet isolation valves and open an inside faucet, both hot and cold side, to relieve any pressure within the plumbing system.

Step 2 - Press red pressure relief button on top of filter housing lid until water stops flowing from button and the pressure gauge on top of filter housing lid shows “0” PSI.

Step 3 - Open drain valve and completely drain water from filter housing. Drain line must route to a drain receptacle (i.e., floor drain or drain pipe) where drain water will not cause personal injury or property damage.

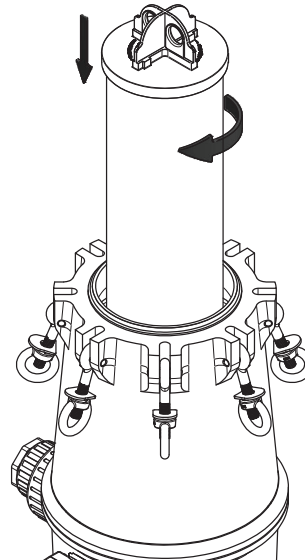
Step 4 - Loosen eye bolt nuts on top of filter housing and remove lid.

Step 5 - To remove filter cartridge from filter housing, grip the handle on top of the filter cartridge, turn counterclockwise then lift filter cartridge up and out of filter housing.



Step 6 - Inspect inside of filter housing for debris and clean as necessary.

Step 7 - Remove new filter cartridge from packaging bag. Grip the handle on top of the filter cartridge and insert filter cartridge into filter housing. Lower filter cartridge into filter housing, pushing down while rotating clockwise until filter cartridge comes to a positive stop.



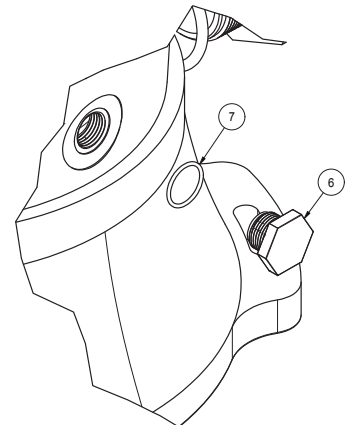
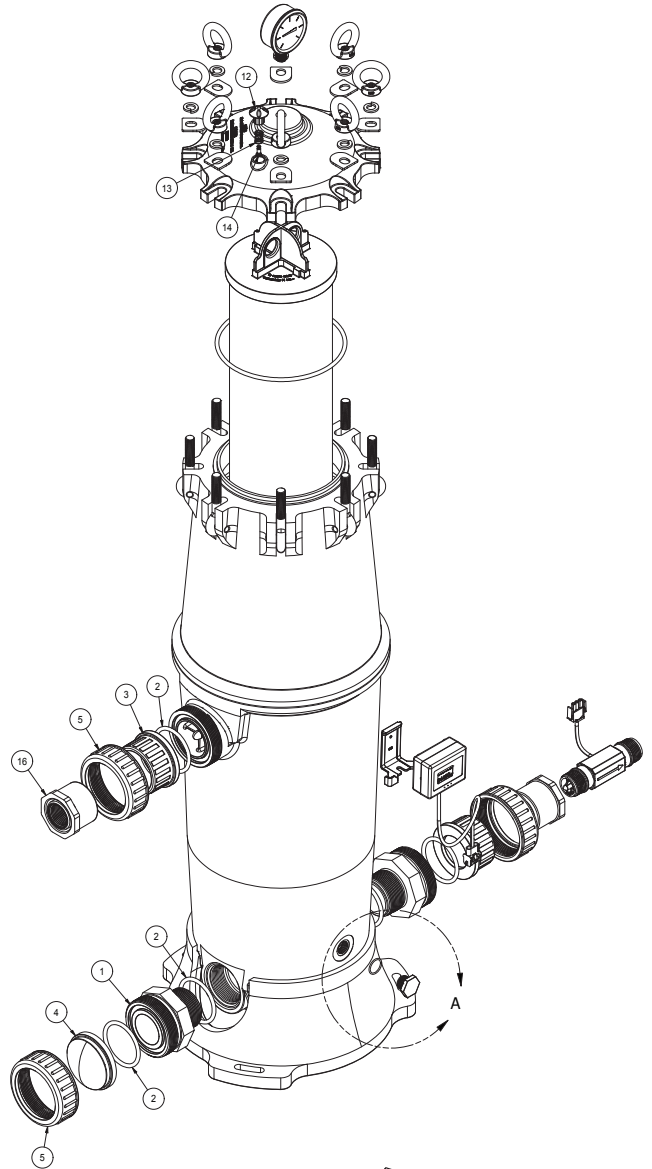
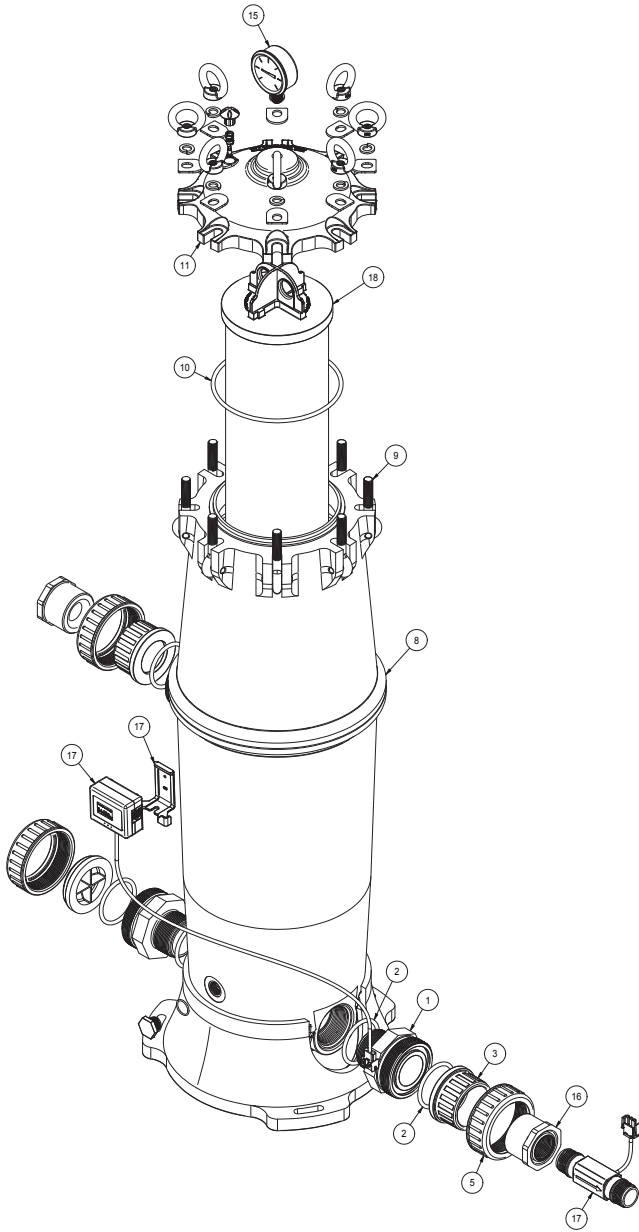
Step 8 - Ensure lid O-ring is properly seated on top of filter housing and reinstall filter housing lid (replace O-ring if damaged- Ordering Code 68100619). Swing the eyebolts into the upward position, and tighten nuts hand tight in an opposing style pattern. Continue tightening nuts in this opposing pattern until all are fully hand tight. (See Preparing System for Installation Step 6)

Step 9 - Press and hold DISPLAY / RESET button on flow monitor for 6 seconds to reset the gallon capacity remaining to 84480 Gallons.

Follow System Start Up Procedure steps 2-6 to prepare the system for operation.

The system is now ready to use.

Replacement Parts



DETAIL A

Replacement Parts

ITEM #	ORDERING CODE	DESCRIPTION
1	68100610	Filter Housing Coupler
2	68100611	O-ring for Filter Housing Coupler
3	68100608	Plumbing Adapter 2" PVC Grey
4	68100614	Filter Housing Coupler Cap 2" PVC Grey
5	68100618	Plumbing Adapter Union Nut
6	68100613	Drain Plug 1/2" NPT
7	68100612	O-ring for Drain Plug
8	7100979	BB-H100 Replacement Filter Housing Includes Plumbing Adapters, Union Nuts, Pressure Gauge, Filter Housing Lid and O-rings
9	68100615	Eye Bolt
10	68100619	Filter Housing Lid O-ring
11	68100616	Filter Housing Lid -Does Not Include Pressure Gauge
12	68100620	Pressure Relief Button Red
13	68100622	Spring for Pressure Relief Button
14	68100623	Locking Pin Stem Red for Pressure Relief Button
15	68106170	Pressure Gauge 0-200 PSI 1/4" Bottom Mount
16	7100978	2" Male Glue X 1" FNPT Plumbing Bushing PVC Grey
17	7100977	Model # BB-M100 Volumetric Flow Monitor With 1" Inline Flow Meter 84480 Gallon Capacity
18	7100980	Model # BB-C100 Carbon Block Filter Cartridge for the Reduction of Lead, PFOA/PFOS, Cysts, and Chlorine Taste & Odor

For replacement components and service please contact the Watts Dealer/Distributor that installed the system. If Dealer/Distributor cannot be reached, contact Watts Customer Service at 978-689-6066.

Troubleshooting

TROUBLESHOOTING		
ISSUE	POSSIBLE CAUSE	CORRECTIVE ACTION
Contaminant(s) present in outlet water	Filter cartridge has exceeded its capacity	Replace filter cartridge and reset flow monitor
	O-ring damage on filter cartridge	Replace filter cartridge and reset flow monitor
	Filter cartridge is broken or defective	Replace filter cartridge and reset flow monitor
	Bypass valve is open	Close bypass valve
	System is too small for the application	Ensure water flow does not exceed systems rated GPM
Volumetric flow monitor is not tracking water usage	Batteries need to be replaced	Replace batteries, replace filter cartridge and reset flow monitor*
	Foreign debris in flow meter	Clean meter of foreign debris, replace filter cartridge and reset flow monitor
	Flow monitor cable is not properly connected to meter	Check cable connection, replace filter cartridge and reset flow monitor
	Flow meter is installed backwards	Install flow meter with arrow pointing in the direction of flow, replace filter cartridge and reset flow monitor
	Bypass valve is open	Close bypass valve
Alarm does not clear when flow monitor is reset	Defective flow monitor	Replace flow monitor and replace filter cartridge
	Battery power is low	Replace batteries*
Water leak at inlet/outlet plumbing adaptor	O-ring is damaged or not seated properly	Replace plumbing adaptor O-ring
	Union nuts are loose	Fully hand tighten union nuts
Water leak at filter housing lid	O-ring is damaged or not seated properly	Replace filter housing lid O-ring
	Eye bolt nuts are loose	Fully hand tighten eyebolt nuts in an opposing pattern
Water leaks from pressure relief button	Damaged O-ring or foreign debris in pressure relief assembly	Clean pressure relief valve and replace if required
Low pressure at outlet	Filter cartridge clogged with sediment	Install a 5 micron pre-sediment filter before system, replace filter cartridge and reset flow monitor
	System is too small for the application	Ensure water flow does not exceed system's rated GPM
White or milky colored water from system	Air in filter system	Fully purge air from system using pressure relief button and run water through system until water runs clear

WARNING

*Change Batteries ONLY when screen is dormant and NO water is flowing through the flow meter. If water is flowing and screen is on when batteries are changed, the last usage volume will not be saved.

Performance Data Sheet

Certified Substance Reduction

RECOMMENDED REPLACEMENT PARTS AND CHANGE INTERVAL:

Depending on incoming feed water conditions, replacement gallon capacity may vary.

Description

Big Bubba BB-S100 Complete Whole Home Solution for the Reduction of Lead, PFOA/PFOS, Cysts, and Chlorine Taste & Odor

System Model/Part Number

BB-S100 / 7100976

Capacity

84,480 Gallons / 319,791 Liters

Replacement Filter Cartridge

Carbon Block Filter Cartridge for the Reduction of Lead, PFOA/PFOS, Cysts, and Chlorine Taste & Odor Model Number BB-C100 / Part Number 7100980

Minimum/Maximum Operating Water Temperature

34 to 125°F / 1 to 52°C (125°F / 52°C at 80psi maximum pressure)

Minimum/Maximum Water Pressure

25psi to 125psi / 1.75 Kg/cm2 to 8.78 Kg/cm2

Rated Service Flow

4 GPM (15 LPM)

Pressure Drop of System at Rated Service Flow

10psig

BB-S100 system has been certified by IAPMO R&T against NSF/ANSI 42 and 53 for the reduction of substances listed below. The concentration of the indicated substances in water entering the system was reduced to a concentration less than or equal to the permissible limit for water leaving the system, as specified in NSF/ANSI 42 and 53. The system is certified to CSA B483.1 and NSF/ANSI 372 for Lead Free compliance.

Treated water from system should be tested at regular intervals to ensure quality and safety at point of use.

Contact:

USA

Watts
815 Chestnut Street
North Andover, MA 01845-6098
Phone: 978-689-6066
Fax: 978-975-8350
Watts.com

Canada

Watts
5435 North Service Road
Burlington, ON L7L 5H7
Phone: 888-208-8927
Fax: 905-481-2316
Watts.ca

For Purchases Made In Iowa	
Buyers Name:	_____
Date:	_____
Sellers Name:	_____
Date	_____
<i>The seller shall retain the signed PDS on file at the seller's place of business for at least two years.</i>	

SUBSTANCE	AVERAGE INFLUENT	NSF/ANSI INFLUENT CHALLENGE CONCENTRATION	PERCENT REDUCTION REQUIREMENT/MAXIMUM PERMISSIBLE PRODUCT WATER CONCENTRATION	AVERAGE % REDUCTION @ FLOW RATE GPM (LPM)	PEAK FLOW & % REDUCTION OF LEAD	
NSF/ANSI 42 — Aesthetic Effects						
Chlorine	2.0 mg/L	2.0 mg/L ± 10%	≥ 50%	97.90% @4 GPM (15 lpm)	7 GPM (26.4 lpm) @ 99.62% reduction (*) >74,000 gallons at 8 GPM (280,090 Liters @ 26.4 lpm)	
NSF/ANSI 53 — Health Effects						
Cyst	126,000/L	Minimum 50,000/L	> 99.95%	99.97% @4 GPM (15 lpm)		
Lead pH 6.5	0.15 mg/L ± 10%	0.15 mg/L ± 10%	0.005 mg/L	99.62% @4 GPM (15 lpm)		
Lead pH 8.5	0.15 mg/L ± 10%	0.15 mg/L ± 10%	0.005 mg/L	99.62% @4 GPM (15 lpm)		
PFOA/PFOS	.0015 mg/L ±10%	.0015 mg/L ± 10%	0.00007 mg/L	98.26% @4 GPM (15 lpm)		

Not all water will contain contaminants listed. Testing performed under standard laboratory conditions; actual performance may vary. Filter system usage must comply with all state and local laws. Filter system is only to be used with cold water. Do not use with water that is microbiologically unsafe or of unknown quality without adequate disinfection before or after the system. Systems certified for cyst reduction may be used on disinfected water that may contain filterable cysts. Flush new filter cartridge for 10 minutes to prepare it for use. Spent adsorption media shall not be regenerated and used.

Non-Certified Substance Reduction*

SUBSTANCE	AVERAGE INFLUENT CONCENTRATION	INTERMITTENT PEAK FEED FLOW RATE GPM (LPM)	ESTIMATED GALLON CAPACITY @ INTERMITTENT PEAK FEED FLOW RATE	ESTIMATED NEW CARTRIDGE PERCENT REDUCTION OF SUBSTANCE @ INTERMITTENT PEAK FLOW RATE
Chlorine	2.0 mg/L Free Chlorine	13 GPM (49.2 lpm)	264,000 Gallons (999,348 liters)	90%
Chloramine	3.0 mg/L Free Chloramine	7 GPM (26.4 lpm)	132,000 Gallons (499,674 liters)	85%

*Claims are not performance tested or certified by IAPMO. Performance claims are based on independent laboratory and manufacturer's internal test data.

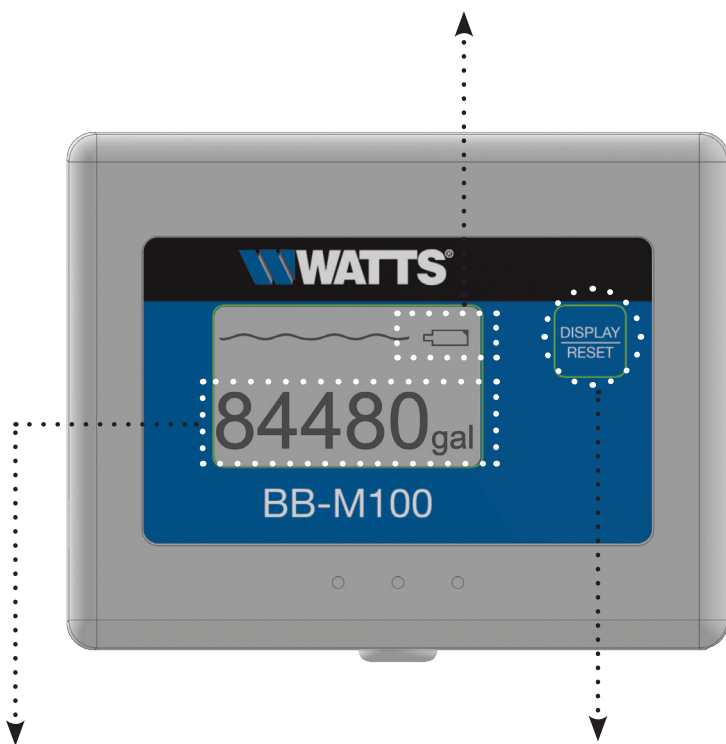
Actual performance is dependent on influent water quality, flow rates, system design and application. Results may vary.

Refer to Owner's Manual and Installation instructions for installation, operation, maintenance, and warranty information.

Volumetric Flow Monitor Quick Reference Guide

Battery Life Indicator

Change Batteries ONLY when screen is dormant and NO water is flowing through the flow meter.



Device Ready / Start: Display ON & meter shows 84,480 gallons remaining

Gallons Count / Flow Icon displayed only when water is flowing.

End of Filter Life Alert: Display Flashes "0 gal" Plus Audible Alarm

DISPLAY / RESET

Display: Press for 1 second anytime the display is dormant to view current gallons remaining.

Reset: End of filter life, replace filter. Press & hold for 6 seconds to reset to full capacity (84,480 gallons).

Volumetric Flow Monitor Quick Reference Guide

1



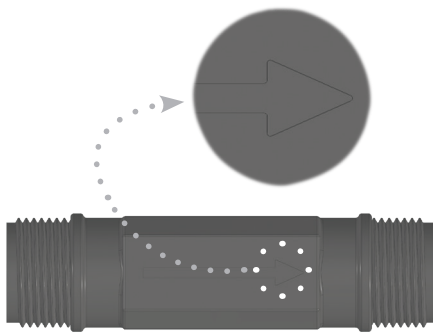
Insert Batteries

3



- a. Add double sided tape to mounting bracket and mount to desired area.
- b. Connect cable to flow meter.

2



Install the flow meter on the filtered water outlet with arrow pointing in direction of flow.

Limited Warranty: Watts (the "Company") warrants each product to be free from defects in material and workmanship under normal usage for a period of one year from the date of original shipment. In the event of such defects within the warranty period, the Company will, at its option, replace or recondition the product without charge.

THE WARRANTY SET FORTH HEREIN IS GIVEN EXPRESSLY AND IS THE ONLY WARRANTY GIVEN BY THE COMPANY WITH RESPECT TO THE PRODUCT. THE COMPANY MAKES NO OTHER WARRANTIES, EXPRESS OR IMPLIED. THE COMPANY HEREBY SPECIFICALLY DISCLAIMS ALL OTHER WARRANTIES, EXPRESS OR IMPLIED, INCLUDING BUT NOT LIMITED TO THE IMPLIED WARRANTIES OF MERCHANTABILITY AND FITNESS FOR A PARTICULAR PURPOSE.

The remedy described in the first paragraph of this warranty shall constitute the sole and exclusive remedy for breach of warranty, and the Company shall not be responsible for any incidental, special or consequential damages, including without limitation, lost profits or the cost of repairing or replacing other property which is damaged if this product does not work properly, other costs resulting from labor charges, delays, vandalism, negligence, fouling caused by foreign material, damage from adverse water conditions, chemical, or any other circumstances over which the Company has no control. This warranty shall be invalidated by any abuse, misuse, misapplication, improper installation or improper maintenance or alteration of the product.

Some States do not allow limitations on how long an implied warranty lasts, and some States do not allow the exclusion or limitation of incidental or consequential damages. Therefore the above limitations may not apply to you. This Limited Warranty gives you specific legal rights, and you may have other rights that vary from State to State. You should consult applicable state laws to determine your rights. **SO FAR AS IS CONSISTENT WITH APPLICABLE STATE LAW, ANY IMPLIED WARRANTIES THAT MAY NOT BE DISCLAIMED, INCLUDING THE IMPLIED WARRANTIES OF MERCHANTABILITY AND FITNESS FOR A PARTICULAR PURPOSE, ARE LIMITED IN DURATION TO ONE YEAR FROM THE DATE OF ORIGINAL SHIPMENT.**



USA: T: (978) 689-6066 • F: (978) 975-8350 • Watts.com

Canada: T: (888) 208-8927 • F: (905) 481-2316 • Watts.ca

Latin America: T: (52) 55-4122-0138 • Watts.com

Manual de instalación, operación y mantenimiento

Big Bubba® Model BB-S100

Una solución completa de sistema para todo el hogar de reducción del plomo, PFOA/PFOS, quistes, y el sabor y olor a cloro



Certificado por IAPMO R&T según las normas NSF y del ANSI 42 y 53 para la disminución de afirmaciones verificadas y corroboradas por los datos de pruebas como se especifica en la hoja de datos de rendimiento. El sistema también está certificado según las norma CSA B483.1 y la norma 372 de la NSF y el ANSI para el cumplimiento de la norma sin plomo.

¡Felicidades por su compra de la solución completa de sistema para todo el hogar Watts BB-S100! Ha hecho una gran elección para proteger su hogar contra el plomo, PFOA/PFOS, quistes, y el sabor y olor a cloro. Este sistema es eficaz contra numerosos contaminantes y está cargado con características que incluyen un único cartucho filtrante reemplazable de alta capacidad calificado para 84 480 galones (319 792 l) y un sistema de monitoreo de flujo volumétrico con alerta de cambio del cartucho filtrante. El sistema BB-S100 utiliza la robusta carcasa de filtro Watts Big Bubba®, un ícono de confianza del sector de la filtración de agua, por lo que puede confiar en que su sistema será duradero y fácil de mantener.

¡Gracias!

El equipo de Watts

La contaminación del agua potable con plomo y PFOA/PFOS es una preocupación importante de muchos consumidores por los problemas de salud que pueden ocasionar. Según la USEPA, el plomo puede causar problemas de comportamiento, aprendizaje y bajo coeficiente intelectual en los niños, así como problemas renales y cardiovasculares en adultos. Aunque los riesgos asociados con los productos químicos PFAS aún son ampliamente desconocidos, los estudios USEPA indican que la exposición a PFOS y PFOA (los productos químicos más producidos y estudiados) puede tener repercusiones reproductivas y de desarrollo, hepáticas y renales, e inmunológicas, así como causar tumores en animales de laboratorio.

Introducción

⚠ ADVERTENCIA



Lea este manual **ANTES** de utilizar el equipo.
No leer y seguir toda la información de seguridad y uso puede provocar la muerte, lesiones personales graves, daños a la propiedad o daños al equipo.



Guarde este Manual para consultas posteriores.

Si tiene dudas sobre la instalación de su sistema Watts Filter, póngase en contacto con un representante de Watts o consulte a un plomero profesional.

Es necesario que lea detenidamente todas las instrucciones de instalación y la información de seguridad del producto antes de comenzar la instalación. **EL INCUMPLIMIENTO DE LAS INSTRUCCIONES ADECUADAS DE INSTALACIÓN Y MANTENIMIENTO PODRÍA OCASIONAR UN FALLO EN EL PRODUCTO QUE PUEDE CAUSAR DAÑOS A LA PROPIEDAD, LESIONES PERSONALES O LA MUERTE.** Watts no se hace responsable de los daños resultantes de una instalación y/o mantenimiento inadecuados. Los códigos locales de construcción o plomería pueden requerir modificaciones en la información proporcionada. Es obligatorio que consulte los códigos locales de construcción y plomería antes de realizar la instalación. Si la información no cumple con los códigos locales de construcción o plomería, se deben seguir los códigos locales. Guarde el manual para consultas posteriores.

Consulte los parámetros de funcionamiento incluidos para garantizar un uso adecuado con su suministro de agua.

Si este equipo, o cualquiera de sus piezas, se daña o necesita reparación, deje de usar el equipo y póngase en contacto con un técnico experimentado inmediatamente.

- Utilice únicamente soldadura y fundente sin plomo para conexiones de soldadura de estaño, según lo requieran los códigos estatales, provinciales y federales.
- Maneje todos los componentes del sistema con cuidado. No deje caer, arrastre ni invierta los componentes.
- Asegúrese de que el piso debajo del sistema esté limpio, nivelado y lo suficientemente fuerte para soportar el sistema mientras está en funcionamiento.
- Instale el sistema en un área protegida.
- No intente tratar agua a más de 125 °F (51 °C) con el sistema.
- Conecte siempre el sistema a la tubería principal de suministro de agua antes del calentador de agua.
- No exponga el sistema a temperaturas bajo cero. El agua congelada en el sistema causa daños en el equipo.
- No lo instale bajo la luz solar directa. Los rayos ultravioletas del sol pueden causar daños.
- Es posible que se requiera un cartucho filtrante desechable de 5 micrones como prefiltro de este sistema para evitar la obstrucción prematura del cartucho filtrante del sistema BB-S100 por sedimentos.

⚠ ADVERTENCIA

No lo utilice con agua microbiológicamente insegura o de calidad desconocida sin desinfección adecuada antes o después del sistema. El sistema certificado para la reducción de quistes se puede utilizar con aguas desinfectadas que pudieran contener quistes filtrables.

Índice

Descripción general	24
Especificaciones del equipo	24
Parámetros operativos y pautas para el agua de alimentación	24
Dimensiones y pesos	25
Caudal y caída de presión.	26
Precauciones de instalación	27
Contenido del sistema de filtración	27
Diagrama del sistema	27
Preparación del sistema para la instalación	28
Instalación	29
Procedimiento de inicio del sistema.	31
Funcionamiento del monitor de flujo volumétrico	31
Diagramas de instalación.	32
Procedimiento para reemplazar el cartucho filtrante	33
Piezas de repuesto	34
Solución de problemas	36
Hoja de datos de rendimiento	37
Guía de referencia rápida del monitor de flujo volumétrico.	38
Garantía limitada	40

⚠ PRECAUCIÓN

Pruebe el agua periódicamente para verificar que el sistema funciona satisfactoriamente.

Descripción general

Gracias por comprar esta solución de sistema de tratamiento de agua de calidad.

Su nuevo sistema está equipado con un cartucho filtrante de bloque de carbón de alta capacidad capaz de reducir el plomo, PFOA/PFOS, quistes, sedimentos, cloro y cloramina. Otra gran característica de este sistema es el monitor de flujo volumétrico que le avisa cuando es necesario reemplazar el cartucho filtrante en función del consumo de agua. El sistema de filtración de agua BB-S100 proporciona agua limpia, clara y de excelente sabor a toda su casa y posee una capacidad de filtración de 84 480 galones (319 792 l) para la reducción de plomo y PFOA/PFOS. El sistema está certificado para reducir el plomo (soluble e insoluble), PFOA/PFOS, quistes, y cloro.

Este sistema está diseñado para la instalación en el punto de entrada para el tratamiento de todo el hogar y para que sea fácil y cómodo de reparar.

Mantenimiento del sistema

Es importante cambiar el cartucho filtrante en el intervalo recomendado que se indica en este manual. Muchos contaminantes no se pueden detectar en el sabor. Además, otros malos sabores y olores pueden hacerse evidentes con el tiempo si el cartucho filtrante no se sustituye cuando es necesario.

Si tiene alguna otra pregunta, llame a nuestro servicio de atención al cliente (978) 689-6066 o a su representante de Watts.

Especificaciones del equipo

Este sistema de filtración de agua Watts es completo y autónomo, con el cartucho filtrante preinstalado en la carcasa del filtro. Se requiere cierto ensamblaje de luz para instalar adaptadores de plomería, monitor de flujo volumétrico y caudalímetro en línea. Revise las presiones de funcionamiento, las temperaturas y las limitaciones de química del agua para garantizar la compatibilidad y el rendimiento.

Parámetros operativos y pautas para el agua de alimentación

AVISO

La instalación debe cumplir con los reglamentos estatales y locales de plomería.

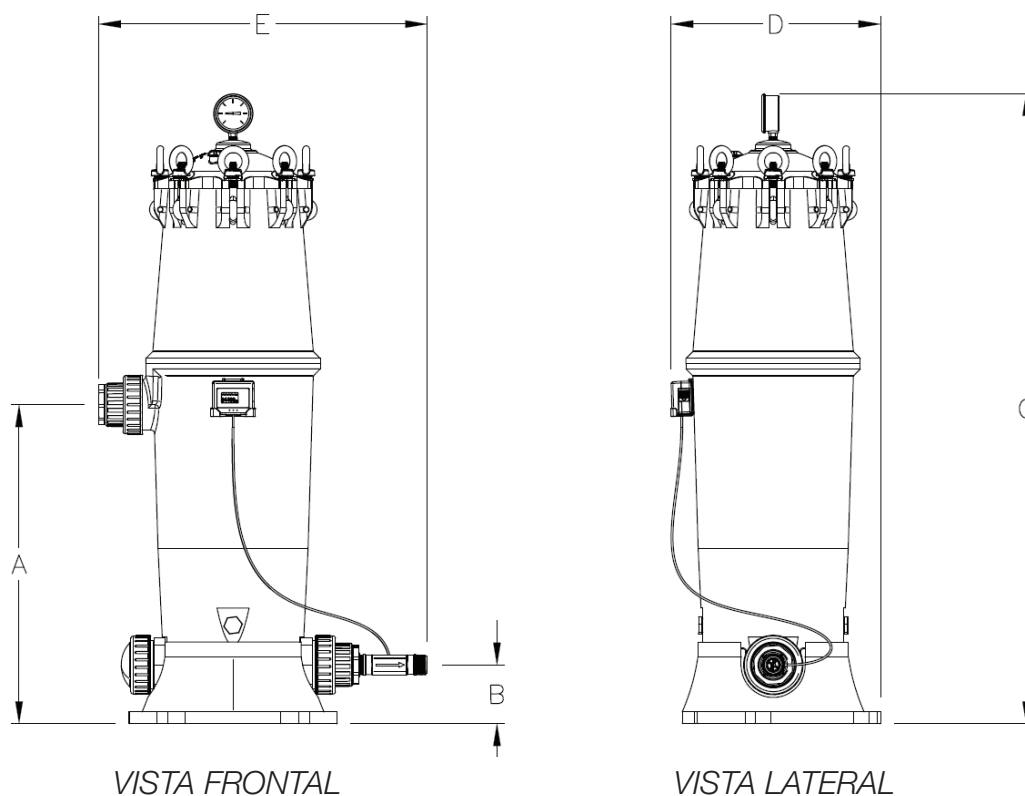
Revise las presiones de funcionamiento, las temperaturas y las limitaciones de química del agua para garantizar la compatibilidad.

- pH de 6.5 a 8.5
- Presión de agua mín./máx. de 25 psi a 125 psi/172 kPa a 861 kPa
- Temperatura mín./máx. del agua de 34 a 125 °F/de 1 a 52 °C (125 °F/52 °C a una presión máxima de 80 psi)
- Cloro libre (máximo) 2.0 mg/l
- Hierro (máximo) 0.3 mg/l
- Manganeso (máximo) 0.05 mg/l
- Aceite y H2S No se permiten en absoluto
- Turbidez/sedimento Prefiltre el agua de entrada con un filtro de sedimentos de 5 micrones si el sedimento/turbidez impide que el cartucho filtrante BB-S100 alcance su capacidad de volumen total

Requisitos eléctricos del sistema. 2 baterías alcalinas AA

Para obtener más información sobre las demás pautas, póngase en contacto con su representante de Watts. El agua que no cumpla con las pautas anteriores requerirá un tratamiento previo adicional.

Especificaciones del equipo



Dimensiones y pesos

N.º DE MODELO	DIMENSIONES										PESOS DE ENVÍO		PESO OPERATIVO	
	A		B		C*		D		E		lb	kg	lb	kg
	in	mm	in	mm	in	mm	in	mm	in	mm				
BB-S100	21.6	549	3.9	99	42.6	1082	14.2	361	22.3	566.4	64	29	123	56

*Deje un espacio libre de 36 in (91.44 cm) por encima de la parte superior del sistema para la sustitución del cartucho filtrante.
 Todas las dimensiones son +/- 1 in (2.54 cm) y están sujetas a cambios sin previo aviso.

Especificaciones del equipo

N.º. DE MODELO DEL SISTEMA BB-S100

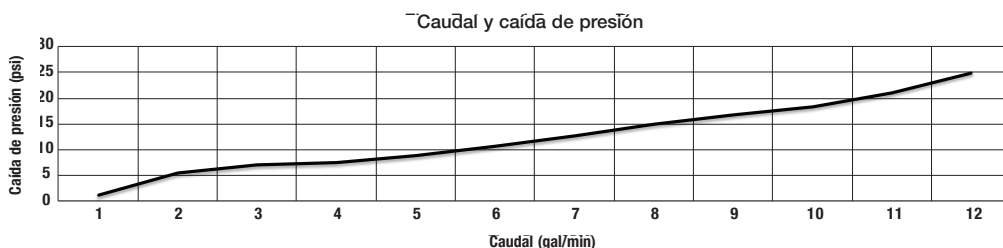
Temperatura de funcionamiento mínima/máxima*	De 34 a 125 °F/1 a 52 °C (125 °F/52 °C a una presión máxima de 80 psi)
Presión de funcionamiento mínima/máxima*	De 25 psi a 125 psi/172 kPa a 861 kPa
Caudal máximo continuo para la reducción de plomo y PFOA/PFOS**	4 gal/min (15 l/m)
Caudal máximo para la reducción de cloro***	13 gal/min (49.2 l/m)
Caudal máximo para la reducción de cloramina***	7 gal/min (26.4 l/m)
Tamaño/tipo de conexión de entrada y salida	NPT de 1 in (2.54 cm)
Tamaño/tipo de conexión del puerto de drenaje de la carcasa de agua sin filtrar	½ in (1.27 cm) FNPT
Material del cuerpo de la carcasa del filtro	Polipropileno reforzado con vidrio
Puerto del manómetro de entrada	Latón reforzado FNPT de 1/4 in (0.63 cm)
Manómetro de entrada incluido	Sí
Material de los pernos de giro (tapa)	Acero inoxidable 304
Material de junta tórica (tapa)	EPDM
Material de junta tórica (adaptadores de tuberías)	EPDM
Clasificación nominal en micrones	0.5 micrones nominales
Se incluye el kit de anclaje de la carcasa del filtro	Sí, anclajes para concreto de 3/8 in (0.95 cm) (X3)
Número de cartuchos filtrantes	1
Tipo de soporte de cartucho filtrante	Bloque de carbón de absorción de plomo
Material y color de la tapa de extremo del cartucho filtrante	Polipropileno reforzado con vidrio/verde
La tapa del extremo superior del cartucho filtrante incluye asa	Sí
Material de la junta tórica del cartucho filtrante (dual)	EPDM
Caída de presión máxima permitida del cartucho filtrante	Caída de 40 psi
Tipo de pantalla del monitor de flujo	LCD de 5 dígitos. Cuenta atrás volumétrica a "0"
Capacidad del monitor de flujo	84 480 galones (319 792 l) (reajutable/ no programable)
Indicación positiva de flujo	Sí. Ícono de onda de flujo en la pantalla
Alarma del monitor de flujo a los "0" galones restantes	Durante el flujo de agua: Imagen. Parpadeo de "0 galón" en la pantalla/audible. Alarma sonora
Fuente de alimentación del monitor de flujo	2 baterías alcalinas AA
Alarma de batería baja	Sí. Ícono visual de batería baja y alarma sonora
Tipo de caudalímetro	Medidor de flujo en línea de turbina
Tamaño y tipo de conexión del caudalímetro	1 in (2.54 cm) x 1 in (2.54 cm) MNPT
Material del cuerpo del caudalímetro	Polímero reforzado con vidrio

*Las temperaturas y presiones mínimas y máximas de funcionamiento indicadas anteriormente se aplican al sistema completo, así como a todos los componentes individuales, incluidos la carcasa del filtro, el cartucho filtrante y el monitor/medidor de flujo volumétrico.

** Consulte la sección Reducción de sustancias certificadas para obtener afirmaciones específicas sobre el flujo y la reducción.

***Las afirmaciones no han sido probadas ni certificadas por la IAPMO. Las declaraciones de rendimiento se basan en datos de pruebas internas de laboratorios y fabricantes independientes. El rendimiento real depende de la calidad del agua prefiltrada, los caudales, el diseño del sistema y la aplicación. Los resultados pueden variar. Consulte la sección Reducción de sustancias certificadas para obtener afirmaciones certificadas sobre el flujo de cloro y la reducción.

Caudal y caída de presión



Baja caída de presión

El sistema BB-S100 de Watts utiliza un gran cartucho filtrante de bloque de carbón de alta capacidad para garantizar el mayor grado de rendimiento, al tiempo que ofrece el caudal más alto posible con la menor caída de presión posible.

Prueba de caída de presión realizada en las instalaciones de Watts en Peoria, AZ, utilizando agua a aproximadamente 73 °F. Los resultados de la prueba reflejan el nuevo caudal del cartucho filtrante y el rendimiento de la caída de presión.

Precauciones de instalación

AVISO

- No instale el sistema en lugares en los que pudiera bloquear el acceso al calentador de agua, la llave de paso principal de agua, el medidor de agua o los paneles eléctricos.
- Instale el sistema en un lugar donde sea menos probable que se produzcan daños causados por el agua en caso de fugas.
- El sistema está diseñado para instalarse ÚNICAMENTE en la línea de agua fría. No utilice el suministro de agua caliente ni alimente el sistema con temperaturas de agua superiores a lo especificado en los parámetros de funcionamiento o podrían producirse daños en el sistema.
- No lo instale si sus líneas de agua son susceptibles a golpes de ariete. Antes de instalar el sistema, corrija los problemas de golpe de ariete.
- El sistema se debe usar con fuentes de agua municipales o de pozo adecuadamente tratadas y probadas periódicamente para garantizar condiciones de agua aptas y no adversas, lo que incluye la calidad bacteriológica segura.
- El sistema está diseñado para instalarse en interiores.
- El sistema de filtración debe protegerse contra la luz solar directa, la lluvia, la humedad, las temperaturas bajo cero, la escarcha, la nieve, el aguanieve y el hielo. La exposición a estos elementos puede dañar el sistema y provocar daños causados por el agua o averías en los componentes electrónicos.
- El sistema debe instalarse verticalmente y en una superficie plana y nivelada que sea lo suficientemente resistente como para soportar el peso del sistema mientras está en funcionamiento.
- Se recomienda la construcción de una derivación del sistema, incluidas las válvulas de entrada, salida y derivación, para facilitar el mantenimiento del sistema.
- El cartucho filtrante recomendado para su uso con este sistema tiene una capacidad de servicio limitada, tal como indica el monitor de flujo volumétrico. Puede producirse una reducción ineficaz de los contaminantes, cambios en el sabor, olores, color y/o flujo del agua filtrada si el cartucho filtrante no se reemplaza según sea necesario.
- Cerciórese de que la instalación cumpla con todas las leyes y reglamentos estatales y locales.
- El peso total de las tuberías y válvulas debe apoyarse en soportes para tubería o por otros medios.

Contenido del sistema de filtración

Asegúrese de que todos los elementos que se enumeran a continuación estén contenidos en la caja. Si falta alguno de los elementos, póngase en contacto con su representante de Watts o con el servicio de atención al cliente de Watts llamando al 978-689-6066 antes de la instalación.

- Carcasa del filtro
- Cartucho filtrante (está preinstalado de fábrica en el interior de la carcasa del filtro)
- Manómetro de entrada de agua
- Adaptadores de tuberías de 2 in (5 cm) de PVC (2 unidades)
- Juntas tóricas del adaptador de tuberías (2 unidades)
- Tuercas adaptadoras para tuberías (2 unidades)
- Bujes de enlace macho FNPT de PVC de 2 in (5 cm) X 1 in (2.54 cm) (2 unidades)
- Pantalla de monitor de flujo volumétrico y caudalímetro en línea de 1 in (2.54 cm)
- Pernos de anclaje para concreto de 3/8 in (0.95 cm) (3 unidades)

Diagrama del sistema



Identificación del diagrama

ELEMENTO	DESCRIPCIÓN
A	Carcasa del filtro
B	Cartucho filtrante de reducción de plomo/PFOA/PFOS/quistes/cloro
C	Adaptador de tuberías para conexión de agua de entrada
D	Conexión de agua de salida opcional
E	Manómetro de agua de entrada
F	Botón de alivio de presión
G	Monitor de flujo volumétrico y caudalímetro en línea de 1 in (2.54 cm)
H	Adaptador de tuberías de conexión de agua de salida
I	Bujes de enlace macho FNPT de PVC de 2 in (5 cm) X 1 in (2.54 cm) (2 unidades)
J	Conexión de agua de drenaje (conectada)
K	No se muestran los pernos de montaje del anclaje (X3)

Instalación

Herramientas recomendadas para la instalación

- Navaja pequeña para cortar la cinta de la caja
- Taladro percutor de velocidad variable y broca de concreto de $\frac{3}{8}$ in (0.95 cm) (si se instala en concreto)
- Llave de tuercas ajustable
- Herramientas generales de plomería para su tipo específico de plomería
- Cinta de teflón
- Lubricante de silicón para juntas tóricas

Preparación del sistema para la instalación

AVISO

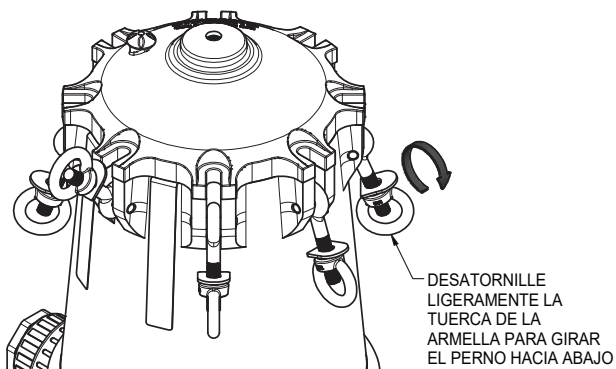
El modelo BB-S100 de Watts está empaquetado de fábrica con un embalaje interior para mayor protección. Este embalaje interno debe retirarse del sistema antes de comenzar la instalación.

Paso 1. Retire las bandas de embalaje de la caja del sistema y abra las solapas superiores de la caja. Retire la almohadilla de embalaje de espuma negra.

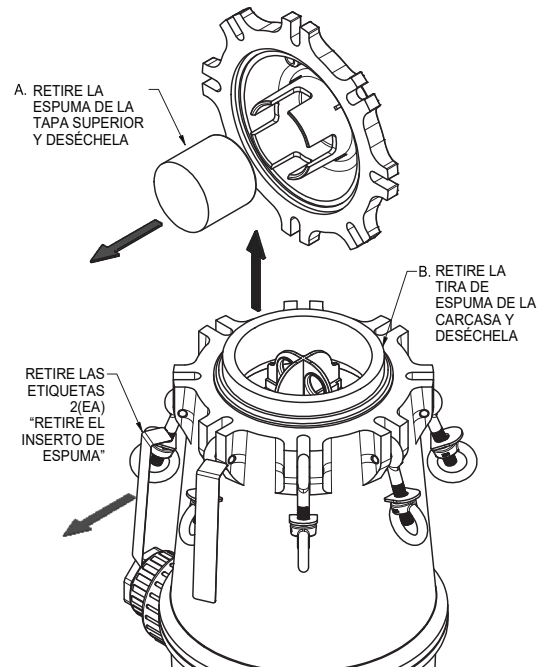
Paso 2. Retire la bandeja superior de embalaje de cartón y localice el manómetro, el monitor de flujo con la caja del caudalímetro marcada como "BB-M100", el manual del sistema, los adaptadores para tuberías de PVC de 2 in (5 cm) (2 unidades), la junta tórica del adaptador para tuberías (2 unidades), los bujes para tuberías de enlace macho FNPT de PVC de 2 in (5 cm) X 1 in (2.54 cm) (2 unidades) y los pernos de montaje del anclaje (3 unidades) todos empaquetados dentro de la bandeja de cartón. Guarde estos componentes en un lugar seguro para los pasos de instalación posteriores.

Paso 3. Levante la caja del sistema para retirarla del sistema de filtración. A continuación, levante el sistema de filtración de su caja inferior y colóquelo verticalmente en el piso.

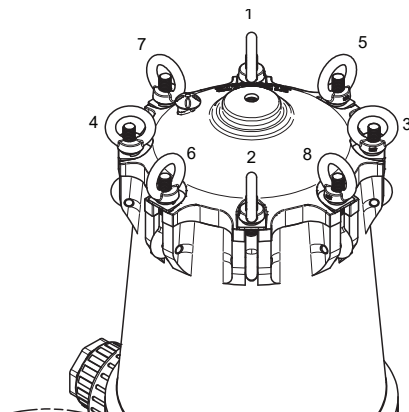
Paso 4. Tenga en cuenta las dos etiquetas de instrucciones en la parte superior de la carcasa del filtro que indican al instalador que "Retire el embalaje de espuma" ubicado dentro de la carcasa del filtro. Para retirar la tapa de la carcasa del filtro, afloje todas las tuercas de los pernos de argolla en sentido contrario a las manecillas del reloj, permita que los pernos se balanceen y descansen hacia abajo, luego levante la tapa de la carcasa del filtro.



Paso 5. Retire las piezas de embalaje de espuma: A. de la tapa de la carcasa del filtro y B. de la parte superior del cartucho filtrante. Para retirar la pieza de espuma B, puede ser necesario retirar el cartucho filtrante girándolo a media rotación en sentido contrario de las manecillas del reloj y, luego, levantando el cartucho filtrante. Una vez expuesta, retire la pieza de espuma B. Para obtener más información sobre la extracción del cartucho filtrante, consulte el Procedimiento de sustitución del cartucho filtrante en este manual.



Paso 6. Asegúrese de que la junta tórica de la tapa de la carcasa del filtro esté correctamente asentada en la parte superior de la carcasa del filtro y vuelva a instalar la tapa de la carcasa del filtro. Gire las argollas hacia arriba y apriete las tuercas con la mano en un patrón de estilo opuesto. Continúe apretando las tuercas en este patrón opuesto hasta que todas estén completamente apretadas a mano.



Instalación

Nota: Localice los componentes identificados en el paso 2 anterior "Preparación del sistema para la instalación" **para su uso en esta sección.**

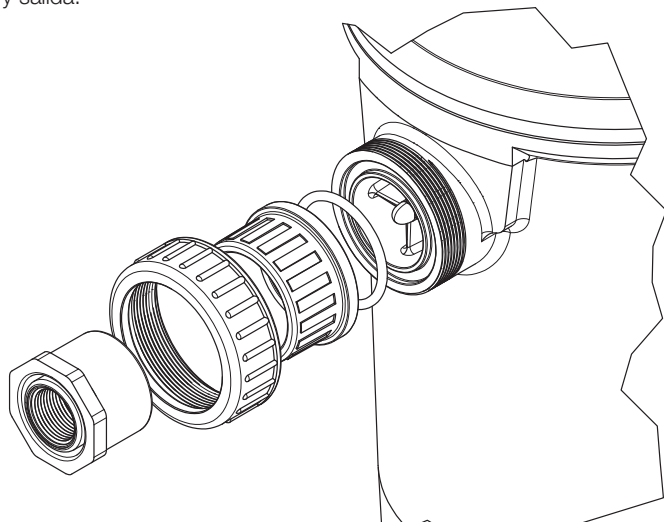
Consulte la sección Diagramas de instalación en la página 12 para obtener más información.

Paso 1. El sistema debe instalarse en posición vertical. Coloque el sistema en la ubicación deseada. Asegúrese de que la superficie de montaje esté nivelada y sea lo suficientemente resistente como para soportar el peso del sistema mientras esté en funcionamiento.

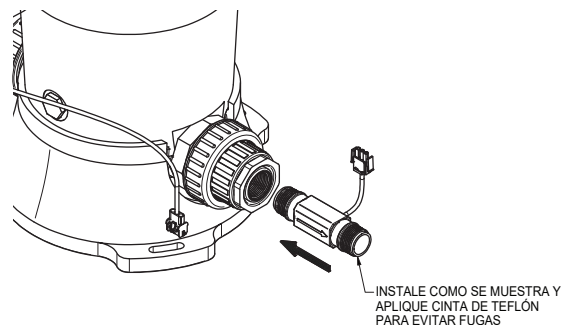
Paso 2. Prepare la carcasa del filtro para la instalación desatornillando y retirando primero las tuercas de unión de los puertos de entrada y salida con un movimiento en sentido contrario al de las manecillas del reloj. Instale la junta tórica del adaptador de tuberías en la ranura de la junta tórica de cada puerto de entrada y salida, conecte los adaptadores de las tuberías y vuelva a colocar las tuercas de unión apretándolas únicamente con la mano. **NO** utilice llaves. **NO** utilice sellador de roscas de ningún tipo en las roscas de unión. Use solo lubricante de silicón en las juntas tóricas.

Nota: El sistema tiene un puerto de salida opcional para adaptarse a diferentes disposiciones de plomería. El adaptador de tuberías de salida se puede reubicar en el puerto de salida opcional si así lo desea.

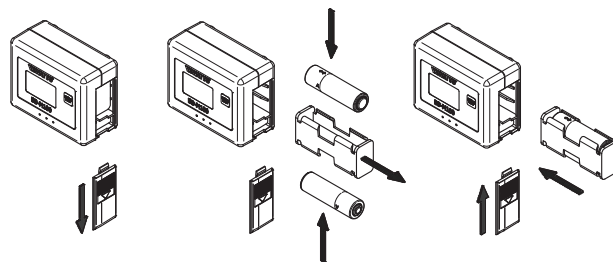
Paso 3. Con un sistema de sellado y enlace aprobado para aplicaciones de plomería de agua potable de PVC presurizado, instale los bujes de tubería de enlace macho FNPT de PVC de 2 in (5 cm) X 1 in (2.54 cm) en los adaptadores de tuberías de entrada y salida.



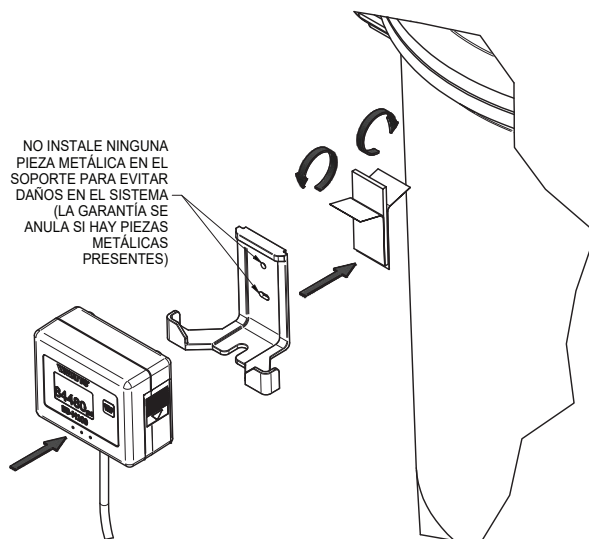
Paso 4. Aplique cinta de teflón en la rosca de entrada del caudalímetro en línea de 1 in (2.54 cm). Una flecha en el caudalímetro indica la dirección del flujo. Aplique cinta de teflón a la rosca de salida del caudalímetro de 1 in (2.54 cm) si así lo requiere el método de plomería de salida utilizado. Inserte el caudalímetro en el puerto de tubería de salida del sistema con la flecha apuntando en la dirección del flujo. Apriete únicamente con la mano, en el sentido de las manecillas del reloj, **NO** utilice llaves.



Paso 5. Inserte 2 baterías alcalinas AA en el monitor de flujo. El monitor se encenderá una vez que se instalen las baterías.

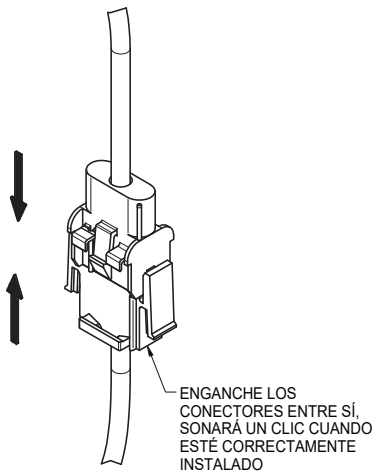


Paso 6. Aplique cinta de doble cara al soporte de montaje del monitor de flujo. Mantenga presionado el soporte de sujeción contra la ubicación de montaje deseada durante 10 segundos. La superficie de montaje debe estar limpia y seca. Inserte el monitor de flujo en el soporte de montaje.

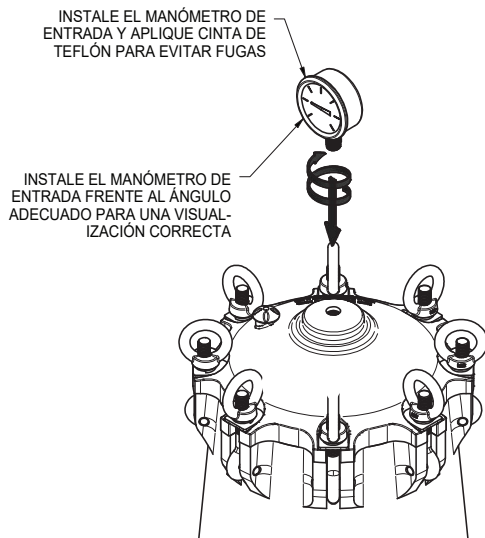


Instalación

Paso 7. Conecte el cable del monitor de flujo al cable del caudalímetro.



Paso 8. Aplique cinta de teflón a las roscas del manómetro e insértela en el puerto del manómetro de la tapa de la carcasa del filtro. Utilice una llave para apretar en el sentido de las manecillas del reloj, NO gire la caja del manómetro.



Paso 9. Cierre el suministro principal de agua al hogar y abra una llave interna, tanto fría como caliente para aliviar cualquier presión dentro del sistema de tuberías.

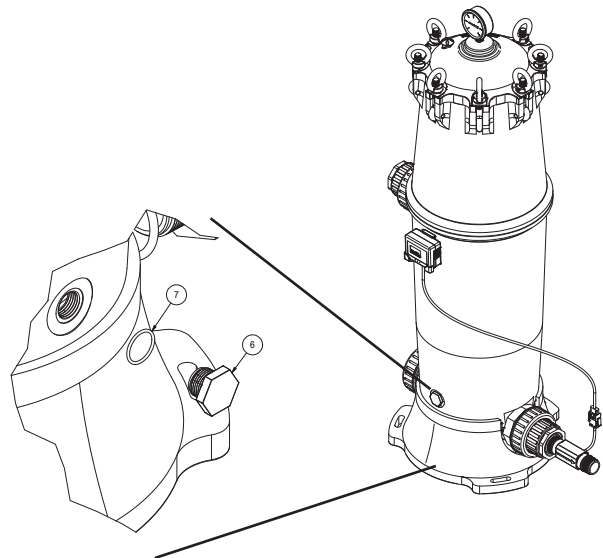
Paso 10. Apague los calentadores.

Paso 11. Construya la tubería de entrada desde una fuente de agua fría doméstica y conéctela al puerto de tubería de entrada en el sistema. Incluya una válvula de aislamiento de agua de entrada (suministrada por el usuario) en la línea de suministro y ciérrela.

Paso 12. Construya la tubería de salida desde el puerto de salida del caudalímetro del sistema y conéctela a la línea de suministro que ingresa en la casa. Incluya una válvula de aislamiento de agua de salida (suministrada por el usuario) en la línea de salida y ciérrela. Instale también un manómetro de salida en esta línea.

Paso 13. Construya una tubería de derivación alrededor del sistema. Incluya una válvula de derivación (suministrada por el usuario) en la línea de derivación y ciérrela.

Paso 14. Retire el tapón del puerto de drenaje del sistema NPT de 1/2 in (1.27 cm) (elementos N.º 6 y N.º 7) de la carcasa del filtro en sentido contrario a las manecillas del reloj.



Construya una línea de drenaje con válvula de cierre utilizando tuberías de PVC de 1/2 in (1.27 cm) (suministradas por el usuario) para que el sistema pueda drenar el agua durante los cambios del cartucho filtrante. La línea de desagüe debe dirigirse a un receptáculo de drenaje (es decir, hacia un desagüe en el piso o tubería de drenaje) donde el agua drenada no cause lesiones personales ni daños materiales. Cierre la válvula de drenaje. Siga todos los reglamentos de construcción locales para la construcción de la línea de drenaje. Deje un espacio de aire de al menos 4 in (10 cm) al final de la línea de drenaje. Consulte la sección de Diagramas de instalación en la página 12 para obtener más información.

Paso 15. Con un taladro y una broca de 3/8, ancle el sistema al piso con los accesorios de montaje suministrados. Si la superficie de montaje es diferente del concreto, el instalador debe proporcionar los accesorios de montaje adecuados.

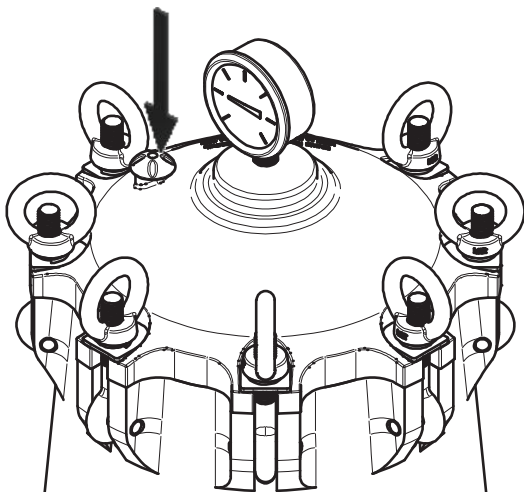
Paso 16. Para instalaciones donde el sistema se instala dentro de un sistema de tuberías de metal, instale una correa de unión de metal a través de las tuberías de entrada y salida de metal para mantener la continuidad eléctrica.

Procedimiento de inicio del sistema

Paso 1. Encienda el suministro de agua principal a la casa.

Paso 2. Abra la válvula de aislamiento de entrada a la posición de apertura de ¼.

Paso 3. Presione el botón rojo de alivio de presión situado en la parte superior de la tapa de la carcasa del filtro para purgar el aire del sistema mientras se llena de agua. Deje de presionar el botón de alivio de presión una vez que sea visible el flujo de agua del alivio de presión.



Paso 4. Abra completamente las válvulas de aislamiento de entrada y salida y permita que el agua fluya desde el lado caliente y frío de los grifos hasta que se haya purgado todo el aire del sistema de tuberías.

Paso 5. Verifique si hay fugas y repárelas según sea necesario.

Paso 6. Cierre el grifo del lado caliente y permita que el agua fluya del grifo del lado frío a pleno durante 10 minutos para vaciar correctamente el nuevo cartucho filtrante para prepararlo para su uso. Cierre el lado frío del grifo.

Paso 7. Encienda los calentadores de agua
El sistema ahora está listo para su uso.

AVISO

Revise con frecuencia durante las siguientes 24 horas para asegurarse de que no haya fugas

Funcionamiento del monitor de flujo volumétrico

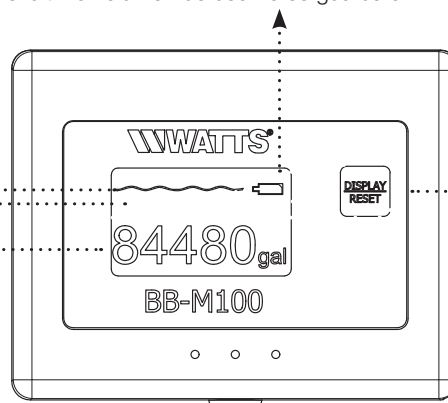
El monitor de flujo y el caudalímetro en línea que incluye este sistema es un dispositivo de flujo volumétrico que registra el uso del volumen de agua y emite una alerta cuando el cartucho filtrante ha alcanzado su capacidad calificada de galones.

Indicador de onda de flujo: indica el flujo de agua a través del sistema.

Indicador de batería baja: el ícono de alerta se ilumina cuando la carga de la batería es baja y sonará la alarma. Sustituya las baterías para eliminar las condiciones de alarma.

⚠ ADVERTENCIA

Cambie las baterías ÚNICAMENTE cuando la pantalla esté inactiva y NO fluya agua a través del caudalímetro. Si el agua fluye y la pantalla está encendida cuando se cambian las baterías, el último volumen de uso no se guardará.



Compartimento de baterías: 2 baterías alcalinas AA.

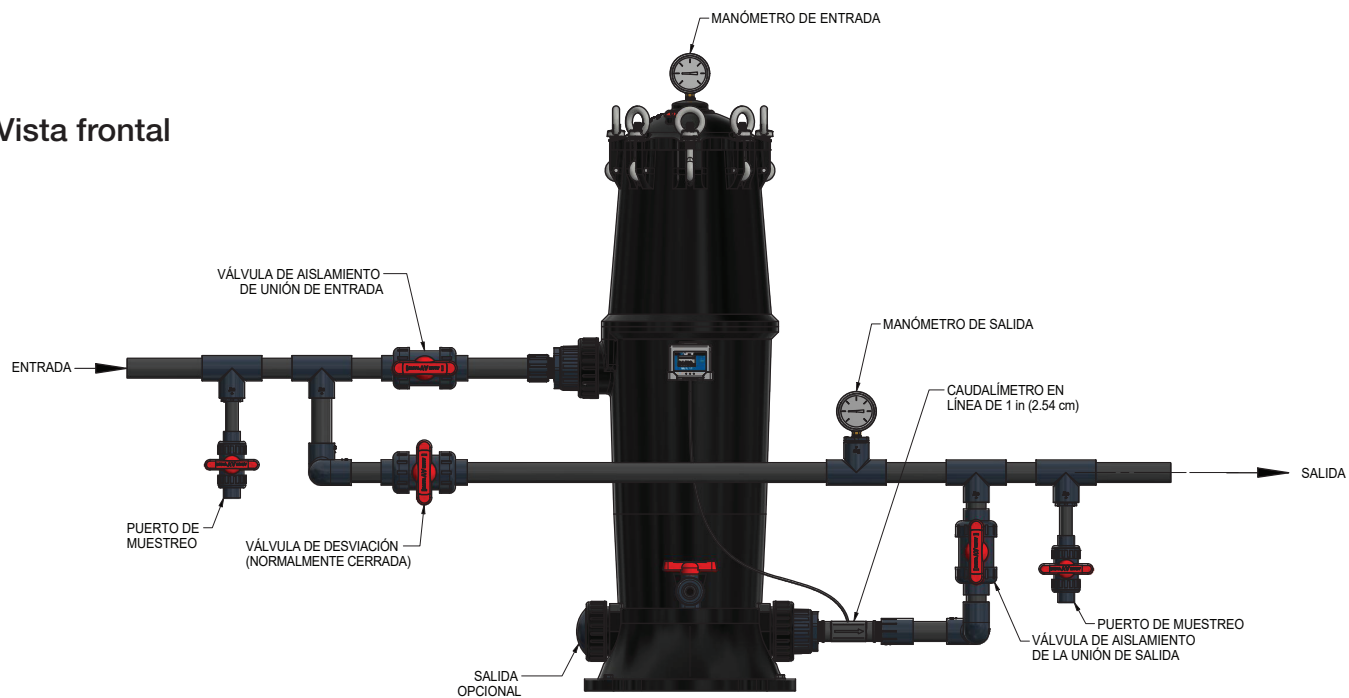
Botón de visualización/reinicio: se puede presionar durante 1 segundo mientras la pantalla está inactiva para ver los galones restantes. Mantenga presionado durante 6 segundos para restablecer la pantalla a 84 480 galones (319 792 l) y para borrar la alarma después de cambiar el cartucho filtrante.

Volumen restante: cuenta atrás desde la capacidad total hasta los "0" galones. La capacidad total es de 84 480 galones (319 792 l). Sonará una alarma y la pantalla parpadeará en "0 galones" cuando se requiera cambiar el cartucho filtrante.

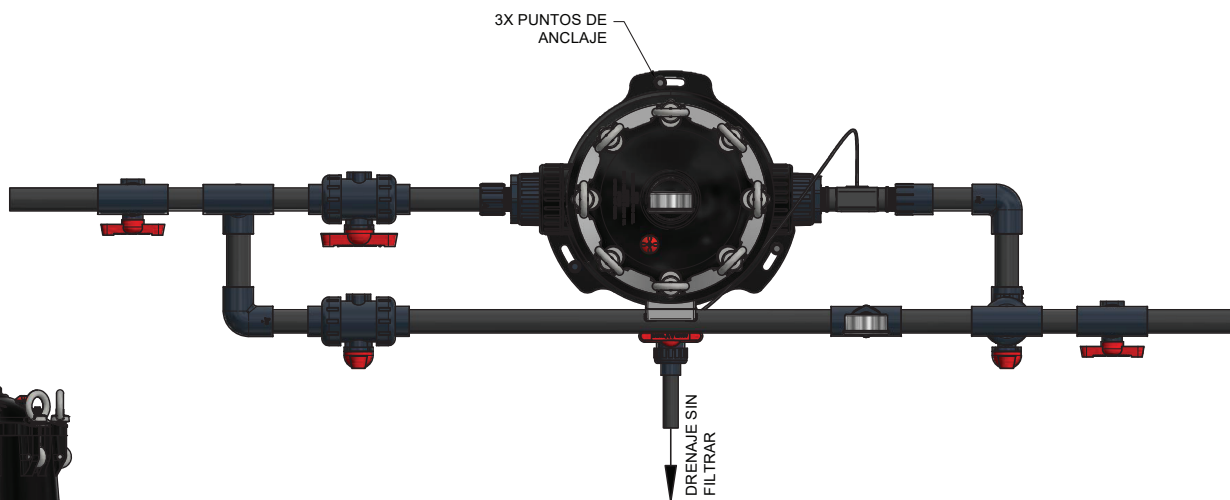
Pantalla de visualización: se activa únicamente cuando el agua fluye a través del sistema. La pantalla está inactiva después de 10 segundos sin flujo de agua.

Diagramas de instalación

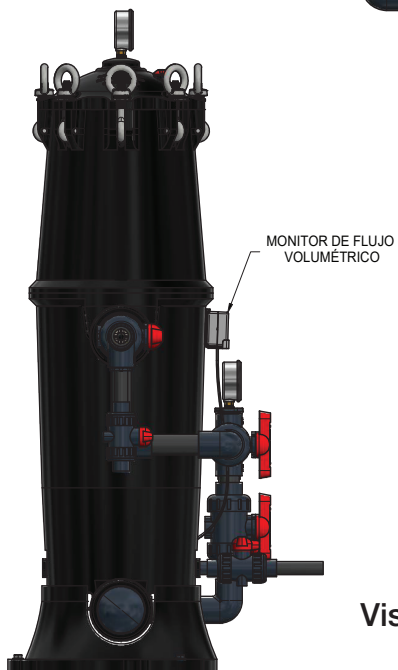
Vista frontal



Vista superior



Vista lateral



Procedimiento para reemplazar el cartucho filtrante

Cartucho filtrante de carbón de repuesto:
Número de modelo BB-C100
Código de pedido 7100980

Reemplace el filtro cuando suene la alerta de capacidad del monitor de flujo y queden “0” galones en el monitor de flujo

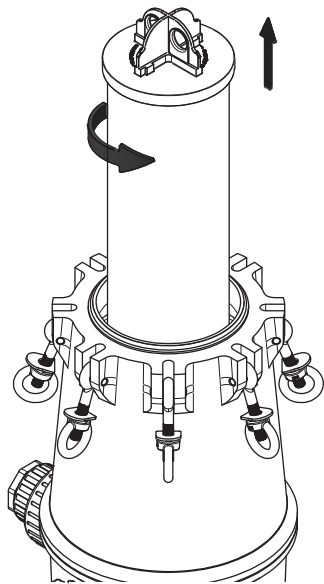
Paso 1. Cierre las válvulas de aislamiento de entrada y salida y abra un grifo interior, tanto en el lado caliente como en el lado frío, para aliviar cualquier presión dentro del sistema de tuberías.

Paso 2. Presione el botón rojo de alivio de presión en la parte superior de la tapa de la carcasa del filtro hasta que el agua deje de fluir desde el botón y el manómetro en la parte superior de la tapa de la carcasa del filtro muestre “0” PSI.

Paso 3. Abra la válvula de drenaje y drene completamente el agua de la carcasa del filtro. La línea de desagüe debe dirigirse a un receptáculo de drenaje (es decir, hacia un desagüe en el piso o tubería de drenaje) donde el agua drenada no cause lesiones personales ni daños materiales.

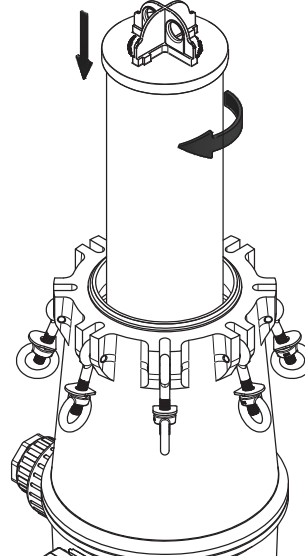
Paso 4. Afloje las tuercas de las armellas en la parte superior de la carcasa del filtro y retire la tapa.

Paso 5. Para extraer el cartucho filtrante de la carcasa del filtro, sujete el asa de la parte superior del cartucho filtrante, gírela en sentido contrario al de las manecillas del reloj y, a continuación, levante el cartucho filtrante para sacarlo de la carcasa.



Paso 6. Inspeccione el interior de la carcasa del filtro en busca de residuos y límpielo según sea necesario.

Paso 7. Extraiga el nuevo cartucho filtrante de la bolsa de embalaje. Sujete el asa en la parte superior del cartucho filtrante e inserte el cartucho filtrante en la carcasa del filtro. Baje el cartucho filtrante en la carcasa del filtro, empujándolo hacia abajo mientras lo gira en el sentido de las manecillas del reloj hasta que el cartucho filtrante se detenga.



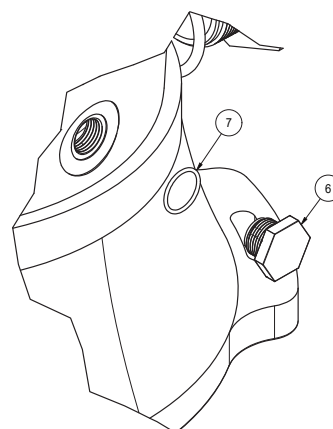
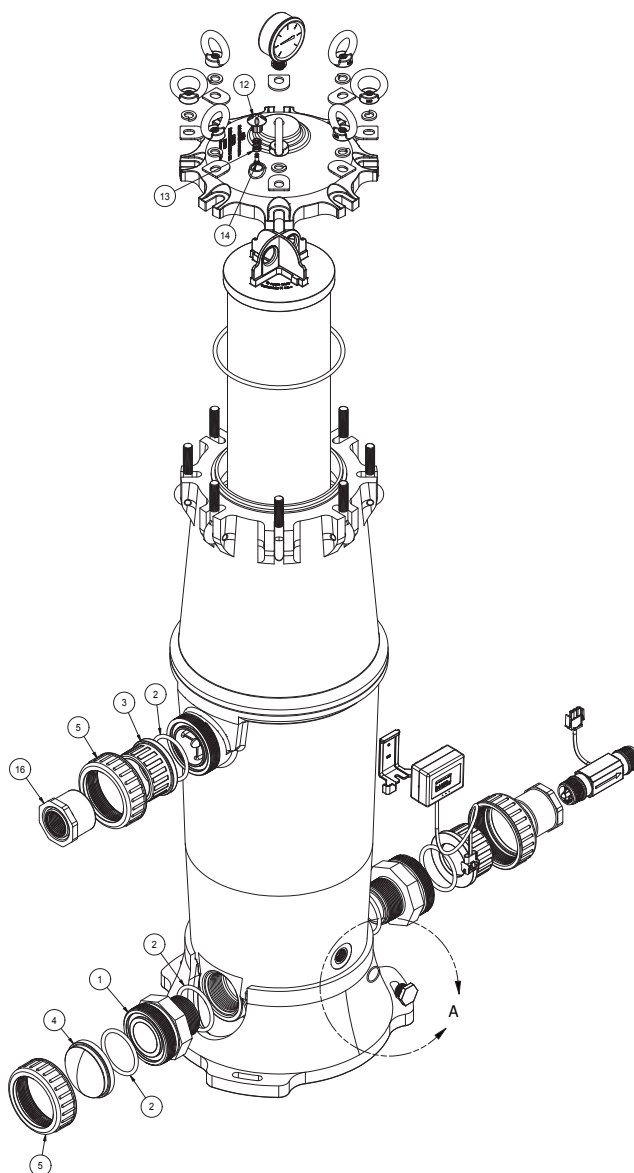
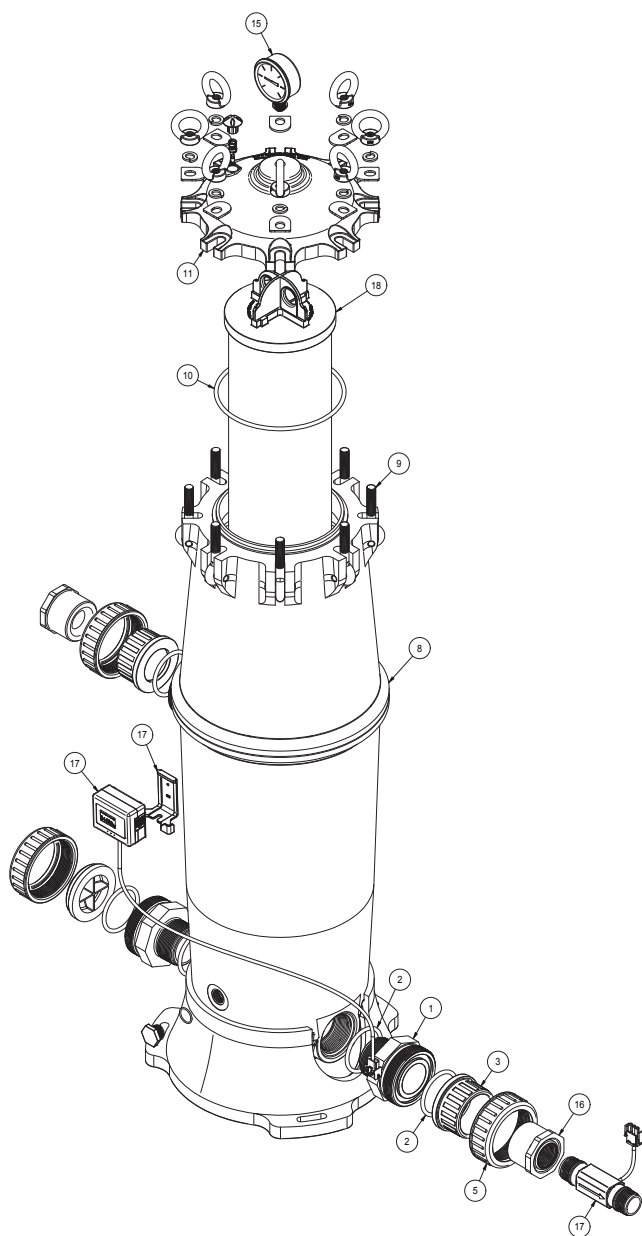
Paso 8. Asegúrese de que la junta tórica de la tapa esté correctamente asentada en la parte superior de la carcasa del filtro, y vuelva a instalar la tapa de la carcasa del filtro (reemplace la junta tórica si está dañada, código de pedido 68100619). Gire las argollas hacia arriba y apriete las tuercas con la mano en un patrón opuesto. Continúe apretando las tuercas en este patrón opuesto hasta que todas estén completamente apretadas a mano. (Consulte la sección Preparación del sistema para el Paso 6 de la instalación)

Paso 9. Mantenga presionado el botón DISPLAY/RESET en el monitor de flujo durante 6 segundos para restablecer la capacidad restante de galones a 84 480 galones (319 792 l).

Siga los pasos 2 al 6 del Procedimiento de inicio del sistema para preparar su funcionamiento.

El sistema ahora está listo para su uso.

Piezas de repuesto



DETALLE A

Piezas de repuesto

ELEMENTO N.º	CÓDIGO DE PEDIDO	DESCRIPCIÓN
1	68100610	Acoplador de la carcasa del filtro
2	68100611	Junta tórica para acoplador de la carcasa del filtro
3	68100608	Adaptador de tuberías de 2 in (5 cm) de PVC gris
4	68100614	Tapa del acoplador de la carcasa del filtro de 2 in (5 cm) de PVC Gris
5	68100618	Tuerca de unión del adaptador de tuberías
6	68100613	Tapón de drenaje de 1/2 in (1.77 cm) de NPT
7	68100612	Junta tórica para tapón de drenaje
8	7100979	La carcasa del filtro de repuesto BB-H100 incluye adaptadores de tuberías, tuercas de unión, manómetro, tapa de la carcasa del filtro y juntas tóricas
9	68100615	Armella
10	68100619	Junta tórica de la tapa de la carcasa del filtro
11	68100616	Tapa de la carcasa del filtro: No incluye manómetro
12	68100620	Botón rojo de alivio de presión
13	68100622	Resorte para botón de alivio de presión
14	68100623	Vástago de pasador de bloqueo rojo para botón de alivio de presión
15	68106170	Manómetro 0-200 PSI 1/4 in (0.63 cm) montaje inferior
16	7100978	Bujes para tuberías de enlace macho FNPT de PVC de 2 in (5 cm) X 1 in (2.54 cm)
17	7100977	Monitor de flujo volumétrico modelo N.º BB-M100 con caudalímetro en línea de 1 in (2.54 cm) y capacidad de 84 480 galones (319 792 l)
18	7100980	Cartucho de filtro de bloque de carbono modelo N.º BB-C100 para la reducción de plomo, PFOA/PFOS, quistes, así como el sabor y el olor a cloro

Para obtener componentes de repuesto y el servicio, póngase en contacto con el concesionario/distribuidor de Watts que instaló el sistema. Si no puede contactar al vendedor/distribuidor, póngase en contacto con el servicio de atención al cliente de Watts al 978-689-6066.

Solución de problemas

SOLUCIÓN DE PROBLEMAS		
PROBLEMA	CAUSA POSIBLE	ACCIÓN CORRECTIVA
Contaminantes presentes en el agua de salida	El cartucho filtrante ha excedido su capacidad	Reemplace el cartucho filtrante y reinicie el monitor de flujo
	La junta tórica del cartucho filtrante está dañada	Reemplace el cartucho filtrante y reinicie el monitor de flujo
	El cartucho filtrante está roto o defectuoso	Reemplace el cartucho filtrante y reinicie el monitor de flujo
	La válvula de derivación está abierta	Cierre la válvula de derivación
	El sistema es demasiado pequeño para la aplicación	Asegúrese de que el flujo de agua no supere los sistemas calificados de gal/min
El monitor de flujo volumétrico no hace un seguimiento del consumo de agua	Las baterías deben ser reemplazadas	Reemplace las baterías, reemplace el cartucho filtrante y reinicie el monitor de flujo*
	Residuos extraños en el caudalímetro	Limpie los residuos extraños del medidor, reemplace el cartucho filtrante y reinicie el monitor de flujo
	El cable del monitor de flujo no está conectado correctamente al medidor	Verifique la conexión del cable, reemplace el cartucho filtrante y restablezca el monitor de flujo
	El caudalímetro está instalado al revés	Instale el caudalímetro con la flecha apuntando en la dirección del flujo, reemplace el cartucho filtrante y restablezca el monitor de flujo
	La válvula de derivación está abierta	Cierre la válvula de derivación
La alerta no se borra al reiniciarse el monitor de flujo	Monitor de flujo defectuoso	Reemplace el monitor de flujo y reemplace el cartucho filtrante
	La batería tiene poca carga	Reemplace las baterías*
Fuga de agua en el adaptador de las tuberías de entrada/salida	La junta tórica está dañada o no está asentada correctamente	Reemplace la junta tórica del adaptador de tuberías
	Las tuercas de unión están flojas	Apriete completamente a mano las tuercas de unión
Fuga de agua en la tapa de la carcasa del filtro	La junta tórica está dañada o no está asentada correctamente	Reemplace la junta tórica de la tapa de la carcasa del filtro
	Las tuercas de las armellas están flojas	Apriete completamente a mano las tuercas de las armellas en un patrón opuesto
Fugas de agua del botón de alivio de presión	Junta tórica dañada o residuos extraños en el conjunto de alivio de presión	Limpie la válvula de alivio de presión y replácela si es necesario
Baja presión en la salida	Cartucho filtrante obstruido con sedimentos	Instale un filtro de presedimentación de 5 micrones antes del sistema, reemplace el cartucho filtrante y reinicie el monitor de flujo
	El sistema es demasiado pequeño para la aplicación	Asegúrese de que el flujo de agua no supere los gal/min calificados por el sistema
Agua blanca o de color lechoso del sistema	Aire en el sistema de filtración	Purgue completamente el aire del sistema con el botón de alivio de presión y deje correr el agua a través del sistema hasta que el agua salga limpia

ADVERTENCIA

*Reemplace las baterías ÚNICAMENTE cuando la pantalla esté inactiva y NO fluya agua a través del caudalímetro. Si el agua fluye y la pantalla está encendida cuando se cambian las baterías, el último volumen de uso no se guardará.

Hoja de datos de rendimiento

Reducción de sustancias certificada

PIEZAS DE REPUESTO RECOMENDADAS E INTERVALO DE REPLAZO:

En función de las condiciones del agua de alimentación entrante, la capacidad de galones de reemplazo puede variar.

Descripción

Solución completa para el hogar Big Bubba BB-S100 para la reducción del plomo, PFOA/PFOS, quistes, y el sabor y olor a cloro

Modelo del sistema/Número de pieza

BB-S100/7100976

Capacidad

84 480 galones/319 792 litros

Cartucho filtrante de repuesto

Cartucho filtrante de carbón de repuesto para la reducción de plomo, PFOA/PFOS, quistes, así como el sabor y el olor a cloro Número de modelo BB-C100/Número de pieza 7100980

Temperatura mínima/máxima del agua de funcionamiento

de 34 a 125 °F/1 a 52 °C (125 °F/52 °C a una presión máxima de 80 psi)

Presión de agua mínima/máxima de

25 psi a 125 psi/1.75 kg/cm² a 8.78 kg/cm²

Flujo de servicio calificado

4 gal/min (15 l/min)

Caída de presión del sistema a un flujo de servicio calificado de

10 psig

El sistema BB-S100 ha sido certificado por la IAPMO R&T según las normas NSF y del ANSI 42 y 53 para la reducción de sustancias enumeradas a continuación. La concentración de las sustancias señaladas en el agua que ingresa al sistema se redujo a una concentración menor o igual al límite permitido para el agua que sale del sistema, tal como se especificó en las normas NSF/ANSI 42 y 53. El sistema está certificado de acuerdo a las normas CSA B483.1 y NSF/ANSI 372 en cuanto al cumplimiento de estar libre de plomo.

El agua tratada del sistema debe analizarse a intervalos regulares para garantizar la calidad y la seguridad en el punto de uso.

Contacto:

EE. UU.

Watts

815 Chestnut Street

North Andover, MA 01845-6098

Teléfono: 978-689-6066

Fax: 978-975-8350

Watts.com

Canadá

Watts

5435 North Service Road

Burlington, ON L7L 5H7

Teléfono: 888-208-8927

Fax: 905-481-2316

Watts.ca

Para compras realizadas en Iowa

Nombre del comprador: _____

Fecha: _____

Nombre del vendedor: _____

Fecha _____

El vendedor conservará el PDS firmado en los archivos del establecimiento del vendedor al menos dos años.

SUSTANCIA	AGUA PREFILTRADA PROMEDIO	CONCENTRACIÓN MÁXIMA DEL AGUA PREFILTRADA DE ACUERDO CON NSF/ANSI	REQUISITO DE REDUCCIÓN PORCENTUAL/ CONCENTRACIÓN MÁXIMA ADMISIBLE DE AGUA DEL PRODUCTO	% PROMEDIO DE REDUCCIÓN @ CAUDAL EN GAL/MIN (L/M)	FLUJO MÁXIMO Y % DE REDUCCIÓN DE PLOMO	
NSF/ANSI 42. Efectos estéticos						
Cloro	2.0 mg/l	2.0 mg/l ± 10 %	≥ 50 %	97.90 % @4 gal/min (15 l/m)	7 gal/min (26.4 l/m) @ una reducción del 99.62 % (*) >74 000 galones a 8 gal/min (280 090 litros @ 26.4 lpm)	
NSF/ANSI 53. Efectos en la salud						
Quistes	126 000/l	Mínimo 50 000/l	> 99.95 %	99.97 % @4 gal/min (15 l/m)		
Plomo, pH 6.5	0.15 mg/l ± 10 %	0.15 mg/l ± 10 %	0.005 mg/l	99.62 % @4 gal/min (15 l/m)		
Plomo, pH 8.5	0.15 mg/l ± 10 %	0.15 mg/l ± 10 %	0.005 mg/l	99.62 % @4 gal/min (15 l/m)		
PFOA/PFOS	0.0015 mg/l ± 10 %	0.0015 mg/l ± 10 %	0.00007 mg/l	98.26 % @4 gal/min (15 l/m)		

No toda el agua contendrá los contaminantes que se citan. Las pruebas se realizaron en condiciones estándar de laboratorio; el rendimiento real puede variar. El uso del sistema de filtración debe cumplir con todas las leyes estatales y locales. El sistema de filtración se debe utilizar únicamente con agua fría. No lo utilice con agua microbiológicamente insegura o de calidad desconocida sin desinfección adecuada antes o después del sistema. Los sistemas certificados para la reducción de quistes se pueden utilizar en agua desinfectada que pueda contener quistes filtrables. Enjuague el nuevo cartucho filtrante durante 10 minutos para prepararlo para su uso. Los medios de absorción usados no se regenerarán ni se utilizarán.

Reducción de sustancias no certificadas*

SUSTANCIA	CONCENTRACIÓN MEDIA DEL AGUA PREFILTRADA	CAUDAL MÁXIMO DE ALIMENTACIÓN INTERMITENTE GAL/MIN (L/M)	CAPACIDAD ESTIMADA EN GALONES @ CAUDAL MÁXIMO DE ALIMENTACIÓN INTERMITENTE	REDUCCIÓN PORCENTUAL DE SUSTANCIAS ESTIMADA DEL NUEVO CARTUCHO @ CAUDAL MÁXIMO DE ALIMENTACIÓN INTERMITENTE
Cloro	2.0 mg/l de cloro libre	13 gal/min (49.2 l/m)	264 000 galones (999 348 litros)	90 %
Cloramina	3.0 mg/l de cloramina libre	7 gal/min (26.4 l/m)	132 000 galones (499 674 litros)	85 %

*Las afirmaciones no han sido probadas ni certificadas por la IAPMO. Las declaraciones de rendimiento se basan en datos de pruebas internas de laboratorios y fabricantes independientes.

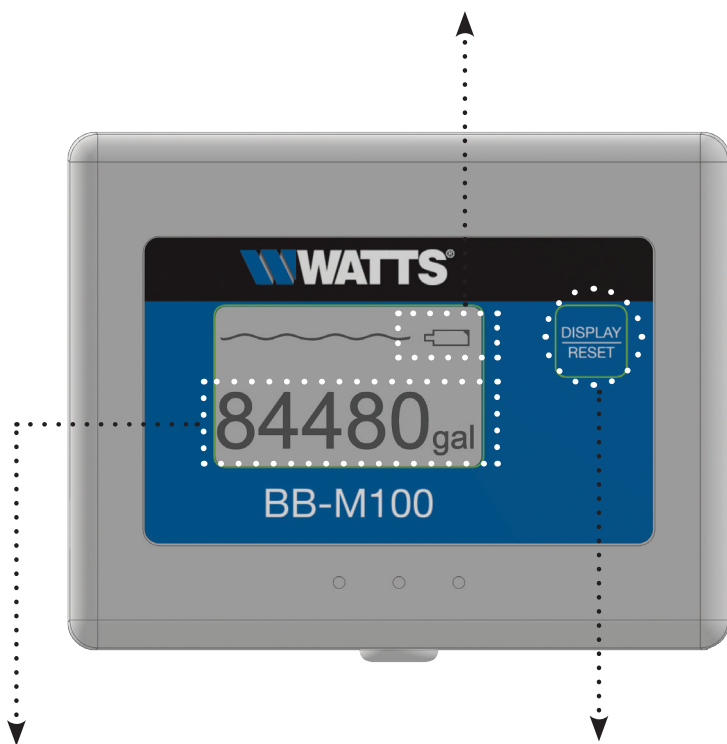
El rendimiento real depende de la calidad del agua prefiltrada, los caudales, el diseño del sistema y la aplicación. Los resultados pueden variar.

Consulte el manual del propietario y las instrucciones de instalación para obtener información sobre la instalación, el funcionamiento, el mantenimiento y la garantía.

Guía de referencia rápida del monitor de flujo volumétrico

Indicador de duración de la batería

Cambie las baterías ÚNICAMENTE cuando la pantalla esté inactiva y NO fluya agua a través del caudalímetro.



Dispositivo listo/Inicio: la pantalla está ENCENDIDA y el medidor muestra 84 480 galones (319 792 l) restantes

El icono de conteo/flujo de galones solo se muestra cuando el agua fluye.

Alerta de fin de vida útil del filtro: la pantalla parpadea "0 gal", más la alarma sonora

DISPLAY / RESET

Display: presione durante 1 segundo cada vez que la pantalla esté inactiva para ver los actuales galones restantes.

Reset: fin de la vida útil del filtro, reemplace el filtro.

Presione y mantenga presionado 6 segundos para restablecer a la capacidad máxima (84 480 galones).

Guía de referencia rápida del monitor de flujo volumétrico

1



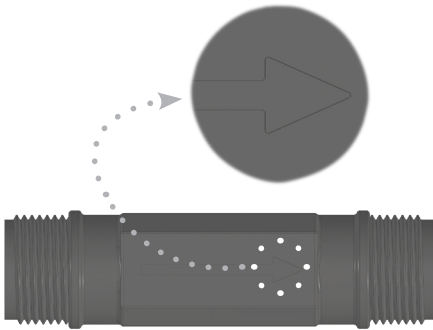
Inserte las baterías

3



- a. Agregue cinta de doble cara al soporte de montaje e instálelo en el área deseada.
- b. Conecte el cable al caudalímetro.

2



Instale el caudalímetro en la salida de agua filtrada con la flecha apuntando en la dirección del flujo.

Garantie limitée : Watts (la « Société ») garantit que chacun de ses produits est exempt de vice de matériau et de fabrication dans des conditions normales d'utilisation pour une période d'un an à compter de la date d'expédition d'origine. Si une telle défaillance devait se produire au cours de la période sous garantie, la Société pourra, à sa discrétion, remplacer le produit ou le remettre en état, sans frais pour le demandeur.

LA PRÉSENTE GARANTIE EXPRESSE EST LA SEULE ET UNIQUE GARANTIE, RELATIVE AU PRODUIT, FOURNIE PAR LA SOCIÉTÉ. LA SOCIÉTÉ NE FORMULE AUCUNE AUTRE GARANTIE, EXPRESSE OU IMPLICITE. LA SOCIÉTÉ DÉCLINE AUSSI FORMELLEMENT PAR LA PRÉSENTE TOUTE AUTRE GARANTIE, EXPRESSE OU IMPLICITE, Y COMPRIS, SANS S'Y LIMITER, LES GARANTIES IMPLICITES DE QUALITÉ MARCHANDE ET D'APTITUDE À UN USAGE PARTICULIER.

Le dédommagement précisé dans le premier paragraphe de cette garantie constitue la seule et unique alternative en cas de service demandé au titre de cette garantie, et la Société ne pourra être tenue responsable de dommages spéciaux ou indirects, incluant, sans s'y limiter : pertes de profit, coûts de réparation ou de remplacement des autres biens ayant été endommagés si ce produit ne fonctionne pas correctement, autres coûts afférents aux frais de main-d'œuvre, de retards, de vandalisme, de négligence, d'engorgement causés par des corps étrangers, dommages causés par des propriétés de l'eau défavorables, des produits chimiques ou toute autre circonstance indépendante de la volonté de la Société. La présente garantie est déclarée nulle et non avenue en cas d'usage abusif ou incorrect, d'application, d'installation ou d'entretien incorrects ou de modification du produit.

Certains États n'autorisent pas les limitations de durée d'une garantie tacite ni l'exclusion, ou la limitation des dommages accessoires ou indirects. En conséquence, les limitations susmentionnées pourraient ne pas s'appliquer à votre cas. Cette garantie limitée vous confère des droits spécifiques, reconnus par la loi; vous pourriez également avoir d'autres droits, lesquels varient selon la loi en vigueur. Vous devez donc prendre connaissance des lois applicables pour votre cas particulier. **LA DURÉE DE TOUTE GARANTIE IMPLICITE PRÉVUE PAR LA LOI EN APPLICATION ET DEVANT DONC ÊTRE ASSUMÉE, Y COMPRIS LES GARANTIES IMPLICITES DE QUALITÉ MARCHANDE ET D'APTITUDE À UN USAGE PARTICULIER, SERA LIMITÉE À UN AN À PARTIR DE LA DATE DE L'EXPÉDITION D'ORIGINE.**



É.-U. : Tél. : (978) 689-6066 • Téléc. : (978) 975-8350 • Watts.com

Canada : Tél. : (888) 208-8927 • Téléc. : (905) 481-2316 • Watts.ca

Amérique latine : Tél. : (52) 55 4122 0138 • Watts.com

Manuel d'installation, d'utilisation et d'entretien

Big Bubba® Modèle BB-S100

Une solution complète de système pour toute la maison pour la réduction du plomb, des PFOA/PFOS (substances perfluoroalkylées), des kystes, et du goût et de l'odeur de chlore



Certifié par IAPMO R&T conformément aux normes NSF/ANSI 42 et 53 pour la validation des informations revendiquées vérifiées et justifiées par des données d'essai, comme spécifié sur la fiche de données de performance. Le système est également certifié conforme aux normes CSA B483.1 et NSF/ANSI 372 pour la conformité pour l'absence de plomb.

Félicitations pour votre achat de la solution complète de système pour toute la maison Watts BB-S100! Vous avez fait un excellent choix pour protéger votre maison contre le plomb, les PFOA/PFOS (substances perfluoroalkylées), les kystes et le goût et l'odeur de chlore. Ce système est efficace contre une multitude de contaminants et regorge de fonctionnalités, notamment une cartouche filtrante remplaçable haute capacité conçue pour 84 480 gallons (319 791 litres) et un système de contrôle du débit volumétrique avec alerte de changement de cartouche filtrante. Le système BB-S100 utilise le robuste boîtier du filtre Big Bubba® de Watts, une icône fiable de l'industrie de la filtration de l'eau; vous pouvez donc être sûr que votre système sera durable et facile à entretenir.

Merci!

L'équipe Watts

La contamination de l'eau potable par le plomb et les PFOA/PFOS est une préoccupation majeure pour de nombreux consommateurs en raison des problèmes de santé qu'ils peuvent causer. Selon l'USEPA, le plomb peut causer des problèmes de comportement, d'apprentissage et de faible QI chez les enfants ainsi que des problèmes rénaux et cardiovasculaires chez les adultes. Bien que les risques associés aux produits chimiques PFAS soient encore largement inconnus, l'USEPA note que les études indiquent que l'exposition au PFOS (acide perfluorooctanesulfonique) et au PFOA (acide perfluorooctanoïque), qui comptent parmi les produits chimiques les plus extensivement fabriqués et étudiés de cette catégorie, peut avoir des effets sur la reproduction et le développement, le foie et les reins, ainsi que des effets immunologiques, en plus de causer des tumeurs chez les animaux de laboratoire.

Introduction

⚠ AVERTISSEMENT



Lire ce manuel **AVANT** d'utiliser cet équipement.

Le non-respect de toutes les instructions de sécurité et d'utilisation peut entraîner des dommages matériels, des dommages à l'équipement, des blessures graves ou la mort.



Conservé (infinitive instead of imperative; to make it consistent with Lire).

Si vous avez des doutes à propos de l'installation de votre système de filtrage Watts, veuillez contacter un représentant Watts ou consulter un plombier professionnel.

Vous devez lire attentivement toutes les instructions d'installation et les informations relatives à la sécurité du produit avant de commencer son installation. **LE NON-RESPECT DES INSTRUCTIONS SUR LA BONNE INSTALLATION ET LE BON ENTRETIEN PEUT PROVOQUER DES DOMMAGES AU PRODUIT QUI PEUVENT CAUSER DES DOMMAGES MATÉRIELS, DES BLESSURES OU LA MORT.** Watts décline toute responsabilité quant aux dommages pouvant résulter d'une mauvaise installation ou d'un mauvais entretien. Les codes du bâtiment ou de plomberie locaux peuvent exiger des modifications aux informations fournies. Vous êtes tenu de consulter les codes du bâtiment et de plomberie locaux avant l'installation. Si ces informations ne sont pas conformes avec les codes du bâtiment et de plomberie locaux, les codes locaux ont préséance. Conservez ce manuel pour référence ultérieure.

Consultez les paramètres de fonctionnement ci-joints pour assurer l'utilisation adéquate avec votre alimentation en eau.

Si cet équipement, ou l'une de ses parties, est endommagé ou nécessite une réparation, cessez de l'utiliser et contactez immédiatement un technicien d'entretien expérimenté.

- Utilisez uniquement des soudures et des flux exempts de plomb pour tous les raccords soudés, comme requis par les codes fédéraux, d'État et provinciaux.
- Manipulez tous les éléments du système avec soin. Ne les laissez pas tomber ou traîner et ne les retournez pas.
- Veillez à ce que le plancher sous le système soit propre, de niveau et assez solide pour soutenir le système pendant le fonctionnement.
- Installez le système dans une zone protégée.
- Ne tentez pas de traiter l'eau à une température supérieure à 125 °F (51 °C) avec le système.
- Raccordez toujours le système au tuyau d'alimentation d'eau principal avant le chauffe-eau.
- N'exposez pas le système à des températures glaciales. De l'eau qui gèle dans le système peut endommager l'équipement.
- N'installez pas le système en plein soleil. Les rayons ultraviolets du soleil peuvent causer des dommages.
- Un filtre à cartouche jetable de 5 microns peut être nécessaire comme préfiltre pour ce système afin d'éviter l'obstruction prématurée de la cartouche filtrante du système BB-S100 par les sédiments.

⚠ AVERTISSEMENT

Ne pas utiliser le produit avec de l'eau impropre sur le plan microbiologique ou dont la qualité est inconnue sans procéder à une désinfection adéquate en amont ou en aval du système. Système certifié pour la réduction des kystes; peut être utilisé pour traiter des eaux désinfectées pouvant contenir des kystes filtrables.

Table des matières

Vue d'ensemble	44
Spécifications de l'équipement	44
Paramètres opérationnels et directives pour l'eau d'alimentation	44
Dimensions-Poids	45
Débit et chute de pression	46
Précautions d'installation	47
Contenu du système de filtration	47
Schéma du système	47
Préparation du système pour l'installation	48
Installation	49
Procédure de démarrage du système	51
Fonctionnement de l'appareil de contrôle du débit volumétrique	51
Schémas d'installation	52
Procédure de remplacement de la cartouche filtrante	53
Pièces de rechange	54
Dépannage	56
Fiche de données de performance	57
Guide de référence rapide de l'appareil de contrôle du débit volumétrique	58
Garantie limitée	60

⚠ MISE EN GARDE

Testez l'eau périodiquement pour vérifier que le système fonctionne bien.

Vue d'ensemble

Merci d'avoir acheté cette solution de système de traitement de l'eau de qualité.

Votre nouveau système est équipé d'une cartouche filtrante à bloc de charbon haute capacité avec capacité de réduction du plomb, des PFOA/PFOS, des kystes, des sédiments, du chlore et de la chloramine. Une autre excellente fonctionnalité de ce système est l'appareil de contrôle du débit volumétrique qui vous avertit lorsque la cartouche filtrante doit être changée en fonction de l'utilisation de l'eau. Le système de filtration d'eau BB-S100 fournit de l'eau propre, claire et savoureuse à toute votre maison et a une capacité de filtration de 84 480 gallons (319 791 litres) pour la réduction du plomb et des PFOA/PFOS. Le système est certifié pour réduire le plomb (soluble et insoluble), les PFOA/PFOS, les kystes, et le chlore.

Ce système est conçu pour être installé au point d'entrée pour un traitement pour toute la maison et pour être simple et pratique à entretenir.

Entretien du système

Il est important de remplacer la cartouche filtrante à la fréquence recommandée indiquée dans ce manuel d'utilisation. De nombreux contaminants ne peuvent être détectés au goût. De plus, d'autres mauvais goûts et odeurs peuvent apparaître au fil du temps si la cartouche filtrante n'est pas remplacée au besoin.

Si vous avez d'autres questions, veuillez communiquer avec notre service à la clientèle au (978) 689-6066 ou avec votre représentant Watts.

Spécifications de l'équipement

Ce système de filtration d'eau Watts est complet et autonome, avec la cartouche filtrante préinstallée dans le boîtier du filtre. Il faut installer des adaptateurs de plomberie, un appareil de contrôle du débit volumétrique et un débitmètre en ligne. Examinez les limites de pressions de fonctionnement, de températures et de chimie de l'eau afin d'assurer la compatibilité et la performance.

Paramètres opérationnels et directives pour l'eau

AVIS

L'installation doit être conforme aux réglementations d'État et locales en matière de plomberie.

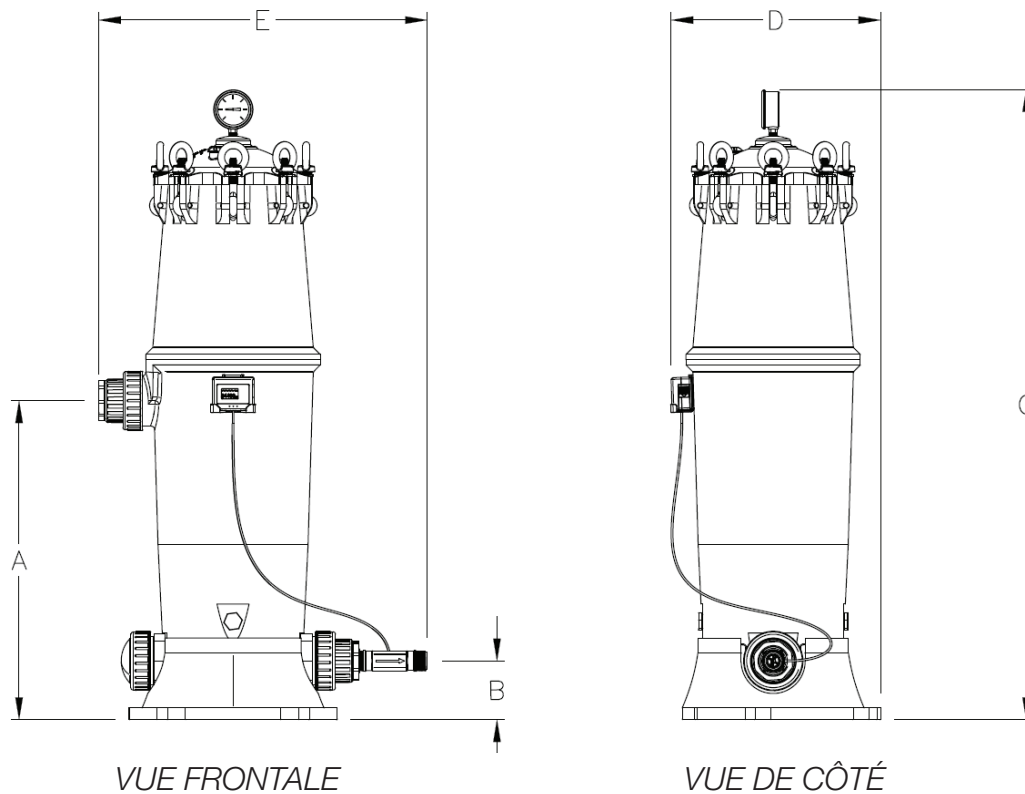
Examinez les limites de pressions de fonctionnement, de températures et de chimie de l'eau afin d'assurer la compatibilité.

pH	6,5 à 8,5
Pression d'eau min./max.	25 psi à 125 psi/172 kPa à 861 kPa
Température min./max. de l'eau	34 à 125 °F/1 à 52 °C (125 °F/52 °C à une pression maximale de 80 psi [552 kPa])
Chlore libre (maximum)	2,0 mg/l
Fer (maximum)	0,3 mg/l
Manganèse (maximum)	0,05 mg/l
Huile et H ₂ S	Non autorisé
Turbidité/sédiment	Eau d'entrée du préfiltre avec filtre de sédiments de 5 microns si la sédimentation/turbidité empêche la cartouche filtrante BB-S100 d'atteindre une capacité de volume maximale

Exigences électriques du système. 2 piles alcalines AA

Pour toute autre directive, veuillez contacter votre représentant de Watts. Une eau ne répondant pas aux normes ci-dessus nécessitera un prétraitement supplémentaire.

Spécifications de l'équipement



Dimensions — Poids

N° DE MODÈLE	DIMENSIONS										POIDS À L'EXPÉDITION		POIDS DE FONCTIONNEMENT	
	A		B		C*		D		E		lb	kg	lb	kg
	po	mm	po	mm	po	mm	po	mm	po	mm				
BB-S100	21,6	549	3,9	99	42,6	1 082	14,2	361	22,3	566,4	64	29	123	56

* Prévoyez un dégagement de 36 po (91 cm) au-dessus du haut du système pour le remplacement de la cartouche filtrante.
Toutes les dimensions sont de +/- 1 po (2,54 cm) et peuvent être modifiées sans préavis.

Spécifications de l'équipement

NUMÉRO DE MODÈLE DU SYSTÈME BB-S100

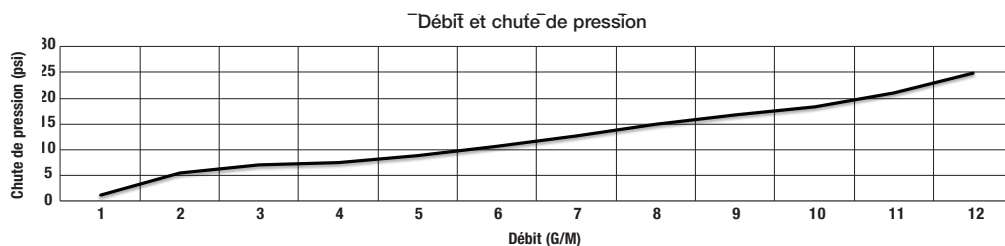
Température de fonctionnement min./max.*	34 à 125 °F / 1 à 52 °C (125 °F / 52 °C à 80 psi [552 kPa] de pression maximale)
Pression de fonctionnement min./max.*	25 psi à 125 psi / 172 kPa à 861 kPa
Débit continu maximal pour la réduction du plomb et des PFOA/PFOS**	4 g/m (15 l/m)
Débit maximal pour la réduction du chlore***	13 g/m (49,2 l/m)
Débit maximal pour la réduction de la chloramine***	7 g/m (26,4 l/m)
Taille/type de connexion d'entrée et de sortie	1 po (2,54 cm) NPT
Taille/type de raccord du port de vidange du boîtier d'eau non filtrée	½ po (1,27 cm) FNPT
Matériau du boîtier du filtre	Polypropylène renforcé de verre
Orifice de manomètre d'entrée	1/4 po (0,635 cm) FNPT renforcé avec du laiton
Manomètre d'entrée inclus	Oui
Matériau des boulons oscillants (couverture)	Acier inoxydable 304
Matériau du joint torique (couverture)	EPDM
Matériau du joint torique (adaptateurs de plomberie)	EPDM
Puissance nominale en microns	0,5 micron nominal
Trousse d'ancrage du boîtier du filtre incluse	Oui - Ancrages pour béton 3/8 po (0,9525 cm) (X3)
Nombre de cartouches filtrantes	1
Type de support de cartouche filtrante	Bloc de charbon d'adsorption de plomb
Matériau/couleur du bouchon d'extrémité de la cartouche filtrante	Polypropylène renforcé de verre/vert
Capuchon d'extrémité supérieur de la cartouche filtrante avec poignée	Oui
Matériau du joint torique (double) de la cartouche filtrante	EPDM
Chute de pression maximale autorisée pour la cartouche filtrante	Chute de 40 psi (279,75 kPa)
Type d'affichage de l'appareil de contrôle du débit	ACL à 5 chiffres - Compte à rebours volumétrique à « 0 »
Capacité de l'appareil de contrôle du débit	84 480 gallons (319 791 litres) (réinitialisable/non programmable)
Indication positive de débit	Oui - Icône de vague de flux sur l'écran
Alarme de débitmètre à « 0 » gallon restant	Pendant le débit d'eau : Élément visuel - « 0 gal » clignotant sur l'écran/alarme sonore
Alimentation électrique de l'appareil de contrôle du débit	2 piles alcalines AA
Alarme de pile faible	Oui - Icône de pile faible visuelle et alarme sonore
Type de débitmètre	Débitmètre instead of Compteur de débit
Taille/type de connexion de l'appareil de contrôle du débit	1 po (2,54 cm) x 1 po (2,54 cm) MNPT
Matériau du corps de l'appareil de contrôle du débit	Polymère renforcé de verre

*Les températures et pressions de fonctionnement minimales et maximales énumérées ci-dessus s'appliquent au système complet ainsi qu'à tous les composants individuels, y compris le boîtier du filtre, la cartouche filtrante et l'appareil de contrôle du débit volumétrique.

** Consultez la section Réduction certifiée des substances pour les revendications spécifiques relatives au débit et à la réduction.

***Les revendications ne sont pas testées ni certifiées par IAPMO. Les performances revendiquées sont basées sur les données de test internes du laboratoire indépendant et du fabricant. Les performances réelles dépendent de la qualité de l'eau entrante, des débits, de la conception du système et de l'application. Les résultats peuvent varier. Consultez la section Réduction certifiée des substances pour les revendications de débit et de réduction de chlore certifiées.

Débit et chute de pression



Faible chute de pression

Le système Watts BB-S100 utilise une cartouche filtrante à bloc de charbon grande capacité pour assurer le plus haut niveau de performance tout en offrant le débit le plus élevé possible à la plus faible chute de pression possible.

Essais de chute de pression effectués dans les installations de Watts à Peoria, en Arizona, en utilisant de l'eau d'environ 73 °F (22,8 °C). Les résultats des tests reflètent le débit et le rendement de chute de pression de la nouvelle cartouche filtrante.

Précautions d'installation

AVIS

- N'installez pas le système dans un endroit où il pourrait bloquer l'accès au chauffe-eau, à l'arrêt d'arrivée d'eau, au compteur ou aux panneaux électriques.
- Installez le système dans un endroit où les dégâts d'eau sont les moins susceptibles de se produire en cas de fuite.
- Ce système est destiné à être installé sur la conduite d'eau froide SEULEMENT. N'utilisez pas l'alimentation en eau chaude et n'alimentez pas le système si la température de l'eau dépasse ce qui est spécifié dans les paramètres de fonctionnement; sinon, des dommages au système pourraient se produire.
- Ne l'installez pas si vos conduites d'eau sont susceptibles à des coups de bélier. Corrigez d'abord les problèmes de coup de bélier avant d'installer le système.
- Système à utiliser avec des sources d'eau municipales ou de puits adéquatement traitées et régulièrement testées pour assurer l'absence de conditions d'eau défavorables, y compris la qualité sur le plan bactériologique.
- Le système est conçu pour être installé à l'intérieur.
- Le système de filtration doit être protégé contre la lumière directe du soleil, la pluie, l'humidité, les températures glaciales, le gel, la neige, le grésil et la glace. L'exposition à ces éléments peut endommager le système et entraîner des dégâts d'eau ou des dommages aux composants électroniques.
- Le système doit être installé à la verticale et sur une surface plane suffisamment solide pour supporter le poids du système pendant son fonctionnement.
- Il est recommandé de construire une dérivation du système, y compris des vannes d'entrée, de sortie et de dérivation, pour faciliter l'entretien du système.
- La cartouche filtrante recommandée pour ce système comporte une capacité de service limitée, comme indiqué par l'appareil de contrôle du débit volumétrique. Une réduction inefficace des contaminants, des changements dans le goût, les odeurs, la couleur et/ou le débit de l'eau filtrée peuvent se produire si la cartouche filtrante n'est pas changée au besoin.
- Assurez-vous que l'installation respecte toutes les lois et tous les règlements locaux et d'État.
- Le poids total de la tuyauterie et des vannes doit être soutenu par des suspensions de tuyaux ou d'autres moyens.

Contenu du système de filtration

Assurez-vous que tous les éléments répertoriés ci-dessous sont dans la boîte. Si l'un des articles est manquant, veuillez contacter votre représentant Watts ou le service à la clientèle Watts au 978-689-6066 avant de procéder à l'installation.

- Boîtier du filtre
- Cartouche filtrante (préinstallée en usine à l'intérieur du boîtier du filtre)
- Jauge de pression d'eau d'entrée
- Adaptateurs de plomberie en PVC 2 po (5,08 cm) (2 ch)
- Joints toriques d'adaptateur de plomberie (2 ch)
- Écrous d'adaptateur de plomberie (2 ch)
- Colle mâle de 2 po (5,08 cm) x bagues en PVC FNPT de 1 po (2,54 cm) (2 ch)
- Affichage de l'appareil de contrôle du débit volumétrique et du débitmètre en ligne de 1 po (2,54 cm)
- Boulons d'ancrage pour béton de 3/8 po (0,9525 cm) (3 ch)

Schéma du système



Identification du schéma

ÉLÉMENT	DESCRIPTION
A	Boîtier du filtre
B	Cartouche filtrante de réduction du plomb/des PFOA/PFOS/des kystes/du chlore
C	Adaptateur de plomberie pour raccord d'entrée d'eau
D	Raccord d'eau de sortie en option
E	Jauge de pression d'eau d'entrée
F	Bouton de décharge de pression
G	Appareil de contrôle du débit volumétrique et débitmètre en ligne de 1 po (2,54 cm)
H	Adaptateur de plomberie de raccord d'eau de sortie
I	Colle mâle de 2 po (5,08 cm) x bagues en PVC FNPT de 1 po (2,54 cm) (2 ch)
J	Raccord d'eau de vidange (bouchée)
K	Boulons de montage d'ancrage non illustrés (X3)

Installation

Outils recommandés pour l'installation

- Petit couteau pour couper le ruban adhésif de la boîte
- Perceuse à marteau perforatrice à vitesse variable et foret à béton de 3/8 po (0,9525 cm) (si installé sur du béton)
- Clé ajustable
- Outils de plomberie généraux pour votre type de plomberie spécifique
- Ruban de plomberie
- Lubrifiant pour joint torique en silicone

Préparation du système pour l'installation

AVIS

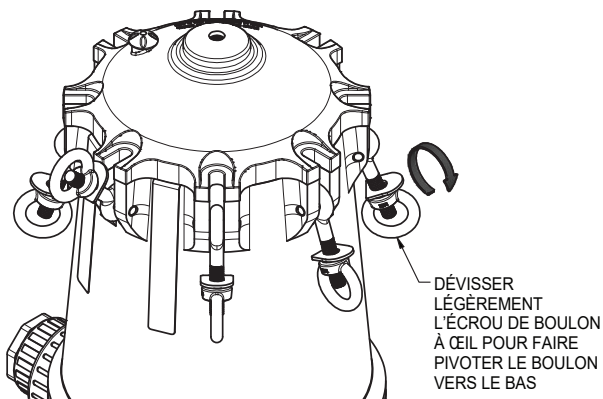
Le modèle BB-S100 de Watts est emballé en usine avec un emballage intérieur pour une protection accrue. Cet emballage interne doit être retiré du système avant de commencer l'installation.

Étape 1 : Retirez les bandes d'emballage de la boîte du système et ouvrez les rabats supérieurs de la boîte. Retirez le tampon d'emballage en mousse noire.

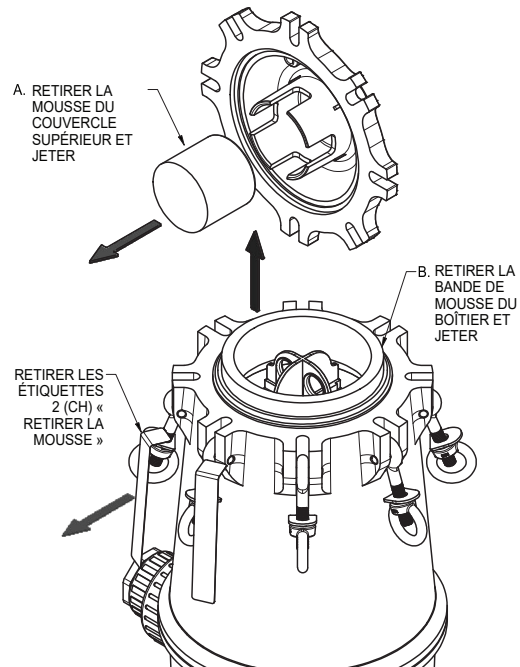
Étape 2 : Retirez le plateau d'emballage en carton supérieur et repérez le manomètre, l'appareil de contrôle du débit avec la boîte de débitmètre marquée « BB-M100 », le manuel du système, les adaptateurs de plomberie en PVC de 2 po (5,08 cm) (2 ch), les joints toriques des adaptateurs de plomberie de 2 po (5,08 cm) (2 ch), la colle mâle de 2 po (5,08 cm) X bagues de plomberie en PVC FNPT (2 ch) et les boulons de montage d'ancrage emballés dans le plateau de carton. Conservez ces composants dans un endroit sûr pour les étapes d'installation ultérieures.

Étape 3 : Soulevez la boîte du système pour la retirer du système de filtration. Soulevez ensuite le système de filtration hors de son boîtier inférieur et placez-le verticalement sur le sol.

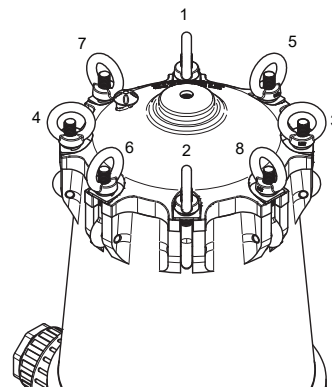
Étape 4 : Notez les deux étiquettes d'instructions sur le dessus du boîtier du filtre indiquant à l'installateur « Remove Foam Packaging » (Retirer l'emballage en mousse) situé à l'intérieur du boîtier du filtre. Pour retirer le couvercle du boîtier du filtre, desserrez tous les écrous de boulon à œil dans le sens antihoraire, laissez les boulons pivoter et relâchez-les, puis soulevez le couvercle du boîtier du filtre.



Étape 5 : Retirez les pièces d'emballage en mousse : A. du couvercle du boîtier du filtre et B. du dessus de la cartouche filtrante. Pour retirer la pièce en mousse B, il peut être nécessaire de retirer la cartouche filtrante en la faisant tourner d'un demi-tour dans le sens antihoraire, puis en soulevant la cartouche filtrante. Une fois exposée, retirez la pièce en mousse B. Pour plus d'informations sur le retrait de la cartouche filtrante, consultez la procédure de remplacement de la cartouche filtrante dans ce manuel.



Étape 6 : Assurez-vous que le joint torique du boîtier du filtre est correctement placé sur le dessus du boîtier du filtre et remplacez le couvercle du boîtier du filtre. Faites pivoter les boulons à œil vers le haut et serrez complètement les écrous à la main dans un motif de style opposé. Continuez à serrer les écrous dans ce motif opposé jusqu'à ce qu'ils soient complètement serrés à la main.



Installation

Remarque : Repérez les composants identifiés à l'étape 2 précédente « Préparation du système en vue de l'installation » à utiliser dans cette section.

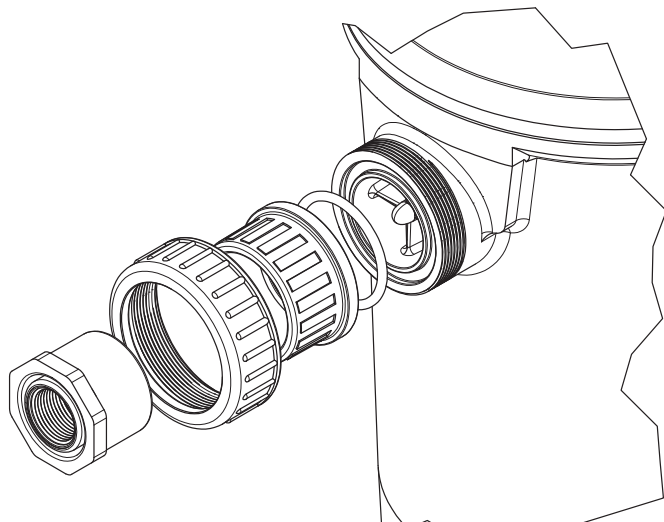
Consultez les schémas d'installation à la page 12 pour obtenir des informations supplémentaires.

Étape 1 : Le système doit être installé en position verticale. Placez le système à l'emplacement souhaité. Assurez-vous que la surface de montage est de niveau et suffisamment solide pour soutenir le poids du système pendant le fonctionnement.

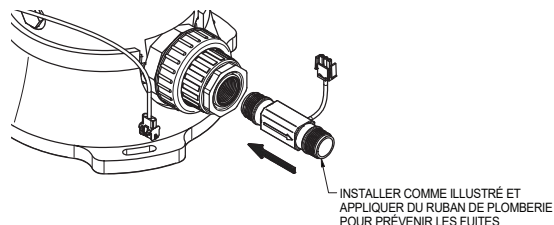
Étape 2 : Préparez le boîtier du filtre pour l'installation en dévissant et en retirant d'abord les écrous de raccord des orifices d'entrée et de sortie dans le sens antihoraire. Installez le joint torique de l'adaptateur de plomberie dans la rainure du joint torique de chaque orifice d'entrée et de sortie, fixez les adaptateurs de plomberie et refixez les écrous de raccord en serrant à la main seulement. N'UTILISEZ PAS de clés. N'UTILISEZ PAS d'enduit d'étanchéité de quelque nature que ce soit sur les filetages du raccord. Utilisez uniquement du lubrifiant au silicone sur les joints toriques.

Remarque : Le système est doté d'un orifice de sortie facultatif pour s'adapter à différentes installations de plomberie. L'adaptateur de plomberie de sortie peut être déplacé vers l'orifice de sortie facultatif si désiré.

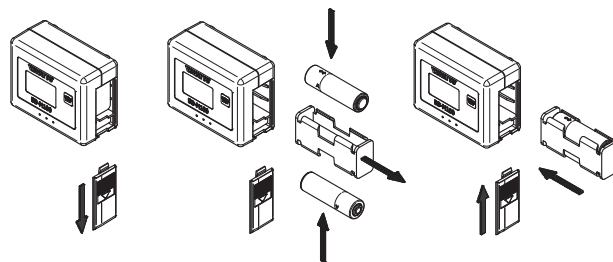
Étape 3 : À l'aide d'un apprêt et d'un système de colle approuvé pour les applications de plomberie sous pression en PVC pour l'eau potable, installez les bagues de plomberie en PVC FNPT de 2 po x 1 po (5,08 cm x 2,54 cm) dans les adaptateurs de plomberie d'entrée et de sortie.



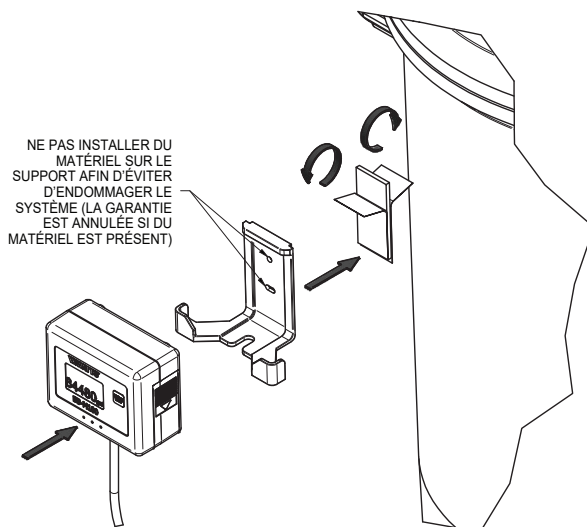
Étape 4 : Appliquez du ruban de plomberie sur le filetage d'entrée du débitmètre en ligne de 1 po (2,54 cm). Une flèche sur le débitmètre indique la direction du débit. Appliquez du ruban de plomberie sur le filetage de sortie du débitmètre de 1 po (2,54 cm) si la méthode de plomberie de sortie utilisée l'exige. Insérez le débitmètre dans l'orifice de plomberie de sortie du système avec la flèche pointant dans le sens du débit. Serrez à la main seulement, dans le sens horaire; N'UTILISEZ PAS de clés.



Étape 5 : Insérez 2 piles alcalines AA dans l'appareil de contrôle du débit. Le moniteur s'allumera une fois les piles installées.

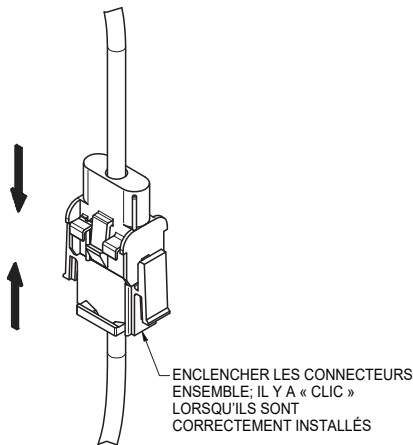


Étape 6 : Appliquez du ruban adhésif double face sur le support de montage l'appareil de contrôle du débit. Appuyez sur le support de fixation contre l'endroit de montage désiré pendant 10 secondes. La surface de montage doit être propre et sèche. Insérez l'appareil de contrôle du débit dans le support de montage.

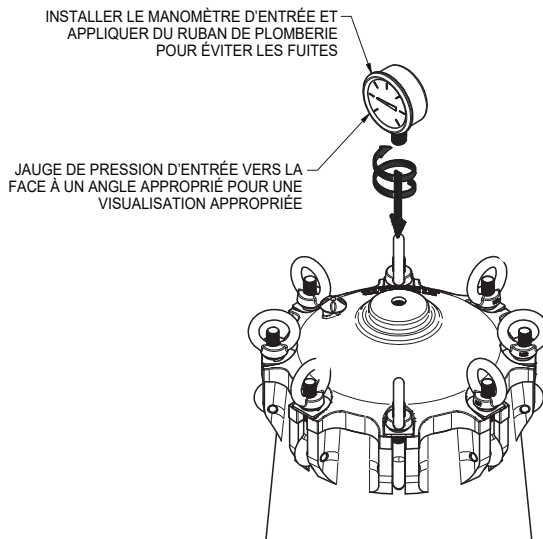


Installation

Étape 7 : Branchez le câble de l'appareil de contrôle du débit au câble du débitmètre.



Étape 8 : Appliquez du ruban de plomberie sur les filets du manomètre et insérez-le dans l'orifice de manomètre du couvercle du boîtier du filtre. Utilisez une clé pour serrer dans le sens horaire. Ne tournez pas le boîtier du manomètre.



Étape 9 : Coupez l'alimentation principale d'eau à la maison et ouvrez un robinet à l'intérieur (eau chaude et froide) pour libérer la pression dans la tuyauterie.

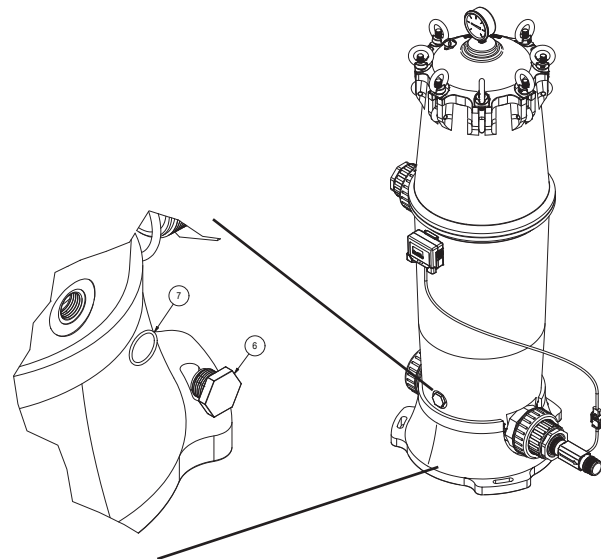
Étape 10 : Éteignez le(s) chauffe-eau.

Étape 11 : Construisez la conduite de plomberie d'entrée de la source d'eau froide domestique et raccordez-la à l'orifice de plomberie d'entrée du système. Incluez un robinet d'isolement d'entrée d'eau (fourni par l'utilisateur) dans la conduite d'alimentation et fermez-le.

Étape 12 : Construisez la conduite de plomberie de sortie à partir de l'orifice de sortie du débitmètre du système et branchez-la à la conduite d'alimentation entrant dans la maison. Incluez un robinet d'isolement d'eau de sortie (fourni par l'utilisateur) dans la conduite de sortie et fermez-le. Installez également un manomètre de sortie dans cette conduite.

Étape 13 : Construisez une conduite de dérivation autour du système. Incluez une vanne de dérivation (fournie par l'utilisateur) dans la conduite de dérivation et fermez-la.

Étape 14 : Retirez le bouchon de l'orifice de vidange du système NPT de 1/2 po (1,27 cm) (articles n° 6 et n° 7) du boîtier du filtre dans le sens antihoraire.



Construisez une conduite de vidange avec robinet d'arrêt à l'aide d'une tuyauterie en PVC de 1/2 po (1,27 cm) (fournie par l'utilisateur) afin que l'eau puisse être drainée du système lors des changements de cartouche filtrante. La conduite de vidange doit être acheminée vers un récipient de vidange (c.-à-d. un siphon de sol ou un tuyau de vidange) où l'eau de vidange ne causera ni blessures corporelles ni dommages matériels. Fermez le robinet de vidange. Suivez tous les codes du bâtiment locaux pour la construction de la conduite de vidange. Laissez un espace d'air d'au moins 4 po (10,16 cm) à l'extrémité de la conduite de vidange. Voir la page 12 Schémas d'installation pour plus d'informations.

Étape 15 : À l'aide d'une perceuse et d'une mèche de 3/8 po (0,9525 cm), ancrez le système au sol avec le matériel de montage fourni. Si la surface de montage n'est pas en béton, l'installateur doit fournir le matériel de montage approprié.

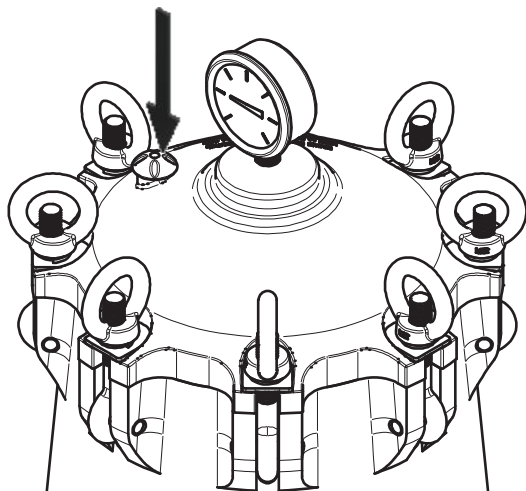
Étape 16 : Pour les installations où le système est installé dans un système de plomberie en métal, installez une courroie de liaison métallique entre les conduites d'entrée et de sortie en métal pour maintenir la continuité électrique.

Procédure de démarrage du système

Étape 1 : Ouvrez l'alimentation principale en eau de la maison.

Étape 2 : Ouvrez la vanne d'isolement d'entrée à la position 1/4 d'ouverture.

Étape 3 : Appuyez sur le bouton rouge de décharge de pression sur le dessus du couvercle du boîtier du filtre pour purger l'air du système pendant qu'il se remplit d'eau. Arrêtez d'appuyer sur le bouton de décharge de pression lorsque le débit d'eau résultant de la décharge de pression est visible.



Étape 4 : Ouvrez complètement les vannes d'isolement d'entrée et de sortie et laissez l'eau s'écouler des robinets côté chaud et côté froid jusqu'à ce que tout l'air ait été purgé du système de plomberie.

Étape 5 : Vérifiez s'il y a des fuites et réparez-les, au besoin.

Étape 6 : Fermez le robinet côté chaud et laissez l'eau s'écouler du robinet côté froid à plein débit pendant 10 minutes pour rincer correctement la nouvelle cartouche filtrante afin de la préparer à l'utilisation. Fermez le robinet côté froid.

Étape 7 : Allumez le(s) chauffe-eau.

Le système est maintenant prêt à être utilisé.

AVIS

Vérifiez s'il y a fuite à plusieurs reprises au cours des 24 heures suivantes.

Fonctionnement de l'appareil de contrôle du débit volumétrique

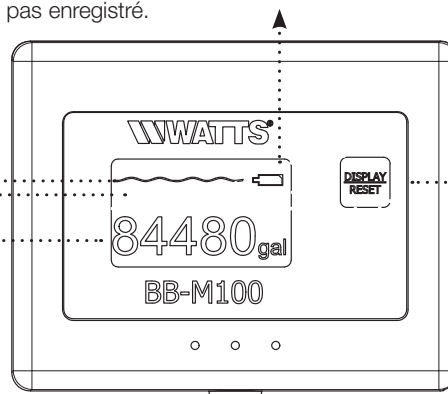
L'appareil de contrôle du débit et le débitmètre en ligne fournis avec ce système sont un dispositif de débit volumétrique qui enregistre l'utilisation du volume d'eau et qui émet une alerte lorsque la cartouche filtrante a atteint sa capacité nominale en gallons.

Indicateur d'onde de débit : indique le débit d'eau dans le système.

Indicateur de pile faible : l'icône d'alarme s'allume lorsque la pile est faible et l'alarme sonne. Remplacez les piles pour annuler les conditions d'alarme.

⚠ AVERTISSEMENT

Veillez remplacer les piles UNIQUEMENT lorsque l'écran est inactif et qu'il n'y a PAS d'eau circulant dans le débitmètre. Si l'eau s'écoule et que l'écran est allumé lorsque les piles sont changées, le dernier volume d'utilisation ne sera pas enregistré.



Compartiment à piles : 2 piles alcalines AA.

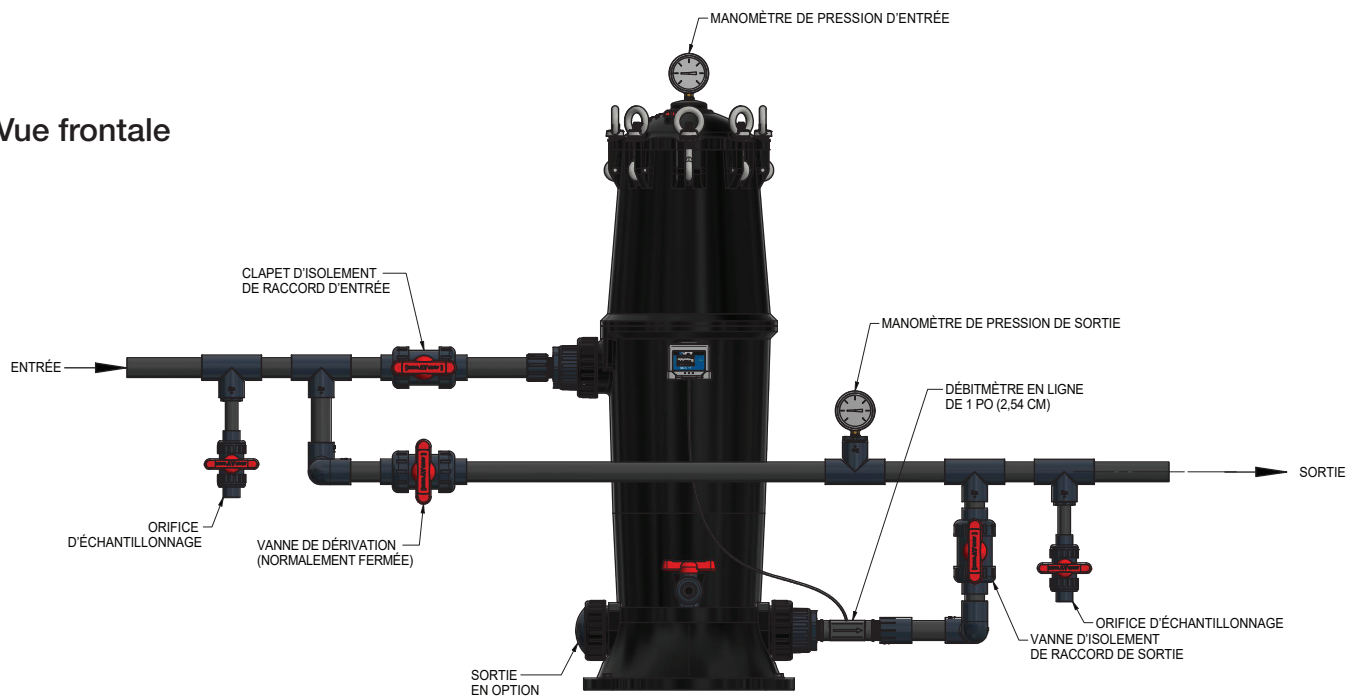
Bouton Affichage/Réinitialisation : peut être enfoncé pendant 1 seconde lorsque l'affichage est inactif pour voir les gallons restants. Appuyez sur cette touche et maintenez-la enfoncée pendant 6 secondes pour réinitialiser l'affichage à 84 480 gallons (319 791 litres) et pour effacer l'alarme après le remplacement de la cartouche filtrante.

Volume restant : compte à rebours de la pleine capacité à « 0 » gallon. La capacité maximale est de 84 480 gallons (319 791 litres). Une alarme sonore sonne et l'écran clignote « 0 gal » lorsque le changement de cartouche filtrante est nécessaire.

Écran d'affichage : s'active uniquement lorsque l'eau circule dans le système. L'affichage est inactif après 10 secondes d'absence de débit d'eau.

Schémas d'installation

Vue frontale

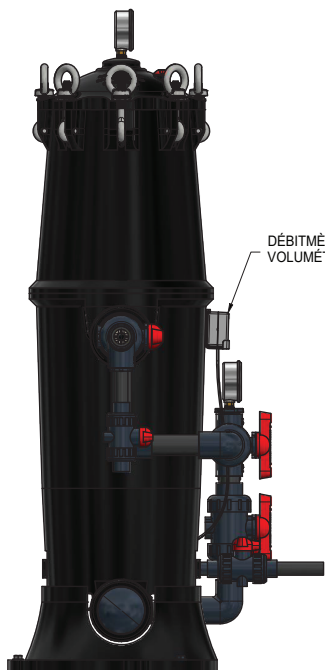


3 POINTS D'ANCRAGE



Vue de dessus

DÉBITMÈTRE VOLUMÉTRIQUE



Vue de côté

Procédure de remplacement de la cartouche filtrante

Cartouche filtrante à bloc de charbon de rechange :

Numéro de modèle BB-C100

Code de commande 7100980

Remplacez le filtre lorsque l'alarme de capacité de l'appareil de contrôle du débit sonne et qu'il reste « 0 » gallon sur l'appareil de contrôle du débit

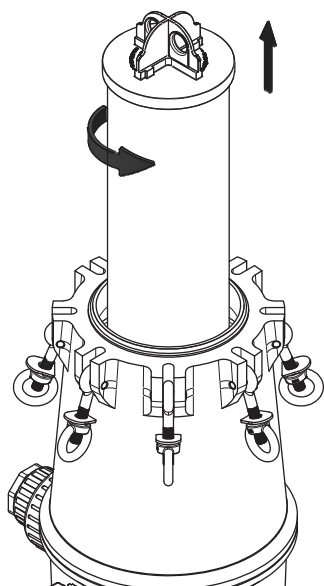
Étape 1 : Fermez les vannes d'isolement d'entrée et de sortie et ouvrez un robinet à l'intérieur, côtés chaud et froid, pour libérer toute pression dans le système de plomberie.

Étape 2 : Appuyez sur le bouton rouge de décharge de pression sur le dessus du couvercle du boîtier du filtre jusqu'à ce que l'eau cesse de couler du bouton et que le manomètre sur le dessus du couvercle du boîtier du filtre indique « 0 » PSI.

Étape 3 : Ouvrez le robinet de vidange et videz complètement l'eau du boîtier du filtre. La conduite de vidange doit être acheminée vers un récipient de vidange (c.-à-d. un siphon de sol ou un tuyau de vidange) où l'eau de vidange ne causera ni blessures corporelles ni dommages matériels.

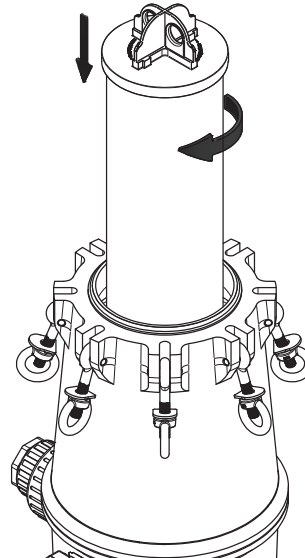
Étape 4 : Desserrez les écrous à œil sur le dessus du boîtier du filtre et retirez le couvercle.

Étape 5 : Pour retirer la cartouche filtrante du boîtier du filtre, saisissez la poignée sur le dessus de la cartouche filtrante, tournez dans le sens antihoraire, puis soulevez la cartouche filtrante et sortez-la du boîtier du filtre.



Étape 6 : Inspectez l'intérieur du boîtier du filtre pour des débris et nettoyez, au besoin.

Étape 7 : Retirez la nouvelle cartouche filtrante du sac d'emballage. Saisissez la poignée sur le dessus de la cartouche filtrante et insérez la cartouche filtrante dans le boîtier du filtre. Abaissez la cartouche filtrante dans le boîtier du filtre en la poussant vers le bas tout en la tournant dans le sens horaire jusqu'à ce que la cartouche atteigne un arrêt positif.



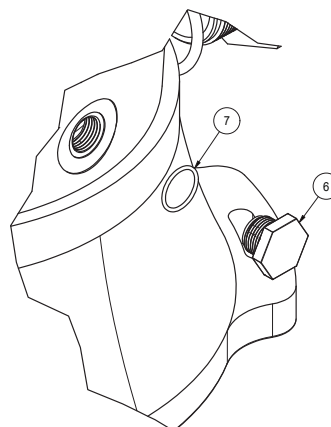
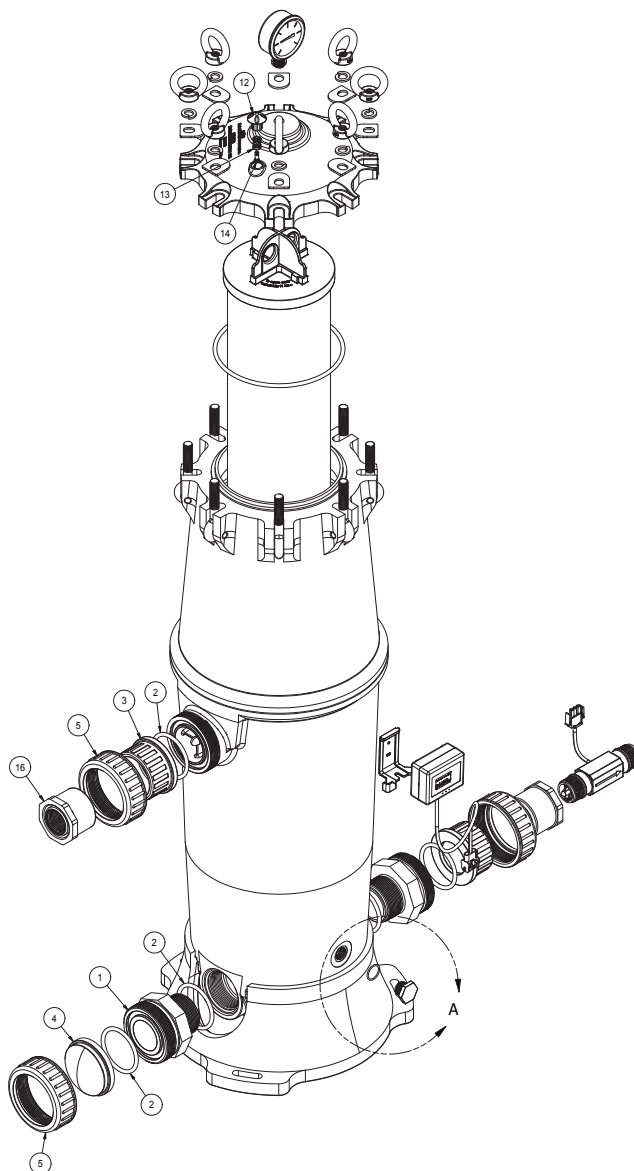
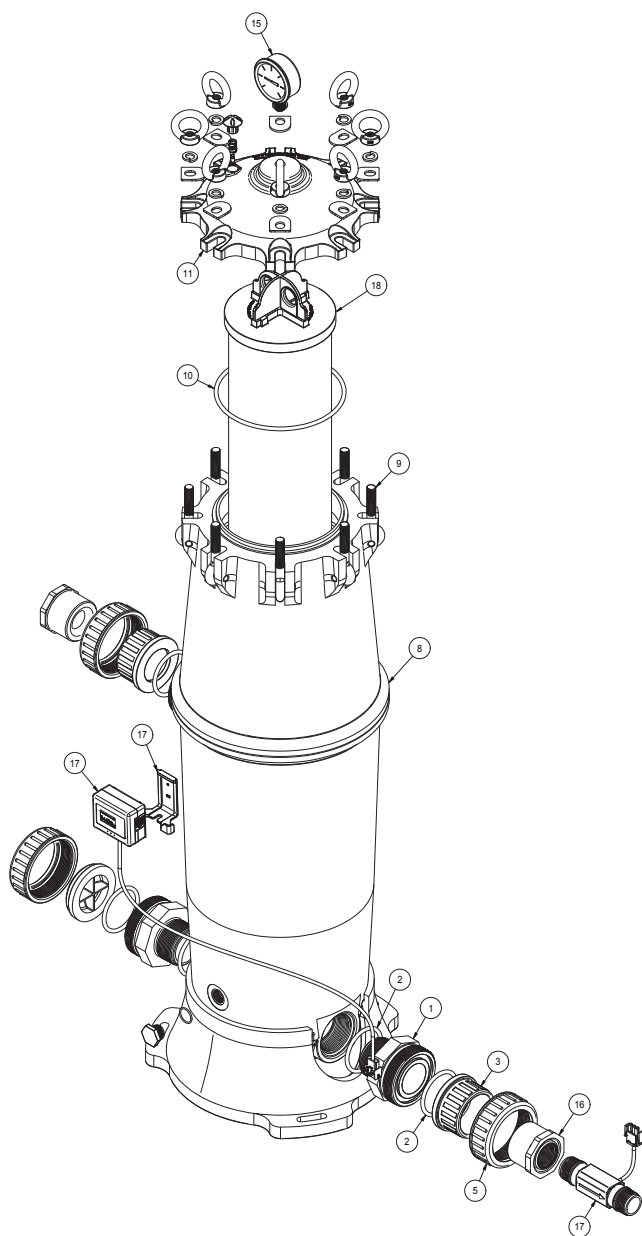
Étape 8 : Assurez-vous que le joint torique du couvercle est correctement logé sur le dessus du boîtier du filtre, remplacez-le s'il est endommagé (code de commande 68100619) et réinstallez le couvercle du boîtier du filtre. Faites pivoter les boulons à œil vers le haut et serrez complètement les écrous à la main dans un motif de style opposé. Continuez à serrer les écrous dans ce motif opposé jusqu'à ce qu'ils soient complètement serrés à la main. (Voir l'étape 6, Préparation du système pour l'installation)

Étape 9 : Appuyez et maintenez enfoncé le bouton AFFICHAGE/RÉINITIALISATION de l'appareil de contrôle du débit pendant 6 secondes pour réinitialiser la capacité restante à 84 480 gallons (319 791 litres).

Suivez les étapes 2 à 6 de la procédure de démarrage du système pour préparer le système à fonctionner.

Le système est maintenant prêt à être utilisé.

Pièces de rechange



DÉTAIL A

Pièces de rechange

N° DE PIÈCE	CODE DE COMMANDE	DESCRIPTION
1	68100610	Coupleur du boîtier du filtre
2	68100611	Joint torique pour coupleur du boîtier du filtre
3	68100608	Adaptateur de plomberie 2 po (5,08 cm) PVC gris
4	68100614	Couvercle d'attelage du boîtier du filtre 2 po (5,08 cm) PVC gris
5	68100618	Écrou de raccord d'adaptateur de plomberie
6	68100613	Bouchon de vidange 1/2 po (1,27 cm) NPT
7	68100612	Joint torique de bouchon de vidange
8	7100979	Le boîtier du filtre de rechange BB-H100 comprend des adaptateurs de plomberie, des écrous de raccord, un manomètre, un couvercle du boîtier du filtre et des joints toriques
9	68100615	Boulon à œil
10	68100619	Joint torique de couvercle du boîtier du filtre
11	68100616	Couvercle du boîtier du filtre - Ne comprend pas le manomètre
12	68100620	Bouton de décharge de pression rouge
13	68100622	Ressort pour bouton de décharge de pression
14	68100623	Tige de verrouillage rouge pour bouton de décharge de pression
15	68106170	Manomètre 0-200 PSI (0-1 378,95 kPa) 1/4 po (0,635 cm), montage inférieur
16	7100978	Colle mâle 2 po (5,08 cm) x bague de plomberie FNPT 1 po (2,54 cm), PVC, gris
17	7100977	Appareil de contrôle du débit volumétrique BB-M100 avec débitmètre en ligne de 1 po (2,54 cm), capacité de 84 480 gallons (319 791 litres)
18	7100980	Modèle n° BB-C100 Cartouche filtrante à bloc de charbon pour la réduction du plomb, des PFOA/PFOS, des kystes, et du goût et de l'odeur du chlore

Pour les composants de remplacement et le service, veuillez communiquer avec le détaillant/distributeur Watts qui a installé le système. Si vous ne parvenez pas à joindre le détaillant/distributeur, communiquez avec le service à la clientèle de Watts au 978-689-6066.

Dépannage

PROBLÈME DE DÉPANNAGE	CAUSE POSSIBLE	MESURE CORRECTIVE
Contaminant(s) présent(s) dans l'eau de sortie	La cartouche filtrante a dépassé sa capacité	Remplacer la cartouche filtrante et réinitialiser l'appareil de contrôle du débit
	Dommages au joint torique sur la cartouche filtrante	Remplacer la cartouche filtrante et réinitialiser l'appareil de contrôle du débit
	La cartouche filtrante est brisée ou défectueuse	Remplacer la cartouche filtrante et réinitialiser l'appareil de contrôle du débit
	La vanne de dérivation est ouverte	Fermer la vanne de dérivation
	Le système est trop petit pour l'application	S'assurer que le débit d'eau ne dépasse pas le débit nominal des systèmes en GPM
L'appareil de contrôle du débit volumétrique ne fait pas le suivi de la consommation d'eau	Les piles doivent être remplacées	Remplacer les piles, remplacer la cartouche filtrante et réinitialiser l'appareil de contrôle du débit*
	Débris étrangers dans le débitmètre	Nettoyer le compteur des débris étrangers, remplacer la cartouche filtrante et réinitialiser l'appareil de contrôle du débit
	Le câble du débitmètre n'est pas correctement connecté au compteur	Vérifier la connexion du câble, remplacer la cartouche filtrante et réinitialiser l'appareil de contrôle du débit
	Le débitmètre est installé à l'envers	Installer le débitmètre avec la flèche pointant dans le sens du débit, remplacer la cartouche filtrante et réinitialiser l'appareil de contrôle du débit
	La vanne de dérivation est ouverte	Fermer la vanne de dérivation
L'alarme ne s'arrête pas lorsque l'appareil de contrôle du débit est réinitialisé	Appareil de contrôle du débit défectueux	Remplacer l'appareil de contrôle du débit et remplacer la cartouche filtrante
	La puissance de la batterie est faible	Remplacer les piles*
Fuite d'eau à l'adaptateur de plomberie d'entrée/de sortie	Le joint torique est endommagé ou n'est pas bien en place	Remplacer le joint torique de l'adaptateur de plomberie
	Les écrous de raccord sont desserrés	Serrer complètement les écrous de raccord à la main
Fuite d'eau au niveau du couvercle du boîtier du filtre	Le joint torique est endommagé ou n'est pas bien en place	Remplacer le joint torique de couvercle du boîtier du filtre
	Les écrous de boulon à œil sont desserrés	Serrer complètement les écrous de boulon à œil à la main selon un motif opposé
Fuite d'eau du bouton de décharge de pression	Joint torique endommagé ou débris étrangers dans l'ensemble de décharge de pression	Nettoyer la soupape de décharge de pression et la remplacer si nécessaire
Faible pression à la sortie	Cartouche filtrante obstruée par des sédiments	Installer un filtre pré-sédiment de 5 microns avant le système, remplacer la cartouche filtrante et réinitialiser l'appareil de contrôle du débit
	Le système est trop petit pour l'application	S'assurer que le débit d'eau ne dépasse pas le débit nominal des systèmes en GPM
Eau blanche ou de couleur laiteuse du système	Air dans le système de filtration	Purger complètement l'air du système à l'aide du bouton de décharge de pression et faire couler l'eau dans le système jusqu'à ce que l'eau soit claire

AVERTISSEMENT

*Remplacer les piles UNIQUEMENT lorsque l'écran est inactif et qu'il n'y a PAS d'eau circulant dans le débitmètre. Si l'eau s'écoule et que l'écran est allumé lorsque les piles sont changées, le dernier volume d'utilisation ne sera pas enregistré.

Fiche de données de performance

Réduction certifiée des substances

PIÈCES DE RECHANGE RECOMMANDÉES ET FRÉQUENCE DE REMPLACEMENT :

La capacité de gallon de remplacement peut varier en fonction de la qualité de l'eau d'alimentation.

Description

Solution complète pour toute la maison Big Bubba BB-S100 pour la réduction du plomb, des PFOA/PFOS, des kystes, et du goût et de l'odeur de chlore

Modèle de système/Numéro de pièce

BB-S100 / 7100976

Capacité

84 480 gallons / 319 791 litres

Cartouche filtrante de rechange

Cartouche filtrante à bloc de charbon pour la réduction du plomb, des PFOA/PFOS, des kystes, et du goût et de l'odeur de chlore Numéro de modèle BB-C100 / Numéro de pièce 7100980

Température de fonctionnement min./max. de l'eau :

34 à 125 °F (1 à 52 °C) à 80 psi (551,581 kPa)

Pression d'eau min./max.

25 psi à 125 psi/1,75 kg/cm² à 8,78 kg/cm²

Débit de service nominal

4 GPM (15 LPM)

Chute de pression du système au débit de service nominal

10 psig

Le système BB-S100 a été certifié par IAPMO R&T contre NSF/ANSI 42 et 53 pour la réduction des substances énumérées ci-dessous. La concentration des substances indiquées dans l'eau pénétrant dans le système a été réduite à un taux inférieur ou égal à la limite admissible pour l'eau sortant du système, conformément aux normes NSF/ANSI 42 et 53. Le système est certifié conforme aux normes CSA B483.1 et NSF/ANSI 372 pour l'absence de plomb.

L'eau traitée du système doit être testée à intervalles réguliers pour assurer la qualité et la sécurité au point d'utilisation.

Contact :

É.-U.

Watts

815 Chestnut Street

North Andover, MA 01845-6098

Téléphone : 978-689-6066

Télécopieur : 978-975-8350

Watts.com

Canada

Watts

5435 North Service Road

Burlington (ON) L7L 5H7

Téléphone : 888-208-8927

Télécopieur : 905-481-2316

Watts.ca

Pour les achats effectués en Iowa

Nom de l'acheteur : _____

Date : _____

Nom du vendeur : _____

Date _____

Le vendeur doit conserver le PDS signé dans ses dossiers au lieu d'affaires du vendeur pendant au moins deux ans.

SUBSTANCE	AFFLUENT MOYEN	CONCENTRATION DE PROVOCATION D'AFFLUENT NSF/ANSI	EXIGENCE EN POURCENTAGE DE RÉDUCTION/ CONCENTRATION DU PRODUIT D'EAU AUTORISÉE MAXIMALE	% DE RÉDUCTION MOYEN AU DÉBIT GPM (LPM)	DÉBIT DE POINTE ET % DE RÉDUCTION DU PLOMB	
NSF/ANSI 42 — Effets esthétiques						
Chlore	2,0 mg/l	2,0 mg/l ± 10 %	≥ 50 %	97,90 % à 4 g/m (15 l/m)	7 g/m (26,4 l/min) à une réduction de 99,62 % (*) > 74 000 gallons à 8 g/m (280 090 l à 26,4 l/min)	
NSF/ANSI 53 — Effets sur la santé						
Kystes	126 000/l	Minimum 50 000/l	> 99,95 %	99,97 % à 4 g/m (15 l/m)		
Plomb pH 6,5	0,15 mg/l ± 10 %	0,15 mg/l ± 10 %	0,005 mg/l	99,62 % à 4 g/m (15 l/m)		
Plomb pH 8,5	0,15 mg/l ± 10 %	0,15 mg/l ± 10 %	0,005 mg/l	99,62 % à 4 g/m (15 l/m)		
PFOA/PFOS	0,0015 mg/l ± 10 %	0,0015 mg/l ± 10 %	0,00007 mg/l	98,26 % à 4 g/m (15 l/m)		

Les contaminants indiqués ne seront pas dans toute l'eau. Les essais ayant été réalisés en conditions standard de laboratoire, les performances réelles peuvent varier. L'utilisation du système de filtrage doit respecter les lois d'État et locales. Le système de filtrage doit être utilisé uniquement avec l'eau froide. Ne pas utiliser le produit avec de l'eau impropre sur le plan microbiologique ou dont la qualité est inconnue sans procéder à une désinfection adéquate en amont ou en aval du système. Des systèmes certifiés pour la réduction de kystes peuvent être utilisés pour traiter des eaux désinfectées pouvant contenir des kystes filtrables. Rincer la nouvelle cartouche filtrante pendant 10 minutes pour la préparer à l'utilisation. Les médias d'adsorption utilisés ne seront pas régénérés et utilisés.

Réduction non certifiée des substances*

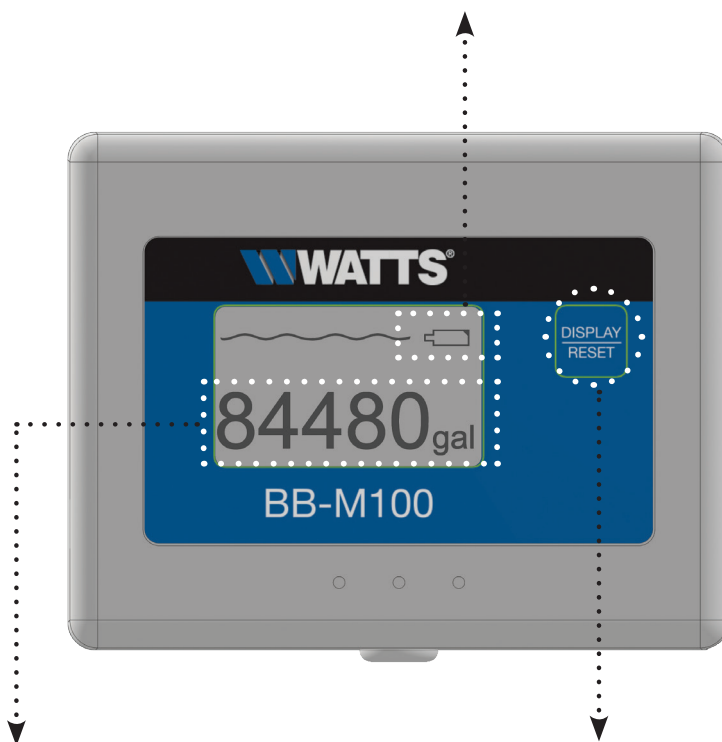
SUBSTANCE	CONCENTRATION MOYENNE DE L'AFFLUENT	DÉBIT D'ALIMENTATION DE POINTE INTERMITTENT G/M (LPM)	CAPACITÉ ESTIMÉE EN GALLONS AU DÉBIT D'ALIMENTATION DE POINTE INTERMITTENT	POURCENTAGE DE RÉDUCTION DE SUBSTANCES ESTIMÉE DE LA NOUVELLE CARTOUCHE AU DÉBIT DE POINTE INTERMITTENT
Chlore	2,0 mg/l de chlore libre	13 g/m (49,2 l/m)	264 000 gallons (999 348 litres)	90 %
Chloramine	3,0 mg/l de chloramine libre	7 g/m (26,4 l/m)	132 000 gallons (499 674 litres)	85 %

*Les revendications ne sont pas testées ni certifiées par IAPMO. Les performances revendiquées sont basées sur les données de test internes du laboratoire indépendant et du fabricant. Les performances réelles dépendent de la qualité de l'eau entrante, des débits, de la conception du système et de l'application. Les résultats peuvent varier.

Consultez le manuel du propriétaire et les instructions d'installation pour l'installation, le fonctionnement, l'entretien et les renseignements sur la garantie.

Indicateur de durée de vie de la pile

Veillez remplacer les piles UNIQUEMENT lorsque l'écran est inactif et qu'il n'y a PAS d'eau circulant dans le débitmètre.



Appareil prêt/démarrage : L'affichage est activé et le compteur affiche 84 480 gallons (319 791 litres) restants

Icône Nombre de gallons/Débit affichée uniquement lorsque l'eau coule.

Alerte de fin de durée de vie du filtre :

L'affichage clignote « 0 gal » avec alarme sonore

AFFICHAGE/RÉINITIALISATION

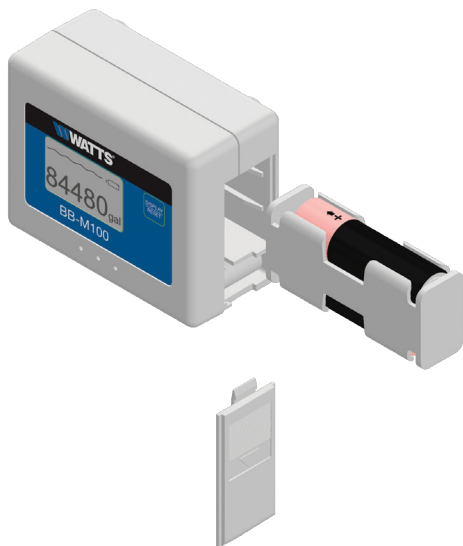
Display (Affichage) : Appuyer pendant 1 seconde chaque fois que l'affichage est inactif pour afficher les gallons actuels restants.

Reset (Réinitialisation) : Fin de la durée de vie du filtre, remplacer le filtre.

Appuyer et tenir pendant 6 secondes pour remettre au maximum de capacité (84 480 gallons [319 791 litres]).

Guide de référence rapide de l'appareil de contrôle du débit volumétrique

1



Insérer les piles

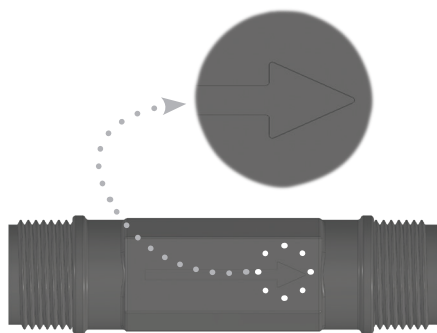
3



a. Ajouter du ruban adhésif doubleface au support de montage et le monter à l'endroit désiré.

b. Brancher le câble au débitmètre.

2



Installer le débitmètre sur la sortie d'eau filtrée avec la flèche pointant dans le sens du débit.

Garantía limitada: Watts (la "Compañía") garantiza que cada producto estará libre de defectos en el material y la mano de obra cuando se usen de forma normal durante el periodo de un año a partir de la fecha del envío original. En caso de que tales defectos se presenten dentro del periodo de garantía, la Compañía, a su discreción, reemplazará o reacondicionará el producto sin cargos.

LA GARANTÍA AQUÍ ESTABLECIDA SE OTORGA EXPRESAMENTE Y ES LA ÚNICA GARANTÍA DADA POR LA COMPAÑÍA CON RESPECTO AL PRODUCTO. LA COMPAÑÍA NO OTORGA NINGUNA OTRA GARANTÍA, EXPRESA O IMPLÍCITA. LA COMPAÑÍA RENUNCIA ESPECÍFICAMENTE A TODAS LAS DEMÁS GARANTÍAS, EXPRESAS O IMPLÍCITAS, INCLUIDAS, ENTRE OTRAS, LAS GARANTÍAS IMPLÍCITAS DE COMERCIABILIDAD E IDONEIDAD PARA UN PROPÓSITO PARTICULAR.

La reparación que se describe en el primer párrafo de esta garantía constituirá la única y exclusiva compensación en caso de incumplimiento de la garantía, y la Compañía no será responsable de ningún daño incidental, especial o consecuente, incluidos, entre otros, la pérdida de ganancias o el costo de reparación o reemplazo de otros bienes dañados si este producto no funciona correctamente, así como otros costos por indemnizaciones laborales, demoras, vandalismo, negligencia, contaminación causada por materias extrañas, daños por condiciones adversas del agua, sustancias químicas o cualquier otra circunstancia de la cual la Compañía no tenga control. Esta garantía quedará anulada por cualquier abuso, uso indebido, aplicación incorrecta, instalación o mantenimiento inadecuado o alteración del producto.

Algunos estados no permiten limitaciones respecto a la duración de una garantía implícita, y algunos estados no permiten la exclusión o la limitación de daños incidentales o consecuentes. Por lo tanto, es posible que las limitaciones anteriores no se apliquen a usted. Esta Garantía limitada le otorga derechos legales específicos, pero usted podría tener otros derechos que varían según el estado. Debe consultar las leyes estatales correspondientes para determinar sus derechos. **SIEMPRE Y CUANDO SE CUMPLA CON LAS LEYES ESTATALES VIGENTES, TODA GARANTÍA IMPLÍCITA QUE NO SEA RENUNCIABLE, COMO LAS GARANTÍAS IMPLÍCITAS DE COMERCIABILIDAD E IDONEIDAD PARA UN FIN EN PARTICULAR, ES DE DURACIÓN LIMITADA A UN AÑO A PARTIR DE LA FECHA DE ENVÍO ORIGINAL.**



EE. UU.: Tel: (978) 689-6066 • Fax: (978) 975-8350 • Watts.com

Canadá: Tel: (888) 208-8927 • Fax: (905) 481-2316 • Watts.ca

América Latina: Tel: (52) 55-4122-0138 • Watts.com